



SAW multimedia filters

Series/Type: K9354D

The following products presented in this data sheet are being withdrawn.

| Ordering Code | Substitute Product | Date of Withdrawal | Deadline Last Orders | Last Shipments |
|-----------------|--------------------|--------------------|----------------------|----------------|
| B39389K9354N201 | | 2011-01-14 | 2011-09-30 | 2012-09-30 |

For further information please contact your nearest EPCOS sales office, which will also support you in selecting a suitable substitute. The addresses of our worldwide sales network are presented at www.epcos.com/sales.

© EPCOS AG 2015. Reproduction, publication and dissemination of this publication, enclosures hereto and the information contained therein without EPCOS' prior express consent is prohibited.

EPCOS AG is a TDK Group Company.

SAW Components
K 9354 D
IF Filter for Audio Applications
38,90 MHz
Data Sheet
Standard

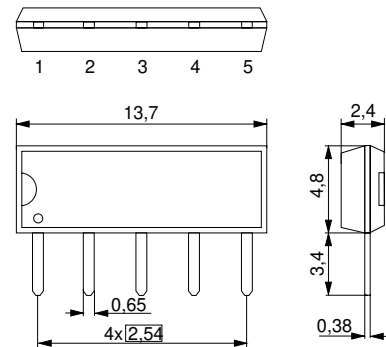
- B/G
- D/K
- I
- L

 Duroplast package **SIP5D**
Features

- TV IF audio filter with pass band for sound carriers at 32,40 MHz (D/K, L), 32,90 MHz (I) and 33,40 MHz (B/G)
- Standard IC package

Terminals

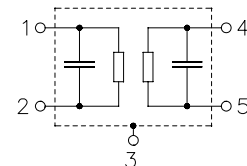
- Tinned CuFe alloy



Dimensions in mm, approx. weight 0,5 g

Pin configuration

- | | |
|---|-----------------------|
| 1 | Input |
| 2 | Input - ground |
| 3 | Chip carrier - ground |
| 4 | Output |
| 5 | Output |



| Type | Ordering code | Marking and package according to | Packing according to |
|----------|-------------------|----------------------------------|----------------------|
| K 9354 D | B39389-K9354-N201 | C61157-A1-A21 | F61074-V8049-Z000 |

Maximum ratings

| | | | | |
|----------------------------|-----------|---------|----|-----------------------|
| Operable temperature range | T_A | -25/+80 | °C | |
| Storage temperature range | T_{stg} | -40/+85 | °C | |
| DC voltage | V_{DC} | 5 | V | between any terminals |
| AC voltage | V_{pp} | 10 | V | between any terminals |

SAW Components
K 9354 D
IF Filter for Audio Applications
38,90 MHz
Data Sheet
Characteristics

Reference temperature:

$T_A = 25 \text{ }^\circ\text{C}$

Terminating source impedance:

$Z_S = 50 \text{ } \Omega$

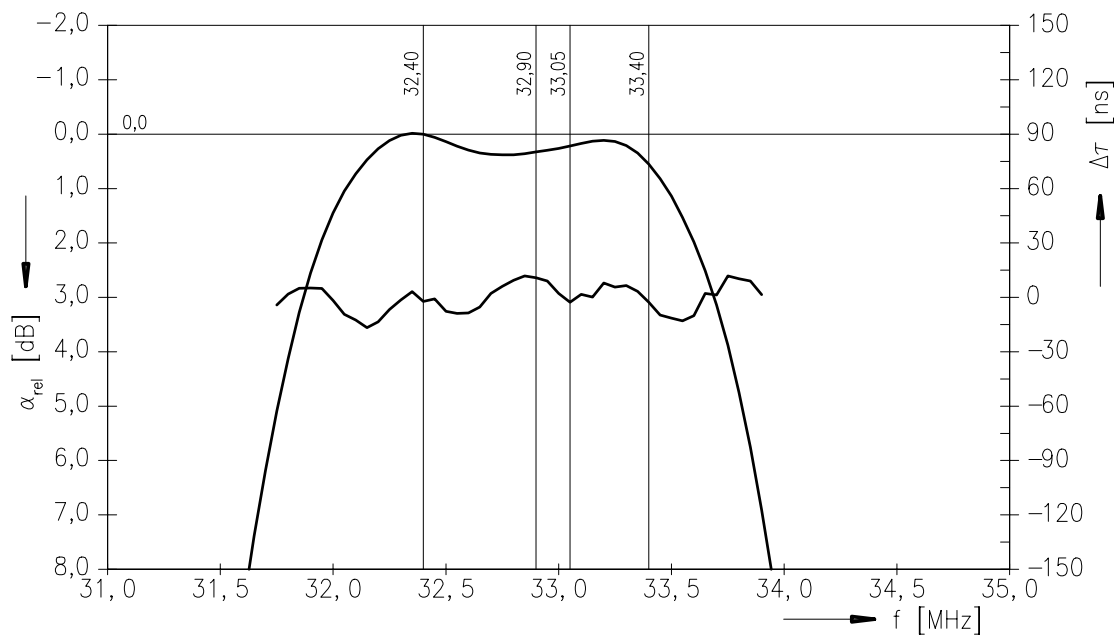
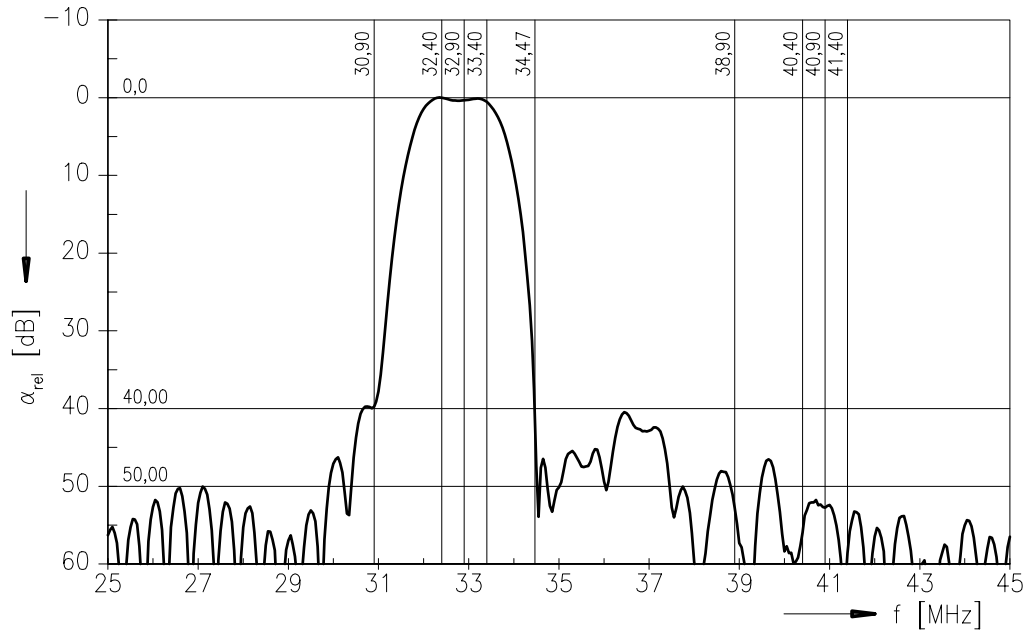
Terminating load impedance:

$Z_L = 2 \text{ k}\Omega \parallel 3 \text{ pF}$

| | | min. | typ. | max. | |
|---|---|------|-------------|------|------------------|
| Insertion attenuation | | | | | |
| | α | | | | |
| Reference level for the following data | 32,40 MHz | 10,8 | 12,3 | 13,8 | dB |
| Relative attenuation | | | | | |
| | α_{rel} | | | | |
| Sound carrier | 33,40 MHz | -0,4 | 0,6 | 1,6 | dB |
| | 32,90 MHz | -0,7 | 0,3 | 1,3 | dB |
| | 33,05 MHz | -0,9 | 0,1 | 1,1 | dB |
| Picture carrier | 38,90 MHz | 42,0 | 52,0 | — | dB |
| Color carrier | 34,47 MHz | 26,0 | 36,0 | — | dB |
| Adjacent picture carrier | 30,90 MHz | 32,0 | 38,0 | — | dB |
| Adjacent sound carrier | 40,40 MHz | 42,0 | 57,0 | — | dB |
| | 40,90 MHz | 42,0 | 55,0 | — | dB |
| | 41,40 MHz | 42,0 | 55,0 | — | dB |
| Lower sidelobe | 25,00 ... 30,90 MHz | 31,0 | 37,0 | — | dB |
| Upper sidelobe | 38,90 ... 45,00 MHz | 39,0 | 46,0 | — | dB |
| Impedance at 32,40 MHz | | | | | |
| | Input: $Z_{IN} = R_{IN} \parallel C_{IN}$ | — | 0,9 14,2 | — | k Ω pF |
| | Output: $Z_{OUT} = R_{OUT} \parallel C_{OUT}$ | — | 3,3 2,9 | — | k Ω pF |
| Temperature coefficient of frequency | | | | | |
| | TC_f | — | -72 | — | ppm/K |

Data Sheet

Frequency response



Published by EPCOS AG**Surface Acoustic Wave Components Division, SAW CE MM PD****P.O. Box 80 17 09, D-81617 München**

© EPCOS AG 2003. All Rights Reserved. Reproduction, publication and dissemination of this brochure and the information contained therein without EPCOS' prior express consent is prohibited.

The information contained in this brochure describes the type of component and shall not be considered as guaranteed characteristics. Purchase orders are subject to the General Conditions for the Supply of Products and Services of the Electrical and Electronics Industry recommended by the ZVEI (German Electrical and Electronic Manufacturers' Association), unless otherwise agreed.

This brochure replaces the previous edition.

For questions on technology, prices and delivery please contact the Sales Offices of EPCOS AG or the international Representatives.

Due to technical requirements components may contain dangerous substances. For information on the type in question please also contact one of our Sales Offices.