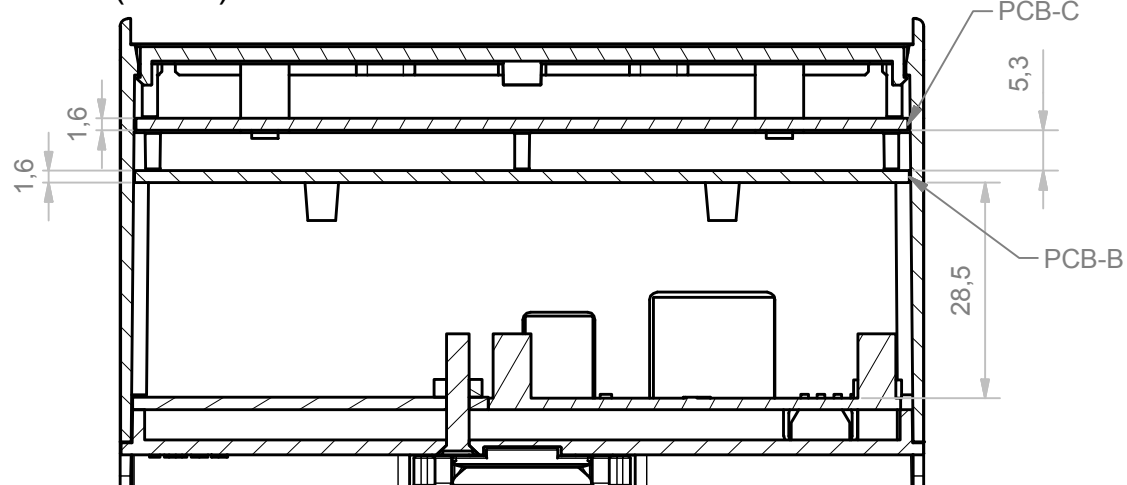
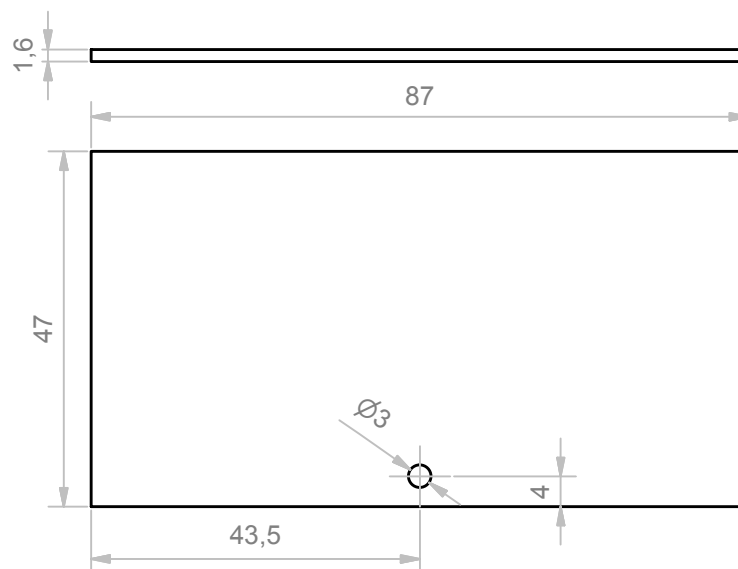


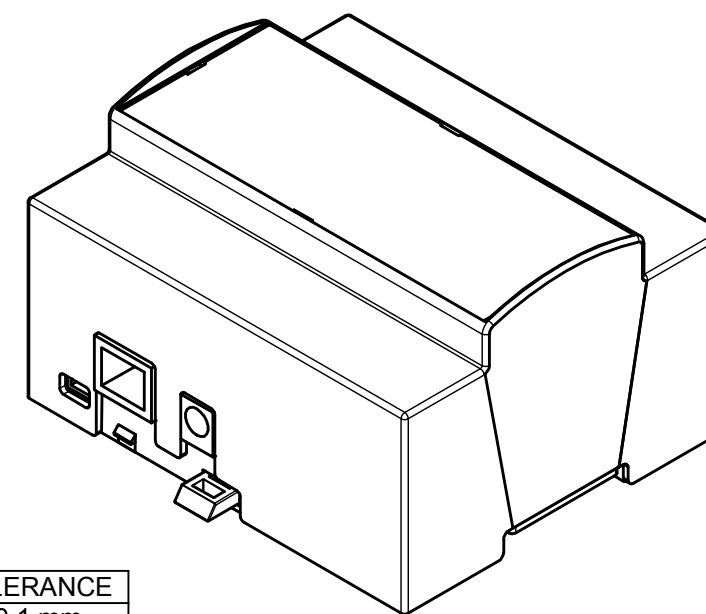
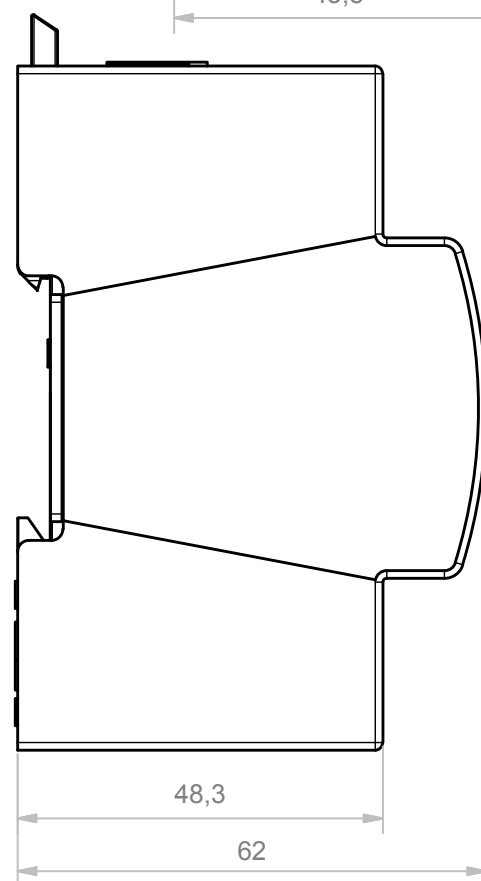
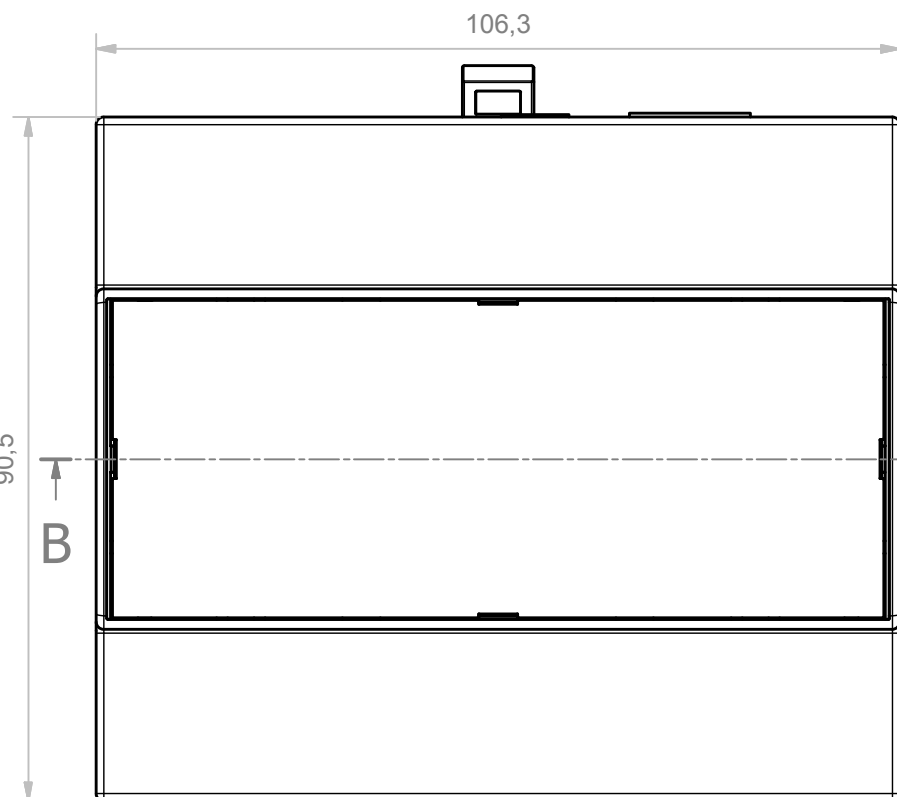
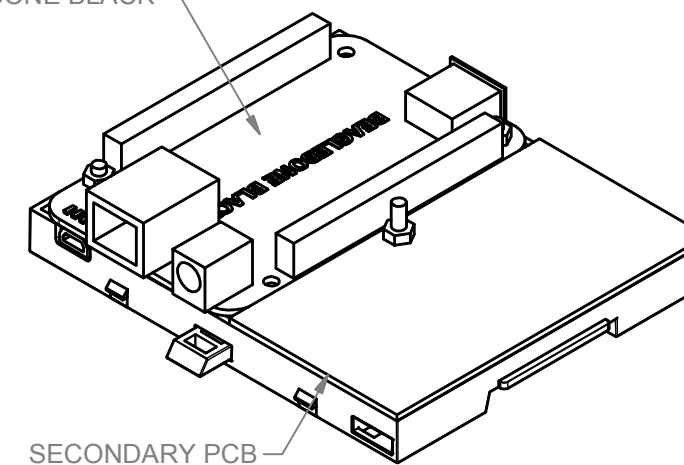
B-B (1:1)



SECONDARY PCB



PCB BEAGLEBONE BLACK



PCB TYPE	PCB DIMENS	TOLERANCE
B	102,5 x 58,7	±0,1 mm
C	102,1 x 42,0	±0,1 mm

Da 0,5 a 3	Oltre 3 fino a 6	Oltre 6 fino a 30	Oltre 30 fino a 120	Oltre 120
± 0,1	± 0,1	± 0,2	± 0,3	± 0,5

RESERVED PROPERTY

The present drawing cannot be reproduced or communicated to 3d parties, even partially, without the authorization of ITALTRONIC Srl. Italtronic reserves to protect its own rights according to the law.



Dimension in mm

SHEET NR.
1 / 1

DRAWING BY
GAD
Manual modification are not allowed

GENERAL TOLERANCE
UNI EN 22768/1
Media (m)

5 4 3 2 1

Date: 30/09/2014
Drawed: Rigato N. Checked: Dalla Montà D.

Replace nr. Scale: Revision description



Denomination: Kit 6M XTS Beaglebone

ITALTRONIC S.R.L.
VIA AUSTRIA 25/D 35127
PADOVA - ITALY
www.italtronic.com

Drawing nr.
M-05632-00