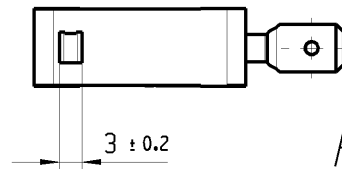
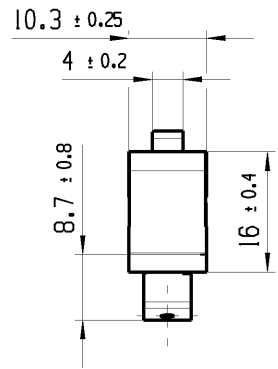
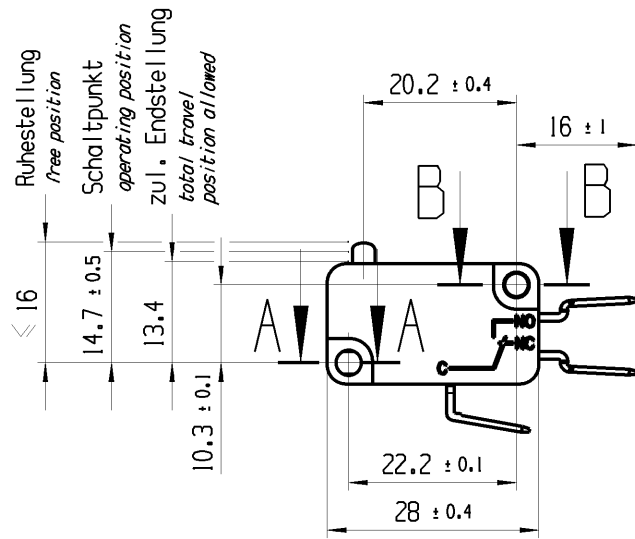


CONFIDENTIAL

VERTRAULICH

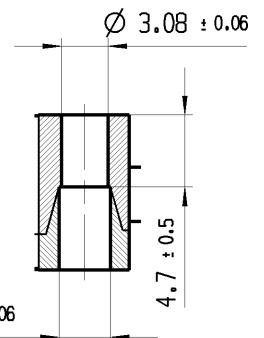
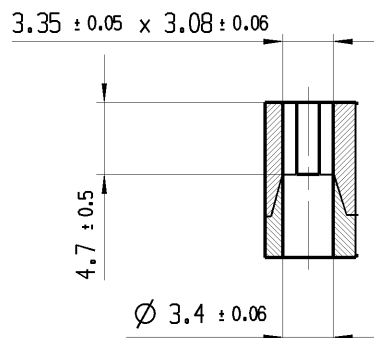
THIS DRAWING IS THE EXCLUSIVE PROPERTY OF MARQUARDT. WITHOUT THEIR CONSENT IT MAY NOT BE REPRODUCED OR GIVEN TO THIRD PARTIES.



Flachstecker 6.3 x 0.8
 EN 61058 / EN 61210 / DIN 46244
 blade terminal 6.3 x 0.8
 EN 61058 / EN 61210 / DIN 46244

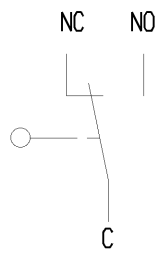
A-A
2:1

B-B
2:1



Aufschrift
marking

1004 μ T100
 10141A 250V AC 5E4



Wechsler 1-polig
single pole changeover
 Schalt-Betaetigungskraft 0.5 bis 1.1 N
actuating force 0.5 up to 1.1 N
 Differenzweg ≤ 0.3 mm
movement differential

Herstellort / -jahr / -woche
*date code of manufacture:
 place / year / week*

-		-		-		1004.1001-XX				
Figure		Type		Customer No.		Art.No.-PI				
General tolerances										
All dimensions are in millimetres	Shape and location 	Angle $\pm 2^\circ$	Edge tolerance 	Length	Radii	Sheet 01	Ident. K			
				0-6	± 0.1			± 0.2	Document number 10041001	Index i
				>6-15	± 0.15			± 0.3		
				>15-30	± 0.2			± 0.5		
				>30-70	± 0.3			$\pm 10\%$		
>70-120	± 0.4									
>120	± 0.8									
i	128895	2019-10-17		HHE		Format DIN A4	Projection 	Scale 1:1	Snap action switch	
h	87269	2013-12-16		BRC						
g	29116	2000-03-23		PFU		System NX V11.0	Replacement of Zg.gl.Nr.v.23.03.2000	MARQUARDT		
f	21670	1992-08-12		BLE						
Index	MEC-No.	Date (YYYY-MM-DD)		Edited by						

Alle Rechte bei Marquardt, auch fuer den Fall von Schutzrechtsmeldungen. Jede Veruegungsbefugnis, wie Kopier- und Weitergaberecht, bei uns.

©