

LogiLink®

Adjustable Under-Desk CPU Mount with CPU Strap

Art. No.: EO0009



Designed for mounting the computer under the desk to save more space in the work area.

Features:

- » Easy to setup and free-up work space
- » CPU holder with safety belt to keep the CPU from falling down and also dust-free
- » Foam pad prevents the device from scratching and accidental dropping (securely hold the device in place)
- » Horizontal use is also applicable if you want to completely hide your CPU under your desk
- » Durable product with maximum capacity of 10kg



Horizontal Use Is Also Applicable



Space saving



* The specifications and pictures are subject to change without notice.
*All trade names referenced are the registered namework of their respective owners.



Made in China

Best Connectivity

LogiLink®

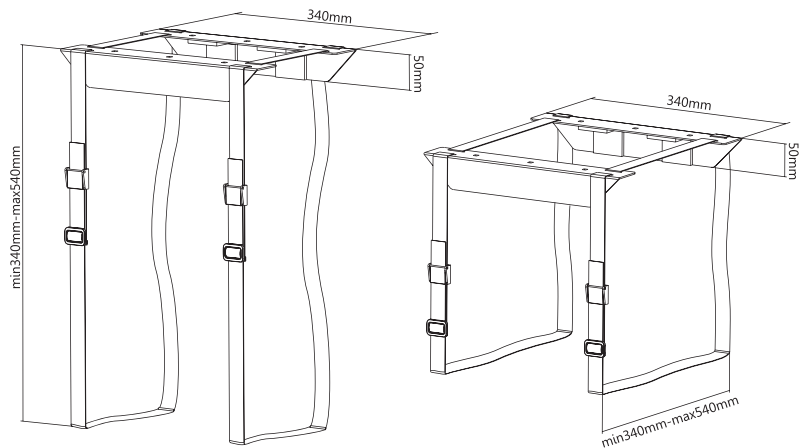
Adjustable Under-Desk CPU Mount with CPU Strap

Art. No.: EO0009



Specification:

Material	Steel
Color	Black
Rated Load	10kg



Package Contents:

- » 1 x Under-Desk CPU Mount
- » 1 x Screw Pack
- » 1 x User Manual

Package Informations:

- » Packing Dimension: mm
- » Packing Weight: kg
- » Carton Dimension: mm
- » Carton Q'ty: pcs
- » Carton Weight: kg



* The specifications and pictures are subject to change without notice.
* All trade names referenced are the registered trademark of their respective owners.



EO0009



4 052792 050622

Made in China

Best Connectivity