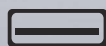




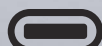
POWERPRO PD V2

Ultra- Fast Charging PD POWER BANK

22.5W 20000mAh



2 X USB PD
Output



Type C PD
In/Output



Micro USB
Input

POWERPRO PD V2

Ultra- Fast Charging PD POWER BANK

20000mAh



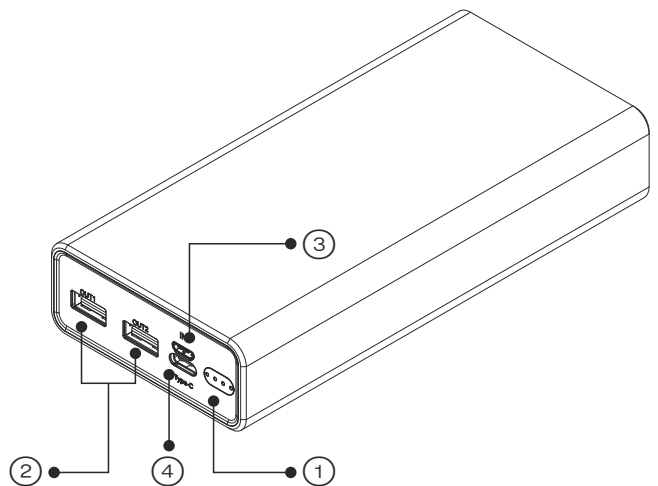
SKU: 4PW-PDPBK1-NN
Model Name: PowerPRO PD V2 20000mAh Black
EAN: 4713095608193

- Ideal for Outdoor Activities.
- Built-In smart chip for: Over Voltage Protection, Over Current Protection, Short Circuit Protection.
- As more mobile devices are becoming equipped with USB-C connectors such as smart phones and tablets, etc. Verico Power PRO PD V2 is designed to support all your needs on the move.
- Maximum 22.5W output.
- It can rapidly charge your mobile devices for your convenience.
- With above-average efficiency, a rugged anti-slippery surface, and Power Delivery function, Verico Power PRO PD V2 power bank is the best option for your bag.
- Efficient Dual Charging: Dual output ports allow simultaneous charging of your devices without sacrificing charging speed

Specification

Battery Capacity:	20,000mAh
Battery Type:	Polymer cell
Color:	Black
Max Input by Port	Micro-USB: 5V/2A. 9V/2A. 12V/1.5A Type-C: 5V/3A. 9V/2A. 12V/1.5A
Max Output by Port:	USB-A: 4.5V/5A, 5V/4.5A, 9V/2A, 12V/1.5A Type-C: 5V/3A, 9V/2.2A, 12V/1.6A
Output Port:	USB Type A x 2 + Type C x 1
Input Port:	Type C + Micro USB
Dimension:	68 x 26 x 145 mm
Weight:	476g

- 1 Battery Indicator & LED
- 2 USB PD Output
- 3 Micro USB Input
- 4 USB Type C PD In/Output



Perks[®]
powered by Verico

CEO: Alexander Laske
Registergericht Cottbus; HRB 14018 CB
USt-ID: DE 815 810 334
Steuernummer 056/116/03462
Bank Accounts:
Commerzbank: €:IBAN: DE78 1804 0000 0150 9660 00;
SUS:IBAN: DE51 1804 0000 0150 9660 ; BIC: COBADEFFXXX

Verico International Co., Ltd.

12F-6., No.872, Zhongzheng Rd., Zhonghe Dist., New Taipei City 235, Taiwan (R.O.C.) Tel:+886-2-2221-0022 Fax:+886-2-2221-0033

Verico and Verico logo are registered by Verico International Co., Ltd. All other trademarks and logos are property of their respective owners. The appearance and specifications of all products are subject to change without notice.