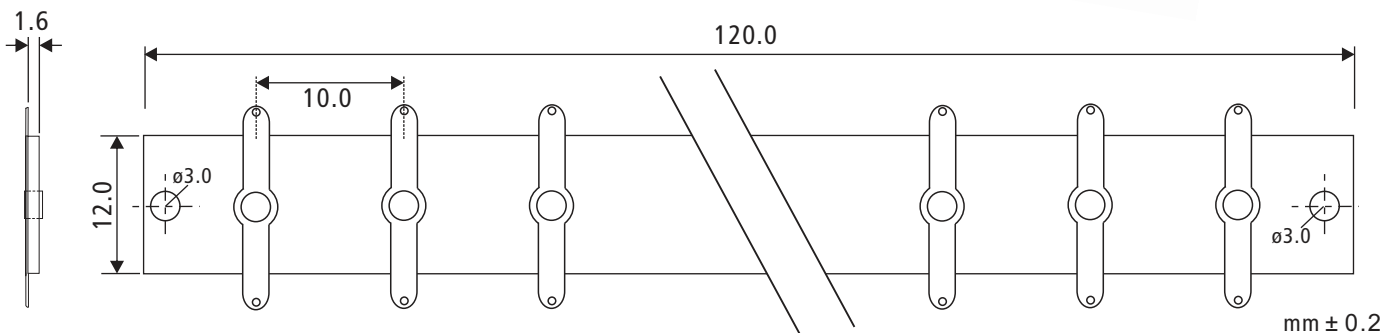


### PCB Terminal Solder Strip, Single-row, 10 tags

#### Feature

- High quality FR-4 Epoxy board base
- Tin plated brass terminal tags for easy soldering
- Suitable for wide range of cross-section of wires



### Specification

PCB Material: FR-4 Epoxy glass fiber

Tag Material: Tinned Brass

PCB Dimension: 120 x 12 mm

PCB Thickness: 1.6 mm  $\pm$  0.1 mm

Contact spacing: 10 mm

Number of Row: 1

Number of Tags: 10

Number of total contacts: 20

