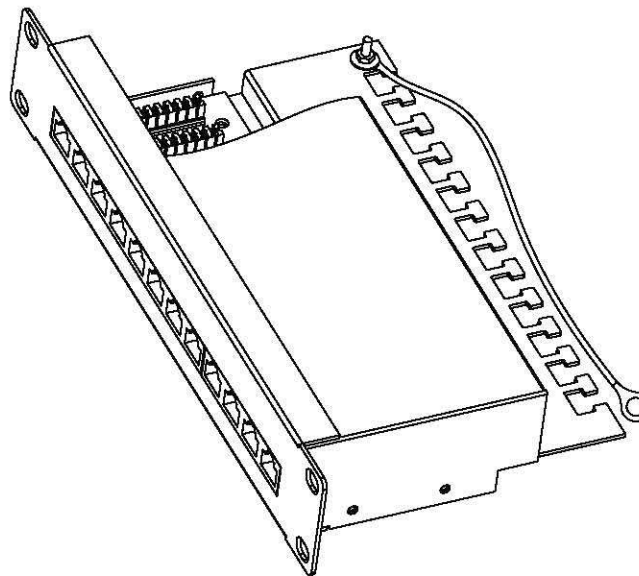
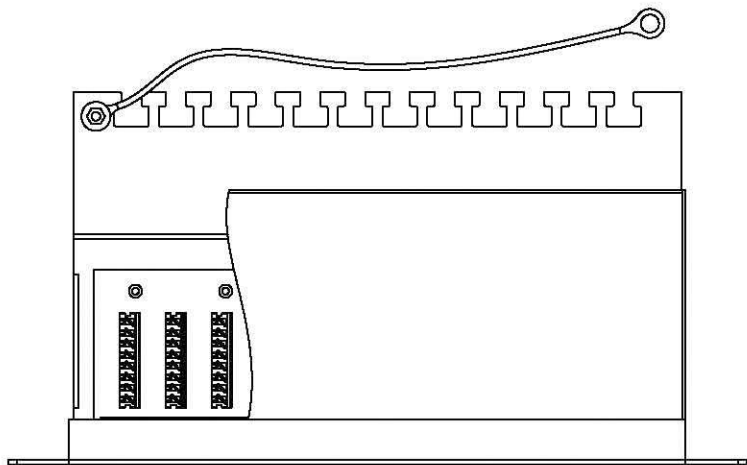


ITEM NO.	COLOR
723188	GREY
723190	BLACK



Specification:

Material:

1. Metal frame: SPCG.
2. Plastic Housing :ABS
3. RJ45 contact material & finished:
 - 3-1. Phosphor Bronze with Nickel plated.
 - 3-2. Contact area : Gold plated.

4. IDC Housing: PC

5. IDC Terminal material & finished:

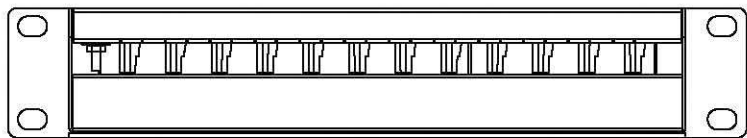
- 5-1. Phosphor Bronze with Tin plated.
- 5-2. Krone tool compatible.
- 5-3. Suitable for 22-26 AWG stranded and solid wire.

Performance:

- a. The sticker color codes combine two wirings of T568A & T568B.
- b. Insertion Force: 900 gms for 8 contacts.
- c. Retention Strength: 7.7 kgs between Jack and Plug.
- d. Operation Temperature: -30. to 60. .

Durability:

- e-1. Jack : 750 cycles Plug-Jack mating and unmating test, Insertion cycles at 20 cycles/minute max. Contact resistance test per 100 cycles.
- e-2. IDC : Max. 200 punching times.
- f. The Cat. 5e performance is in compliance with the ANSI/TIA/EIA 568 C.2 standard.



		Tolerance: X. ±0.5 .X ±0.3 .XX ±0.10		SCALE: FREE	CUSTOMER:		Approved by			
		Angle: X° ±3° .X° ±1°		UNIT: mm	CUSTOMER P/N:		COMPANY P/N:			
REV.		DESCRIPTION		DATE	REV.: 00	DWG. No.:		TITLE:		
					SHEET 1/1		12 PORT PANTCH PANEL (CAT6A)		Checked by	
									Design by	