

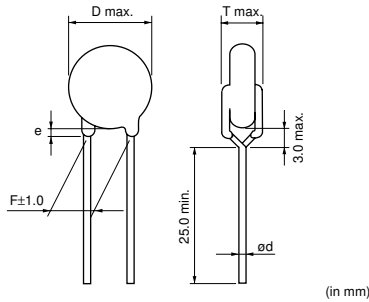
Data Sheet

Safety Standard Certified Type KH (Basic Insulation) (UL, CSA, IEC60384-14 ClassX1/Y2)

DE2E3KH222MA3B (E, 2200pF, AC250V)

- This product is in production, but DE2E3KY222MA3BM02 is more preferred for new design.

RoHS regulation conformity parts



Lead Code	Coating Extension e	ød
A3	Up to the end of crimp	0.6±0.05

■ Dimensions

Body Diameter D	10mm max.
Body Thickness T	7.0mm max.
Lead Spacing F	7.5mm ±1.0mm
Lead Diameter ød	0.6mm ±0.05mm
Coating Extension e	Up to the end of crimp

■ Rated Value

	Murata PN Code	Spec
Temperature Char.	E3	E, +20/-55%
Capacitance	222	2200pF
Capacitance Tol.	M	±20%
Safety Standard Certified Type	KH	X1, Y2: AC250V(r.m.s.)

■ Lead Style

Code	Lead Style
A3	Vertical crimp long

- This data sheet is applied for SAFETY STANDARD CERTIFIED CERAMIC CAPACITOR Type KH used for General Electronics equipment for your design.

<Notice>

- Bonding, resin molding and coating
In case of bonding, molding or coating this product, verify that these processes do not affect the quality of capacitor by testing the performance of the bonded, molded or coated product in the intended equipment. The variation in thickness of adhesive or molding resin or coating may cause an outer coating resin cracking and/or ceramic element cracking of a capacitor in a temperature cycling.
- Please refer to 'Caution' and 'Notice' for the other details.

- The RoHS compliance means that we judge from EU Directive 2002/95/EC the products do not contain lead, cadmium, mercury, hexavalent chromium, PBB and PBDE, except exemptions stated in EU Directive 2002/95/EC annex and impurities existing in natural world.
- This statement does not insure the compliance of any of the listed parts with any laws or legal imperatives developed by any EU members individually with regards to the RoHS Directive.

⚠ Note:

1. This datasheet is downloaded from the website of Murata Manufacturing co., Ltd. Therefore, it's specifications are subject to change or our products in it may be discontinued without advance notice. Please check with our sales representatives or product engineers before ordering.
2. This datasheet has only typical specifications because there is no space for detailed specifications. Therefore, please approve our product specifications or transact the approval sheet for product specifications before ordering.

■ Packaging

Code	Packaging	Minimum Quantity
B	Bulk	250

Please refer to 'Packaging' for the details.

■ Specifications

Please refer to
'Safety standard certified Type KY/KH/KX
Specifications and Test Methods'
PDF file.

■ Standard Certification

	Standard No.	Certified No.	Rated Voltage
UL	UL1414	E37921	AC250V(r.m.s.)
CSA	CSA E60384-14	1343805	
VDE	IEC 60384-14 EN 60384-14	40002796	
BSI	EN 60065 (8.8, 14.2) IEC 60384-14 EN 60384-14	KM 37901	
SEMKO		812163	
DEMKO		314578	
FIMKO	IEC 60384-14	24195	
NEMKO	EN 60384-14	P08209182	
ESTI		08.0708	
NSW	IEC 60384-14 AS3250	6529	

- The certification number might change due to revision of the application standard and changes in the range of acquisition.
- Please contact us when the certification of Chinese Safety Standard or South Korean Safety Standard is necessary.