

REVISION RECORD			
REV	ECN	DESCRIPTION	DRFT DATE

NOTES1:

UL Standard

1. Rated voltage/current : 300V / 15A
2. Withstanding voltage : AC1600V/1Min.
3. Torque value : M3, 4.43lb.in
4. Wire range : 28~12AWG

IEC Standard

1. Pollution Degree	2
Overvoltage Category	III
Rate Impulse Voltage(kV)	4.0KV
Rate Voltage(V)	320V
Rate Current(A)	20A

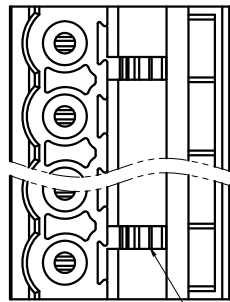
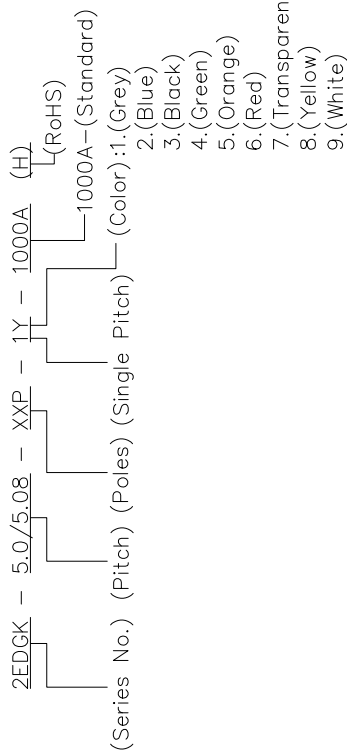
2. Torque value : M3, 0.5N·m
3. Wire range : 2.5mm²

NOTES2:

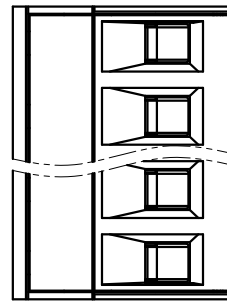
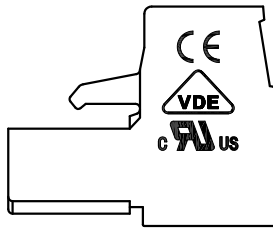
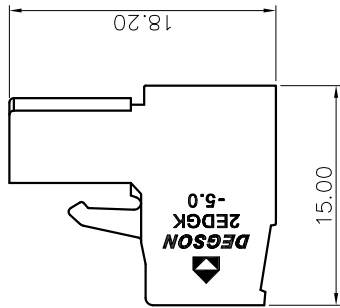
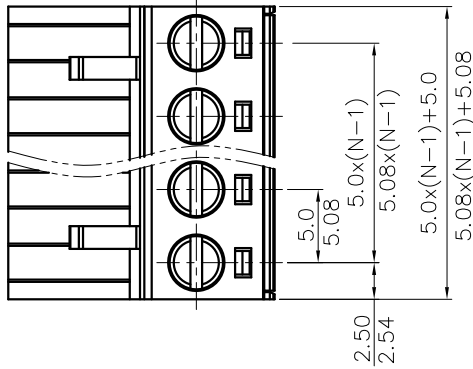
1. Dimension shall be interpreted per ASME Y14.5-2009
2. Pitch : 5.0/5.08mm, Poles : N=02~24P
3. Stripping length : 7~8mm
4. Operating temperature: -40°C~+105°C
5. Undimensioned tolerances:

Pitch range in mm	Nominal dimension range in mm			
	Over	Over	Over	Over
6 TO 10	6	10	30	60
10 TO 24	10	24	30	60
±0.15	±0.20	±0.30	±0.50	±0.70
				±1.00
				±2°

6. RoHS Compliance



02P: Clasp on the left from this view



PART NO.:	/	DEGSON®	NINGBO DEGSON ELECTRICAL CO., LTD
APPD:	/	NAME:	2EDGK-5.0/5.08-XXP-1Y-1000A(H)
CHKD:	/	TITLE:	CUSTOMER DRAWING
DRFT:	/	DRAWING NO.:	REV DO
		THIRD ANGLE PROJECTION	1/1
		DO NOT SCALE	SHEET
		SCALE	1:1

DETACHED LISTS