

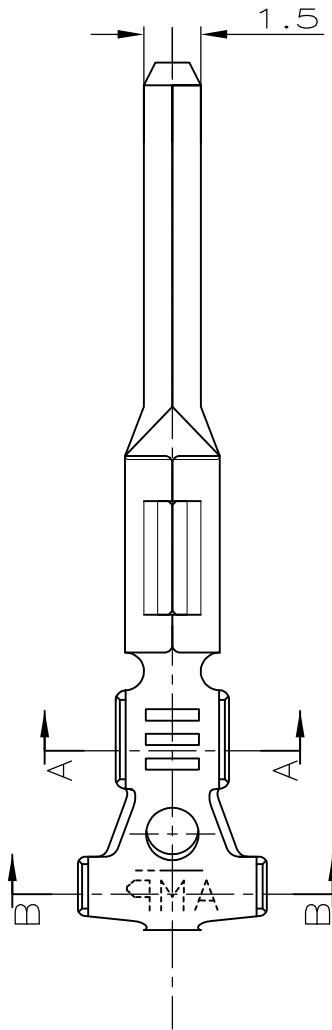
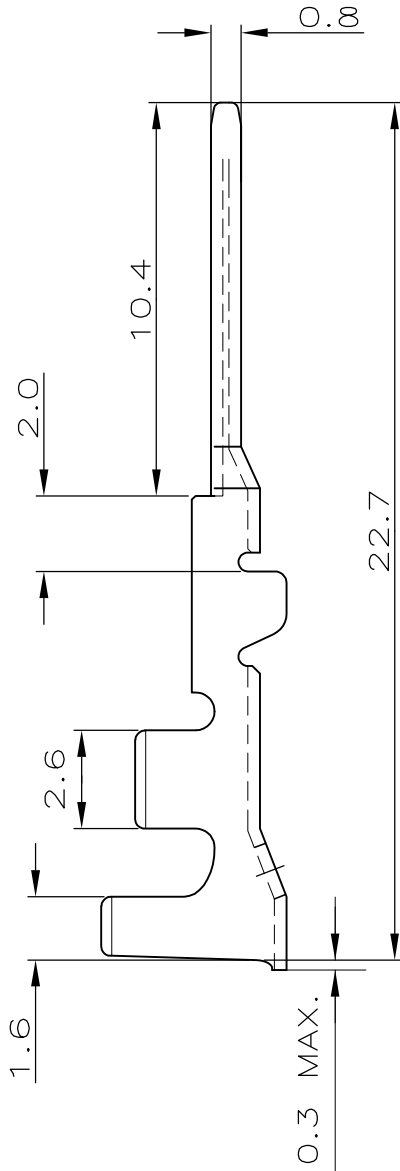
METRIC

LOC

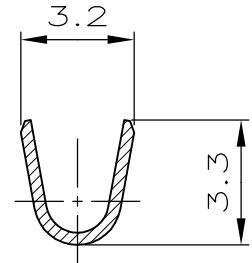
DIST

REVISIONS

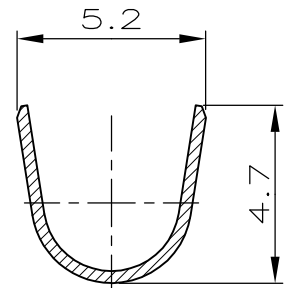
P	LTR	DESCRIPTION	DATE	DWN	APVD
	C1	REVISED PER ECO-11-005033	1APR11	RK	HMR



PARTIAL SECTION A-A



PARTIAL SECTION B-B



RICAVATO DAL P/N 282109-1
(MADE FROM P/N 282109-1)



ADATTO PER GOMMINO PASSACAVO 281934-...
(SUITABLE FOR SINGLE WIRE SEAL 281934-...)

DIAM. ISOLANTE
(INS. DIA. RANGE)



RANGO FILO
(WIRE RANGE)

0.75-1.5mm²

PRESTAGNATO (PRE-TIN PLTD.)	OTTONE (BRASS)	183024-1
FINITURA / COLORE (FINISH / COLOUR)	MATERIALE (MATERIAL)	NUMERO (PART NUMBER)

CUSTOMER DWG.
FOR REFERENCE ONLY

DISEGNO PER CLIENTE
SOLO PER RIFERIMENTO

DIMENSIONS:

mm

DWN BASSANO 9 NOV.90

MATERIAL - FINISH -

CHK A.BRUNI 9 NOV.90

APVD -

PRODUCT SPEC -

APPLICATION SPEC -

WEIGHT -

TE TE Connectivity

NAME
MINI MIC SRS TAB CONTACT
(LOOSE PIECE VERSION)

SIZE	CAGE CODE	DRAWING NO	RESTRICTED TO
A4	00779	C-183024	-

CUSTOMER DRAWING

SCALE 5:1

SHEET 1 OF 1

REV C1

THIS DRAWING IS UNPUBLISHED.

RELEASED FOR PUBLICATION

ALL RIGHTS RESERVED.

© COPYRIGHT - By -