

TA111107



Sample image

Order symbol : TA111107

Product nr : 5814039

Description : Enclosure, ABS

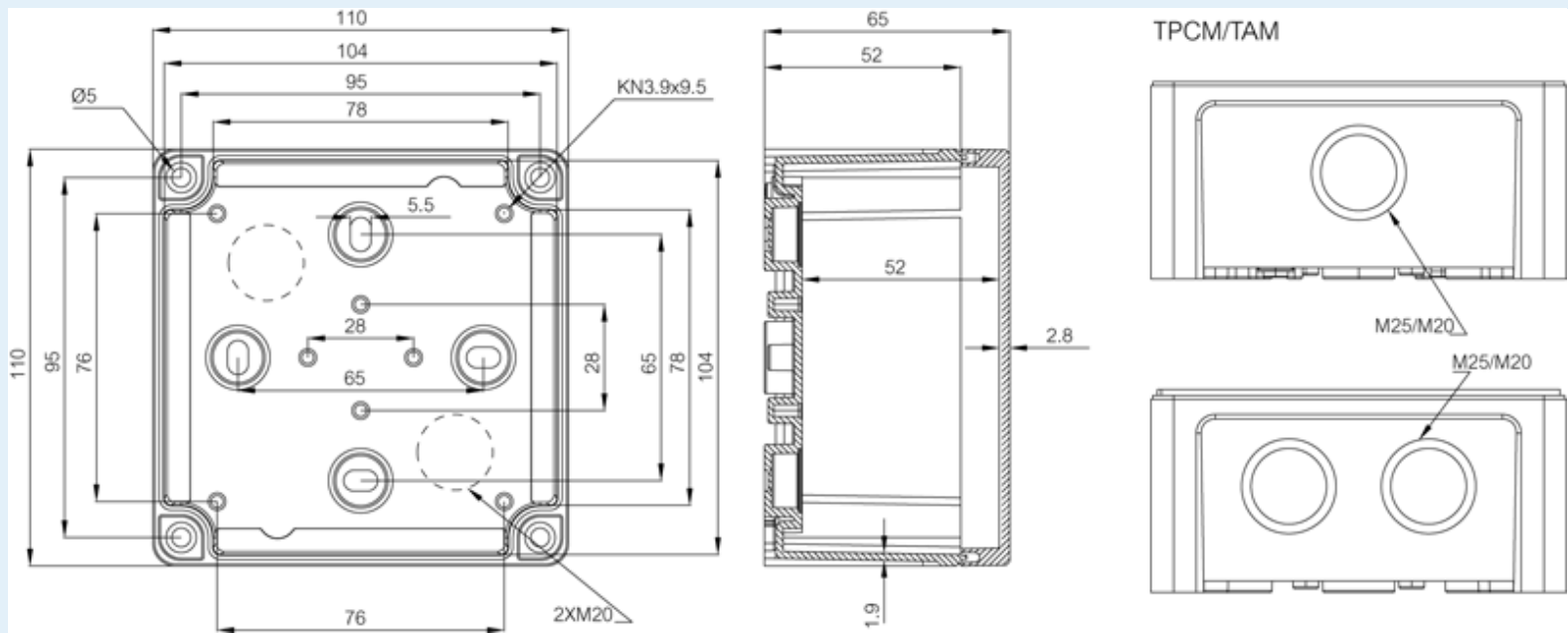
Remarks : Grey cover

EAN : 6418074011473

El. number :

- Finland :
- Denmark : 8212045224
- Sweden : 5814039

Including : Base with PUR gasket and screws for mounting plate/DIN-rail. cover with polyamide cover screws and plastic hinges.



Dimensions :	Height	Width	Depth
mm :	110	110	65
inch :	4.33	4.33	2.56

Accessories :

FP 10674 Wall fastening lug (2 pcs) incl. screws

Materials :

Material : ABS
Base colour :
Cover colour :
Gasket material :

Rating :

Ingress protection (EN 60529): IP65;
Impact Resistance (EN 62262): IK07;
Electrical insulation : Totally insulated
Halogen free (DIN/VDE 0472, Part 815): 1
UV resistance : -
Flammability Rating : UL 94 HB

Temperatures :

Temperature °C (short term) :	-40 ... 80
Temperature °C (continuous) :	
Temperature °F (short term) :	-40 ... 175
Temperature °F (continuous) :	-40 ... 140

Glow Wire Test (IEC 695-2-1) °C : 650 °C

NEMA Class

Certificates :

Certificate FI 40343