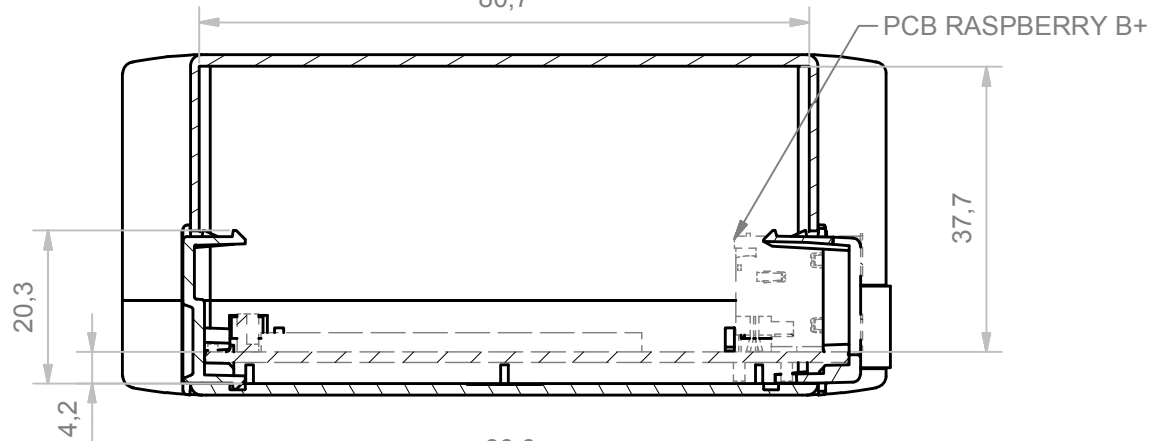


A-A (1:1)

80,7

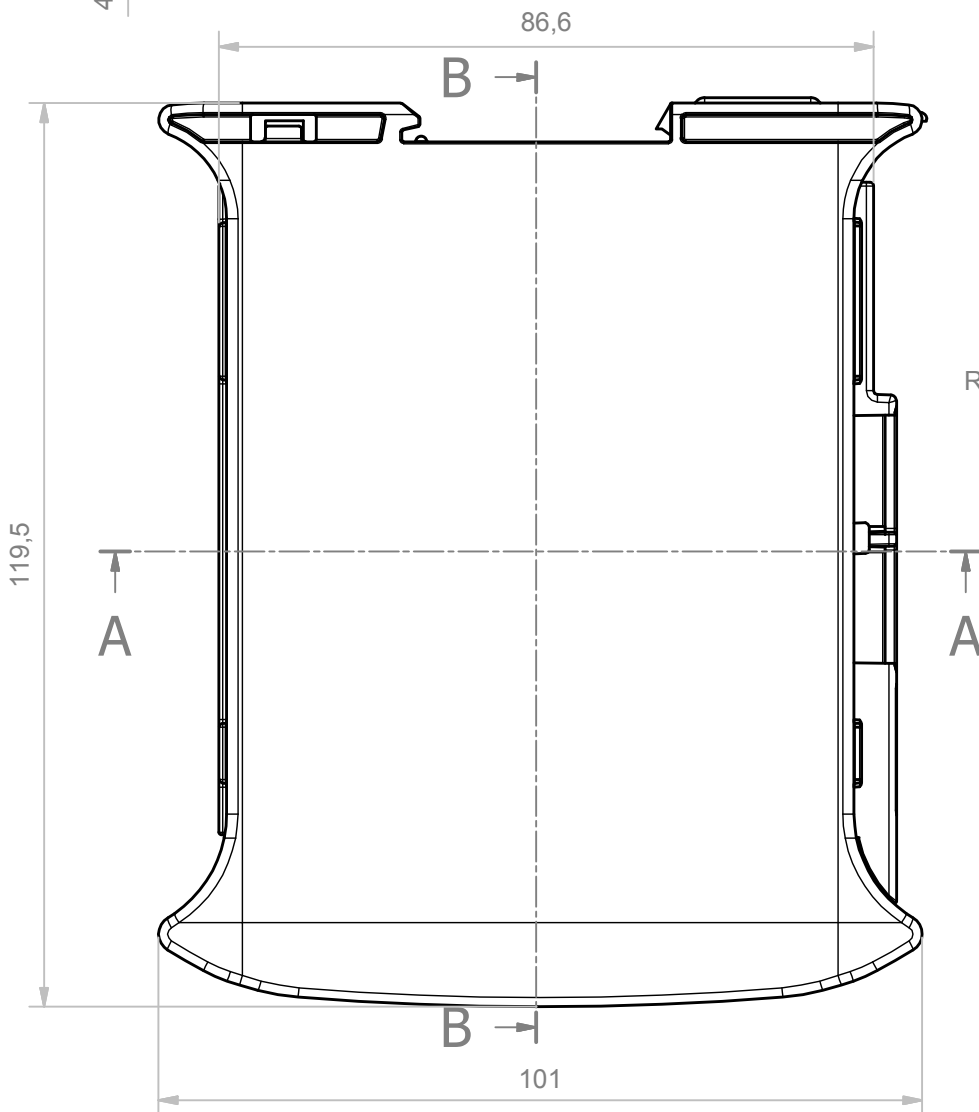


B-B (1:1)

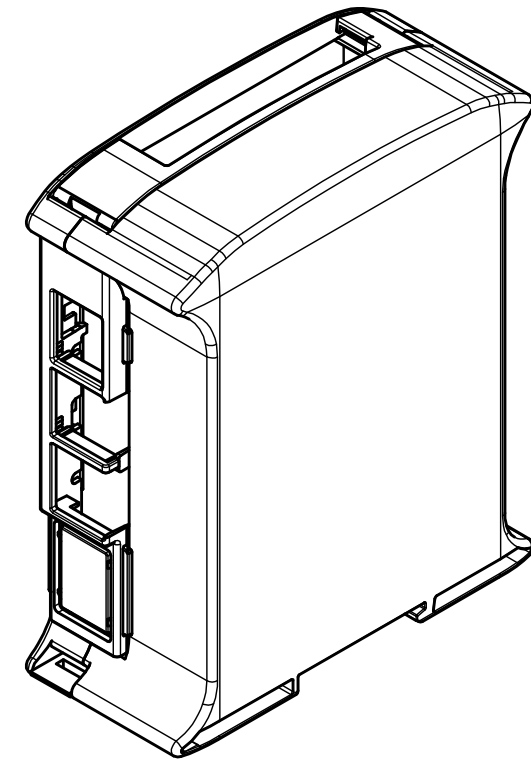
42

37,8

PCB RASPBERRY B+



105,7



RIF.	Q.TY	DESCRIPTION	CODE
1	1	SPRING FOR HOOK RAILBOX	P1000000M
2	1	RED HOOK RAILBOX	R-00249
3	1	BASE RAILBOX 12.5 MM 3L	R-03429
4	1	KIT ACCESSORIES FOR RASPBERRY B + RAILBOX	R-05914
5	1	COVER PANEL STANDARD 3L RAILBOX 32.5 MM	R-03495

RESERVED PROPERTY: The present drawing cannot be reproduced or communicated to 3d parties, even partially, without the authorization of ITALTRONIC Srl. Italtronic reserves to protect its own rights according to the law.

5 4 3 2 1

GENERAL TOLERANCE	UNI EN 22768/1 Media (m)	Drawn:	Checked:	Revision description
SHEET NR.	Dimension in mm	DRAWING BY	Rigato N.	Dalla Montà D.
1 / 1		 Manual modification are not allowed	Date:	Replace nr.
			18/03/2015	Part number:

 UN PARTNER PER IL FUTURO PLASTIC+ Group italtronic	Denomination:
	KIT 45 RAILBOX RASPBERRY PI B+
 Italtronic s.r.l. via Austria 25/D - 35127 Padova - Italy www.italtronic.com	Drawing nr.
	R-05916-00