

TIP140, TIP141, TIP142, (NPN); TIP145, TIP146, TIP147, (PNP)



ON Semiconductor®

<http://onsemi.com>

Darlington Complementary Silicon Power Transistors

Designed for general-purpose amplifier and low frequency switching applications.

Features

- High DC Current Gain –
 $\text{Min } h_{FE} = 1000 @ I_C$
 $= 5.0 \text{ A, } V_{CE} = 4 \text{ V}$
- Collector–Emitter Sustaining Voltage – @ 30 mA
 $V_{CEO(sus)} = 60 \text{ Vdc (Min) – TIP140, TIP145}$
 $= 80 \text{ Vdc (Min) – TIP141, TIP146}$
 $= 100 \text{ Vdc (Min) – TIP142, TIP147}$
- Monolithic Construction with Built–In Base–Emitter Shunt Resistor
- These are Pb–Free Devices*

MAXIMUM RATINGS

| Rating | Symbol | TIP140 TIP145 | TIP141 TIP146 | TIP142 TIP147 | Unit |
|---|----------------|------------------|------------------|------------------|------------------|
| Collector – Emitter Voltage | V_{CEO} | 60 | 80 | 100 | Vdc |
| Collector – Base Voltage | V_{CB} | 60 | 80 | 100 | Vdc |
| Emitter – Base Voltage | V_{EB} | 5.0 | | | Vdc |
| Collector Current | I_C | | | | Adc |
| – Continuous | | 10 | | | |
| – Peak (Note 1) | | 15 | | | |
| Base Current – Continuous | I_B | 0.5 | | | Adc |
| Total Power Dissipation @ $T_C = 25^\circ\text{C}$ | P_D | 125 | | | W |
| Operating and Storage Junction Temperature Range | T_J, T_{stg} | –65 to +150 | | | $^\circ\text{C}$ |

THERMAL CHARACTERISTICS

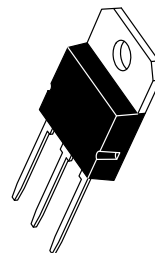
| Characteristic | Symbol | Max | Unit |
|--|-----------------|------|--------------------|
| Thermal Resistance, Junction–to–Case | $R_{\theta JC}$ | 1.0 | $^\circ\text{C/W}$ |
| Thermal Resistance, Junction–to–Ambient | $R_{\theta JA}$ | 35.7 | $^\circ\text{C/W}$ |

Stresses exceeding Maximum Ratings may damage the device. Maximum Ratings are stress ratings only. Functional operation above the Recommended Operating Conditions is not implied. Extended exposure to stresses above the Recommended Operating Conditions may affect device reliability.

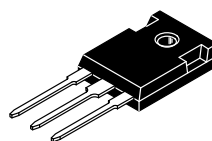
1. 5 ms, $\leq 10\%$ Duty Cycle.

*For additional information on our Pb–Free strategy and soldering details, please download the ON Semiconductor Soldering and Mounting Techniques Reference Manual, SOLDERRM/D.

10 AMPERE DARLINGTON COMPLEMENTARY SILICON POWER TRANSISTORS 60–100 VOLTS, 125 WATTS



SOT-93 (TO-218)
CASE 340D
STYLE 1



TO-247
CASE 340L
STYLE 3

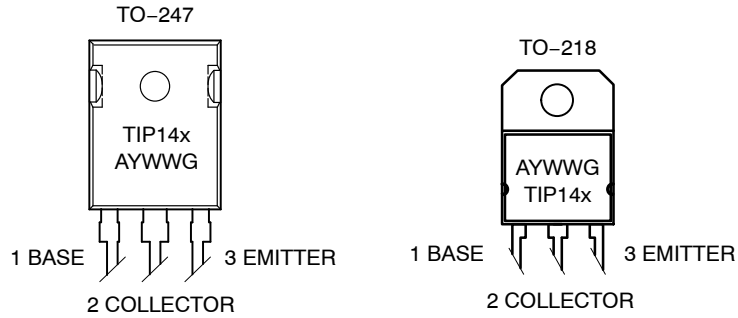
NOTE: Effective June 2012 this device will be available only in the TO-247 package. Reference FPCN# 16827.

ORDERING INFORMATION

See detailed ordering and shipping information in the package dimensions section on page 2 of this data sheet.

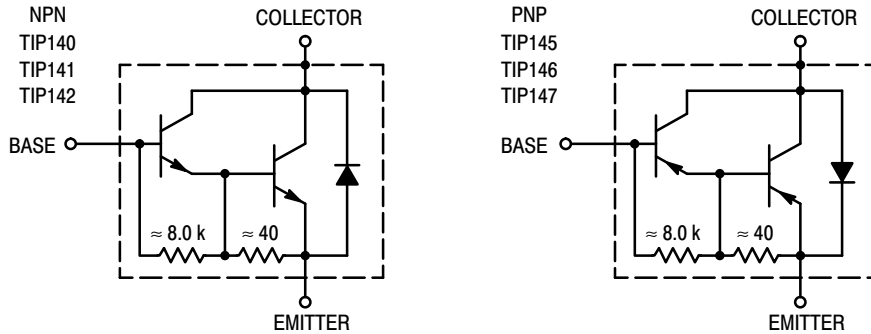
TIP140, TIP141, TIP142, (NPN); TIP145, TIP146, TIP147, (PNP)

MARKING DIAGRAMS



TIP14x = Device Code
 A = Assembly Location
 Y = Year
 WW = Work Week
 G = Pb-Free Package

DARLINGTON SCHEMATICS



ORDERING INFORMATION

| Device | Package | Shipping |
|---------|------------------------------|-----------------|
| TIP140G | SOT-93 (TO-218) (Pb-Free) | 30 Units / Rail |
| TIP141G | SOT-93 (TO-218) (Pb-Free) | 30 Units / Rail |
| TIP142G | SOT-93 (TO-218) (Pb-Free) | 30 Units / Rail |
| TIP145G | SOT-93 (TO-218) (Pb-Free) | 30 Units / Rail |
| TIP146G | SOT-93 (TO-218) (Pb-Free) | 30 Units / Rail |
| TIP147G | SOT-93 (TO-218) (Pb-Free) | 30 Units / Rail |
| TIP140G | TO-247 (Pb-Free) | 30 Units / Rail |
| TIP141G | TO-247 (Pb-Free) | 30 Units / Rail |
| TIP142G | TO-247 (Pb-Free) | 30 Units / Rail |
| TIP145G | TO-247 (Pb-Free) | 30 Units / Rail |
| TIP146G | TO-247 (Pb-Free) | 30 Units / Rail |
| TIP147G | TO-247 (Pb-Free) | 30 Units / Rail |

TIP140, TIP141, TIP142, (NPN); TIP145, TIP146, TIP147, (PNP)

ELECTRICAL CHARACTERISTICS (T_C = 25°C unless otherwise noted)

| Characteristic | Symbol | Min | Typ | Max | Unit |
|--|-----------------------|-----------------|-------------|-------------------|------|
| OFF CHARACTERISTICS | | | | | |
| Collector-Emitter Sustaining Voltage (Note 2) (I _C = 30 mA, I _B = 0) | V _{CEO(sus)} | 60 80 100 | - - - | - - - | Vdc |
| Collector Cutoff Current (V _{CE} = 30 Vdc, I _B = 0) (V _{CE} = 40 Vdc, I _B = 0) (V _{CE} = 50 Vdc, I _B = 0) | I _{CEO} | - - - | - - - | 2.0 2.0 2.0 | mA |
| Collector Cutoff Current (V _{CB} = 60 V, I _E = 0) (V _{CB} = 80 V, I _E = 0) (V _{CB} = 100 V, I _E = 0) | I _{CBO} | - - - | - - - | 1.0 1.0 1.0 | mA |
| Emitter Cutoff Current (V _{BE} = 5.0 V) | I _{EBO} | - | - | 2.0 | mA |

ON CHARACTERISTICS (Note 2)

| | | | | | |
|---|----------------------|-------------|--------|------------|-----|
| DC Current Gain (I _C = 5.0 A, V _{CE} = 4.0 V) (I _C = 10 A, V _{CE} = 4.0 V) | h _{FE} | 1000 500 | - - | - - | - |
| Collector-Emitter Saturation Voltage (I _C = 5.0 A, I _B = 10 mA) (I _C = 10 A, I _B = 40 mA) | V _{CE(sat)} | - - | - - | 2.0 3.0 | Vdc |
| Base-Emitter Saturation Voltage (I _C = 10 A, I _B = 40 mA) | V _{BE(sat)} | - | - | 3.5 | Vdc |
| Base-Emitter On Voltage (I _C = 10 A, V _{CE} = 4.0 Vdc) | V _{BE(on)} | - | - | 3.0 | Vdc |

SWITCHING CHARACTERISTICS

| Resistive Load (See Figure 1) | | | | | | |
|-------------------------------|--|----------------|---|------|---|----|
| Delay Time | (V _{CC} = 30 V, I _C = 5.0 A, I _B = 20 mA, Duty Cycle ≤ 2.0%, I _{B1} = I _{B2} , R _C & R _B Varied, T _J = 25°C) | t _d | - | 0.15 | - | μs |
| Rise Time | | t _r | - | 0.55 | - | μs |
| Storage Time | | t _s | - | 2.5 | - | μs |
| Fall Time | | t _f | - | 2.5 | - | μs |

2. Pulse Test: Pulse Width = 300 μs, Duty Cycle ≤ 2.0%.

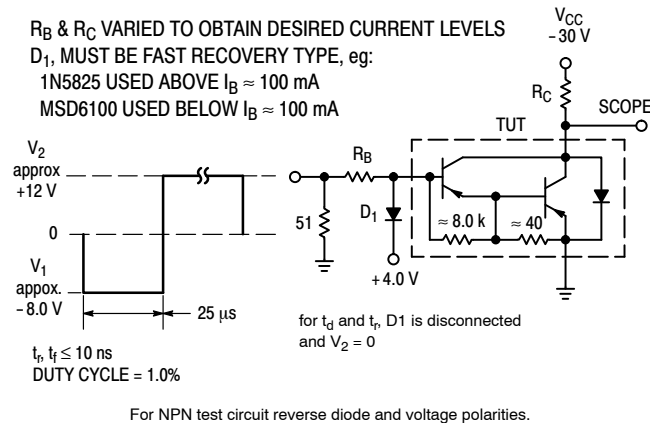


Figure 1. Switching Times Test Circuit

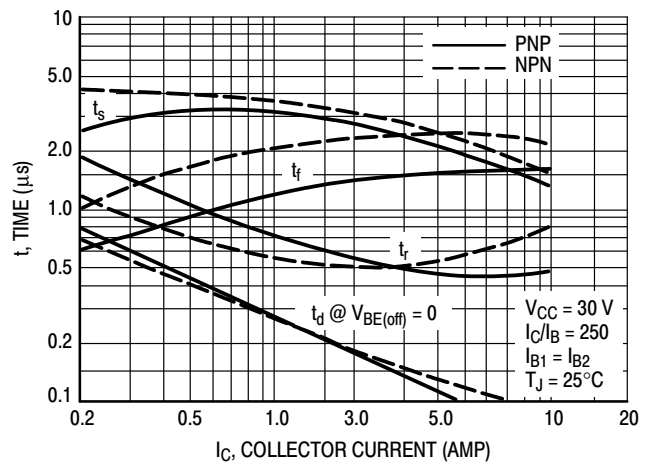


Figure 2. Switching Times

TIP140, TIP141, TIP142, (NPN); TIP145, TIP146, TIP147, (PNP)

TYPICAL CHARACTERISTICS

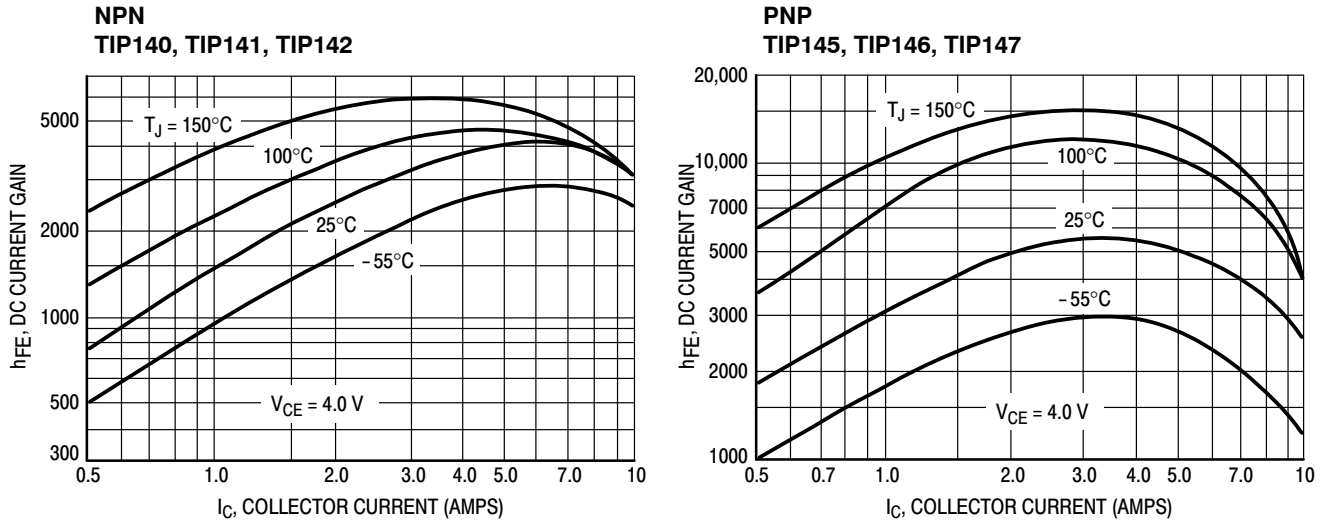


Figure 3. DC Current Gain versus Collector Current

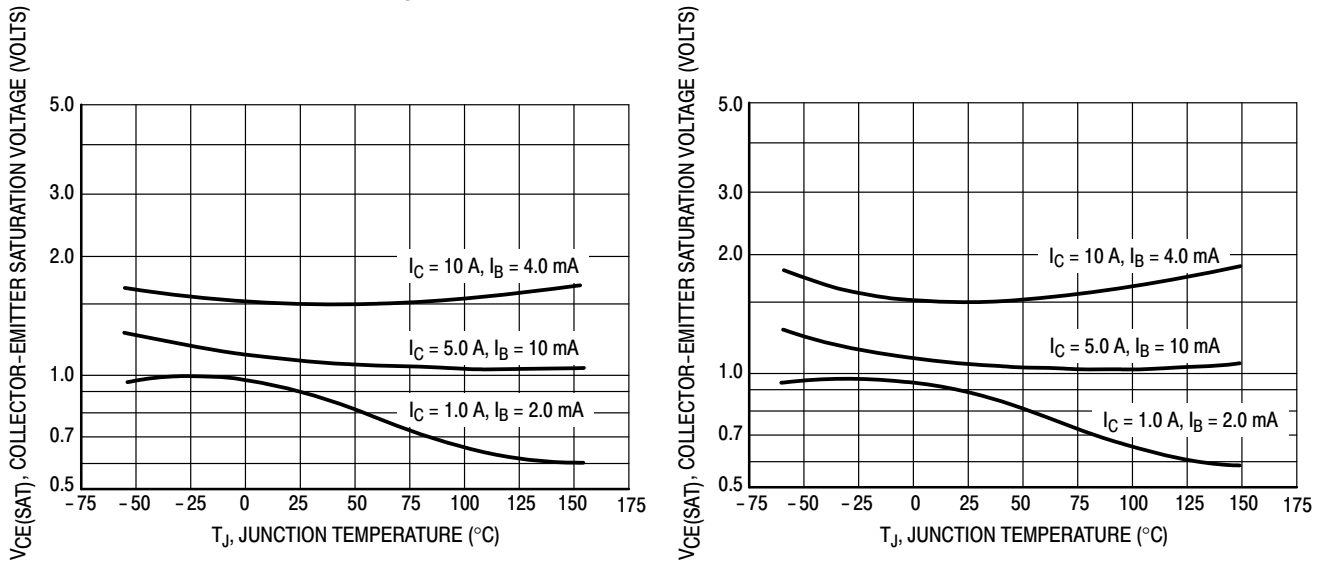


Figure 4. Collector-Emitter Saturation Voltage

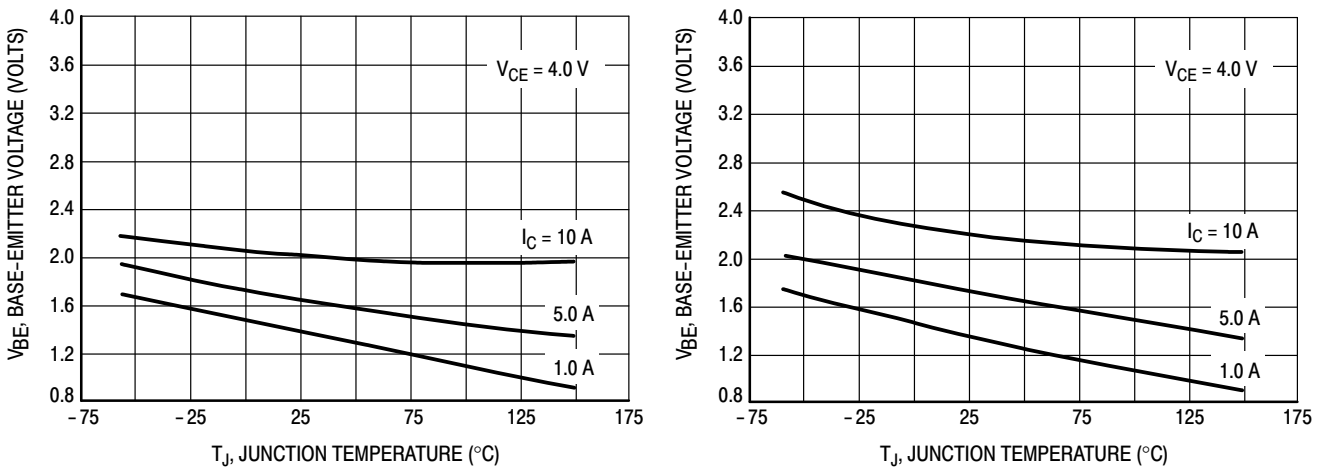


Figure 5. Base-Emitter Voltage

TIP140, TIP141, TIP142, (NPN); TIP145, TIP146, TIP147, (PNP)

ACTIVE-REGION SAFE OPERATING AREA

There are two limitations on the power handling ability of a transistor: average junction temperature and second breakdown. Safe operating area curves indicate $I_C - V_{CE}$ limits of the transistor that must be observed for reliable operation; i.e., the transistor must not be subjected to greater dissipation than the curves indicate.

The data of Figure 6 is based on $T_{J(pk)} = 150^\circ\text{C}$; T_C is variable depending on conditions. At high case temperatures, thermal limitations will reduce the power that can be handled to values less than the limitations imposed by second breakdown.

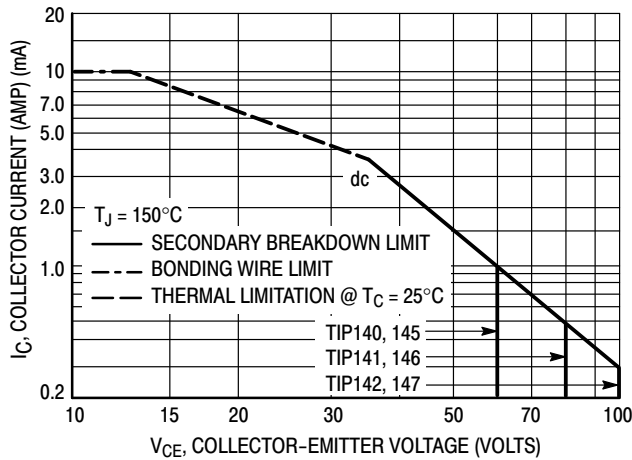


Figure 6. Active-Region Safe Operating Area

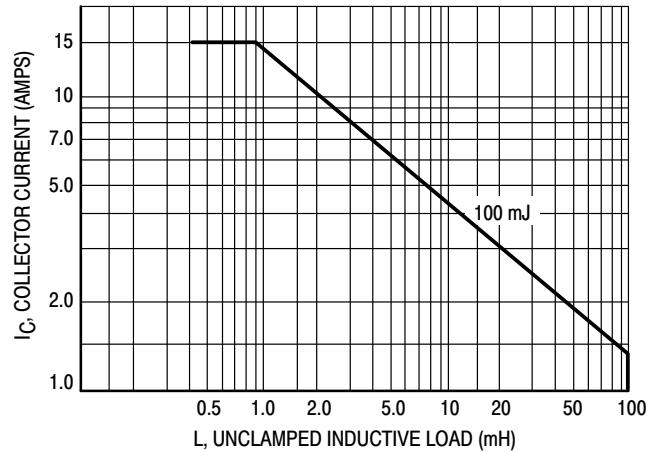
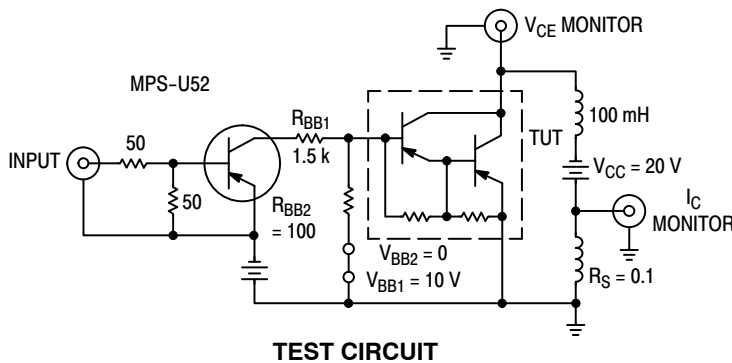
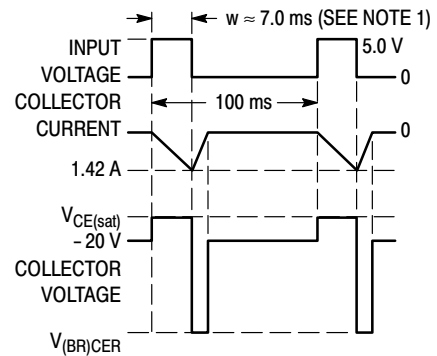


Figure 7. Unclamped Inductive Load



TEST CIRCUIT

NOTE 1: Input pulse width is increased until $I_{CM} = 1.42\text{ A}$.
NOTE 2: For NPN test circuit reverse polarities.



VOLTAGE AND CURRENT WAVEFORMS

Figure 8. Inductive Load

TIP140, TIP141, TIP142, (NPN); TIP145, TIP146, TIP147, (PNP)

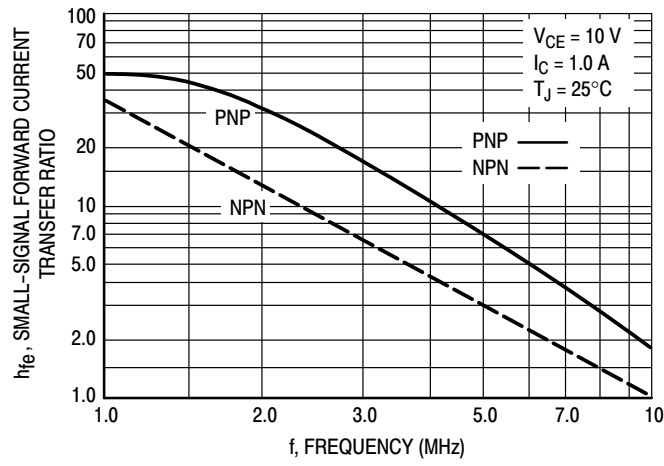


Figure 9. Magnitude of Common Emitter Small-Signal Short-Circuit Forward Current Transfer Ratio

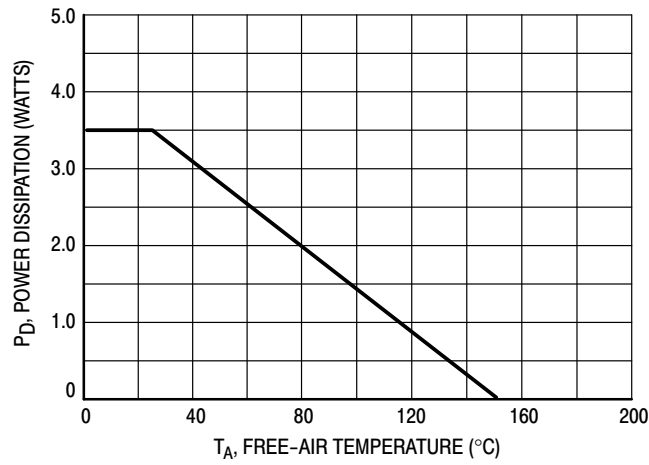
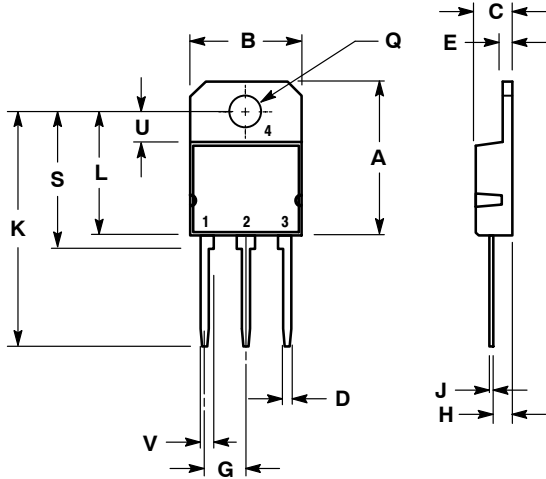


Figure 10. Free-Air Temperature Power Derating

TIP140, TIP141, TIP142, (NPN); TIP145, TIP146, TIP147, (PNP)

PACKAGE DIMENSIONS

SOT-93 (TO-218) CASE 340D-02 ISSUE E

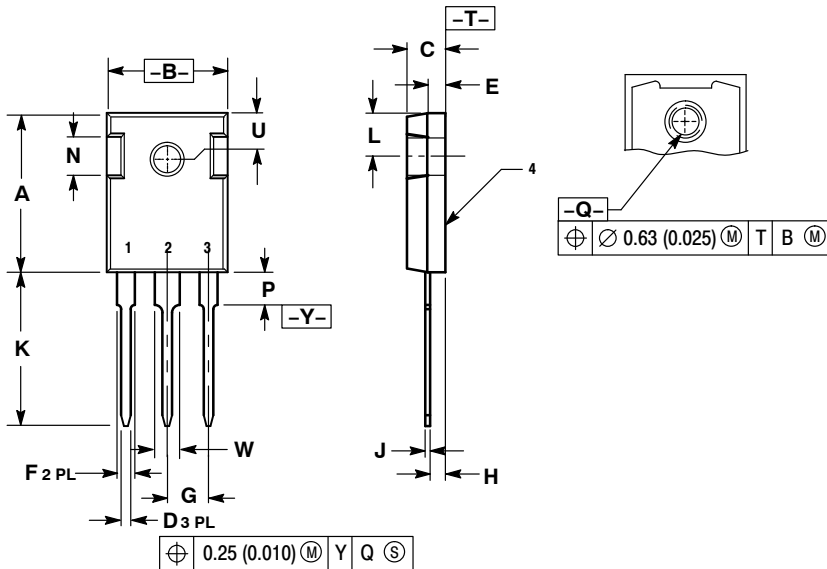


NOTES:
1. DIMENSIONING AND TOLERANCING PER ANSI Y14.5M, 1982.
2. CONTROLLING DIMENSION: MILLIMETER.

| DIM | MILLIMETERS | | INCHES | |
|-----|-------------|-------|-----------|-------|
| | MIN | MAX | MIN | MAX |
| A | --- | 20.35 | --- | 0.801 |
| B | 14.70 | 15.20 | 0.579 | 0.598 |
| C | 4.70 | 4.90 | 0.185 | 0.193 |
| D | 1.10 | 1.30 | 0.043 | 0.051 |
| E | 1.17 | 1.37 | 0.046 | 0.054 |
| G | 5.40 | 5.55 | 0.213 | 0.219 |
| H | 2.00 | 3.00 | 0.079 | 0.118 |
| J | 0.50 | 0.78 | 0.020 | 0.031 |
| K | 31.00 REF | | 1.220 REF | |
| L | --- | 16.20 | --- | 0.638 |
| Q | 4.00 | 4.10 | 0.158 | 0.161 |
| S | 17.80 | 18.20 | 0.701 | 0.717 |
| U | 4.00 REF | | 0.157 REF | |
| V | 1.75 REF | | 0.069 | |

STYLE 1:
PIN 1. BASE
2. COLLECTOR
3. EMITTER
4. COLLECTOR

TO-247 CASE 340L-02 ISSUE F




NOTES:
1. DIMENSIONING AND TOLERANCING PER ANSI Y14.5M, 1982.
2. CONTROLLING DIMENSION: MILLIMETER.

| DIM | MILLIMETERS | | INCHES | |
|-----|-------------|-------|-----------|-------|
| | MIN | MAX | MIN | MAX |
| A | 20.32 | 21.08 | 0.800 | 0.830 |
| B | 15.75 | 16.26 | 0.620 | 0.640 |
| C | 4.70 | 5.30 | 0.185 | 0.209 |
| D | 1.00 | 1.40 | 0.040 | 0.055 |
| E | 1.90 | 2.60 | 0.075 | 0.102 |
| F | 1.65 | 2.13 | 0.065 | 0.084 |
| G | 5.45 BSC | | 0.215 BSC | |
| H | 1.50 | 2.49 | 0.059 | 0.098 |
| J | 0.40 | 0.80 | 0.016 | 0.031 |
| K | 19.81 | 20.83 | 0.780 | 0.820 |
| L | 5.40 | 6.20 | 0.212 | 0.244 |
| N | 4.32 | 5.49 | 0.170 | 0.216 |
| P | --- | 4.50 | --- | 0.177 |
| Q | 3.55 | 3.65 | 0.140 | 0.144 |
| U | 6.15 BSC | | 0.242 BSC | |
| W | 2.87 | 3.12 | 0.113 | 0.123 |

STYLE 3:
PIN 1. BASE
2. COLLECTOR
3. EMITTER
4. COLLECTOR

TIP140, TIP141, TIP142, (NPN); TIP145, TIP146, TIP147, (PNP)

ON Semiconductor and  are registered trademarks of Semiconductor Components Industries, LLC (SCILLC). SCILLC reserves the right to make changes without further notice to any products herein. SCILLC makes no warranty, representation or guarantee regarding the suitability of its products for any particular purpose, nor does SCILLC assume any liability arising out of the application or use of any product or circuit, and specifically disclaims any and all liability, including without limitation special, consequential or incidental damages. "Typical" parameters which may be provided in SCILLC data sheets and/or specifications can and do vary in different applications and actual performance may vary over time. All operating parameters, including "Typicals" must be validated for each customer application by customer's technical experts. SCILLC does not convey any license under its patent rights nor the rights of others. SCILLC products are not designed, intended, or authorized for use as components in systems intended for surgical implant into the body, or other applications intended to support or sustain life, or for any other application in which the failure of the SCILLC product could create a situation where personal injury or death may occur. Should Buyer purchase or use SCILLC products for any such unintended or unauthorized application, Buyer shall indemnify and hold SCILLC and its officers, employees, subsidiaries, affiliates, and distributors harmless against all claims, costs, damages, and expenses, and reasonable attorney fees arising out of, directly or indirectly, any claim of personal injury or death associated with such unintended or unauthorized use, even if such claim alleges that SCILLC was negligent regarding the design or manufacture of the part. SCILLC is an Equal Opportunity/Affirmative Action Employer. This literature is subject to all applicable copyright laws and is not for resale in any manner.

PUBLICATION ORDERING INFORMATION

LITERATURE FULFILLMENT:

Literature Distribution Center for ON Semiconductor
P.O. Box 5163, Denver, Colorado 80217 USA
Phone: 303-675-2175 or 800-344-3860 Toll Free USA/Canada
Fax: 303-675-2176 or 800-344-3867 Toll Free USA/Canada
Email: orderlit@onsemi.com

N. American Technical Support: 800-282-9855 Toll Free
USA/Canada
Europe, Middle East and Africa Technical Support:
Phone: 421 33 790 2910
Japan Customer Focus Center
Phone: 81-3-5817-1050

ON Semiconductor Website: www.onsemi.com
Order Literature: <http://www.onsemi.com/orderlit>
For additional information, please contact your local
Sales Representative