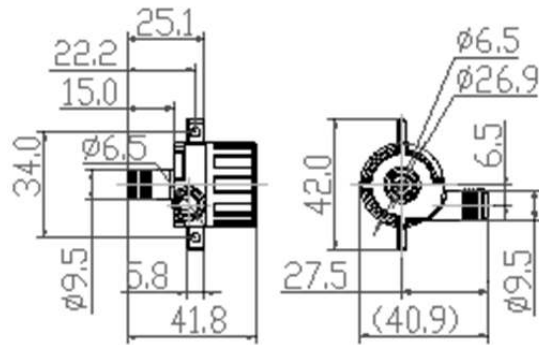


# Miniatur-Wasserpumpe WP-2507



Product Parameter								
Working Voltage Range		DC: 4.5V-12V						
Rating Power		4.5V: 0.5-2W /6V: 1-3W /12V: 2-3W						
Static Water Head		0.4-1.8 M						
Static Flow Rate		0.6-1.8 L/min						
Lifespan		Continuous operation under normal surrounding >20000Hr						
Working Environment		Liquid: From weak acid to weak base, workable both on land and in water (Submersible)						
Max Noise		Under normal working status, 1M distance over the test instrument <35dB						
Max Working Temperature		Under normal surroundings, fluid medium temperature $\leq 75^{\circ}\text{C}$						
Application		Water circulation system, Desktop fountain, Aquarium, Foot spar tub, Small medical equipment						
Size			IP Grade	Inlet		Outlet		Remark
Length ( mm )	Width ( mm )	Height ( mm )		OD ( mm )	ID ( mm )	OD ( mm )	ID ( mm )	
42	41	42	IP68	$\phi 9.5$	$\phi 6.5$	$\phi 9.5$	$\phi 6.5$	Inlet and Outlet with footgrip

## Characteristic Graph

