

**DC Barrel Adaptor, 5.5/2.1 mm to  
6.0/4.4 mm with  $\varnothing 1.4$  mm Contact Pin  
(For Sony Laptop)**



**Specification**

Material

Inner insulator: PE, Transparent

Outer insulator: PVC, Black

Contact: Brass, Nickel plated

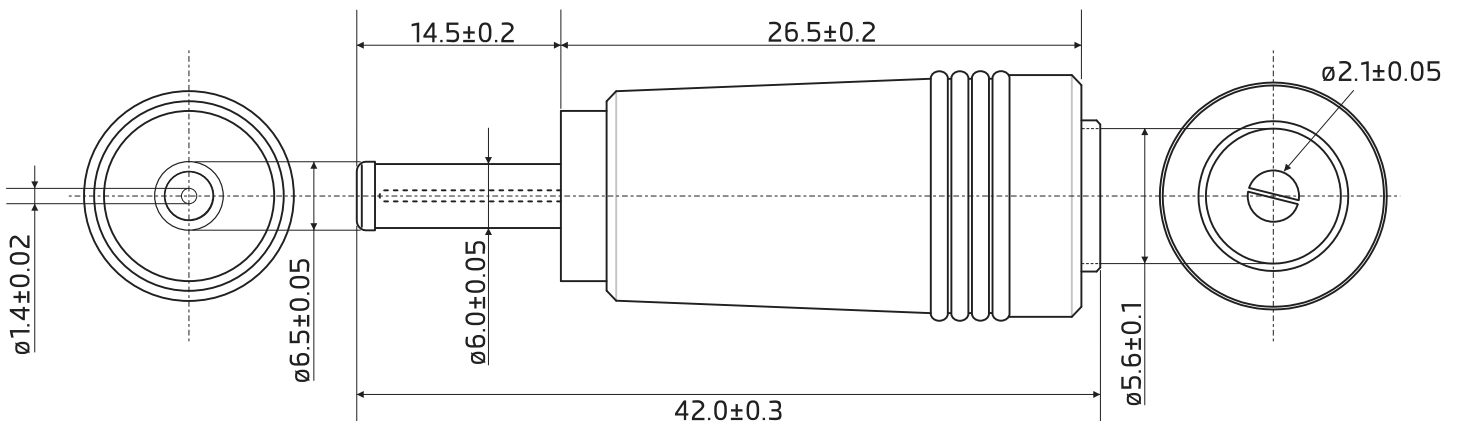
Current rating: 4.7A

Voltage rating: 20 Vdc

Connector resistance: 30 m $\Omega$  max.

Insulation resistance: 100 M $\Omega$  min.

Operation temperature: -20°C ~ 70°C



Dimension: mm