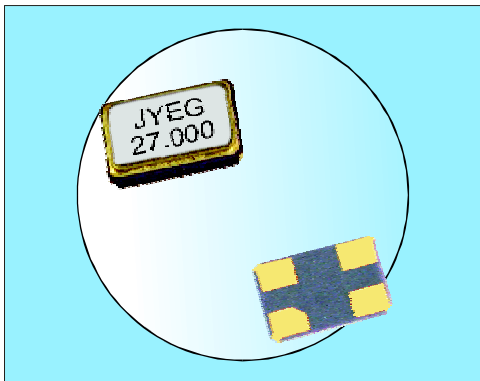


Quartz Crystals

Surface Mount Type Quartz Crystal / SMD6035



Features

- JYEG part number: JYD6
- AT CUT
- Seam seal
- Tape and reel
- Tight tolerance/stability

TYPICAL SPECIFICATIONS

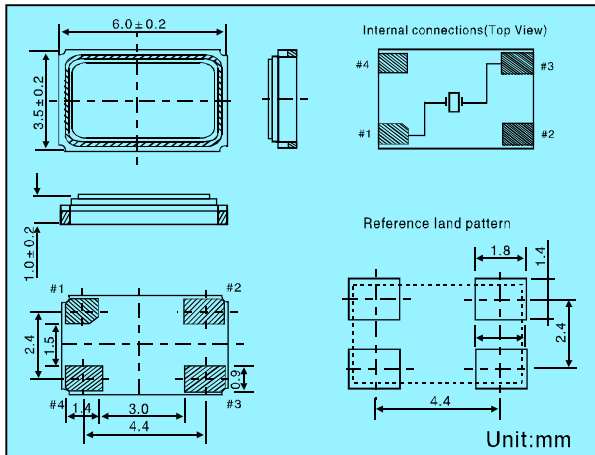
Type	SMD6035
Frequency Range	8~45MHz
Mode of Vibration	AT Fundamental
Resonance Resistance(Ω)	80Max
Frequency Tolerance at 25°C	$\pm 5\text{ppm} \sim \pm 50\text{ppm}$
Shunt Capacitance	7pF Max
Frequency Stability Over Temperature Range	See table
Load Capacitance	6~50pF or Series
Insulation Resistance	$> 500\text{M}\Omega/\text{DC}100\text{V} \pm 10\text{V}$
Drive Level	0.01mW~0.1mW
Aging	$\pm 2\text{ppm}/\text{year Max}$

FREQUENCY STABILITY OVER TEMPERATURE RANGE(AT CUT)

Temperature Range	Frequency Stability					
	$\pm 5\text{ppm}$	$\pm 10\text{ppm}$	$\pm 15\text{ppm}$	$\pm 20\text{ppm}$	$\pm 30\text{ppm}$	$\pm 50\text{ppm}$
0°C~+50°C		☆	☆	☆	☆	☆
-10°C~+60°C		☆	☆	☆	☆	☆
-20°C~+70°C		☆	☆	☆	☆	☆
-40°C~+85°C			☆	☆	☆	☆

Quartz Crystals

SMD6035(JYD6)



TAPE AND REEL DIMENSIONS

