

## Strain Relief Hoods for Modular Plug

### Technical Features

Bend relief for 8P8C modular plugs

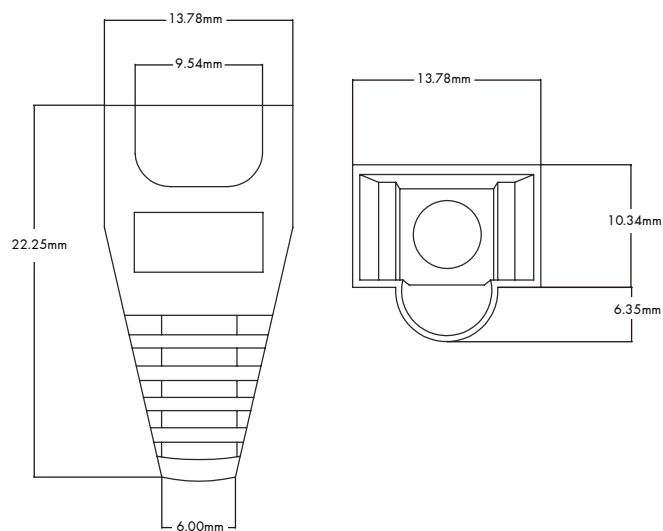
Suitable with shielded and unshielded plugs

Cable diameter:  $\leq 5.8$  mm

Operation temperature:  $-10^{\circ}\text{C}\sim 150^{\circ}\text{C}$

Material: PVC

### Technical Drawings



Part-No.	Color	EAN Code
MP0005	Grey	4052792003857
MP0006	Black	4052792003864
MP0007	Green	4052792003871
MP0008	Blue	4052792003888
MP0009	Yellow	4052792003895
MP0010	Red	4052792003901

## Package Contents

Strain Relief Hoods x 100

## Packaging Informations

Packing Dimension	180 x 220mm
Packing Weight	0.18kg
Carton Dimension	420 x 370 x 220mm
Carton Q'ty	50pcs
Carton Weight	10kg



Made in China

[www.logilink.com](http://www.logilink.com)



RoHS  
compliant

\* The specifications and pictures are subject to change without notice.  
\*All trade names referenced are the registered namework of their respective owners.