

## S-DJ50X S-DJ50X-W S-DJ60X S-DJ80X

ACTIVE REFERENCE MONITOR  
MONITEUR DE RÉFÉRENCE ACTIF  
AKTIVER REFERENZMONITOR  
REFERENCE MONITOR ATTIVO  
ACTIEVE REFERENTIEMONITOR  
MONITOR ACTIVO DE REFERENCIA  
MONITOR ATIVO DE REFERÊNCIA  
АКТИВНЫЙ СТУДИЙНЫЙ МОНИТОР

### <http://pioneerdj.com/support/>

The Pioneer DJ support site shown above offers FAQs, information on software and various other types of information and services to allow you to use your product in greater comfort.

Le site de support DJ de Pioneer indiqué ci-dessus propose une FAQ, des informations sur le logiciel et divers types d'informations et de services qui permettent une utilisation plus confortable de ce produit.

Die oben gezeigte Pioneer DJ-Support-Website enthält häufig gestellte Fragen, Informationen über Software und andere wichtige Informationen und Dienste, die Ihnen helfen, Ihr Produkt optimal zu verwenden.

Il sito di supporto DJ Pioneer indicato qui sopra offre una sezione FAQ, informazioni sul software ed informazioni e servizi di vario tipo, per permettere un uso più confortevole dei nostri prodotti.

De bovengenoemde Pioneer DJ ondersteuningswebsite biedt een overzicht van de vaak gestelde vragen, informatie over software en allerlei andere soorten informatie en diensten die u in staat stellen dit product met meer gemak te gebruiken.

El sitio de asistencia Pioneer DJ mostrado arriba ofrece las preguntas frecuentes, información del software y varios otros tipos de información y servicios que le permitirán usar su producto con mayor confort.

O site de suporte da Pioneer DJ mostrado acima oferece FAQs, informações sobre o software e outros tipos de informações e serviços para permitir utilizar o produto com um maior conforto.

На указанном выше сайте поддержки Pioneer DJ содержатся раздел часто задаваемых вопросов, информация по программному обеспечению, а также различные другие типы информации и услуг, позволяющие использовать ваше изделие более лучшим образом.

Operating Instructions

Mode d'emploi

Bedienungsanleitung

Istruzioni per l'uso

Handleiding

Manual de instrucciones

Manual de instruções

Инструкции по эксплуатации

Thank you for buying this Pioneer product.

Please read through these operating instructions so you will know how to operate your model properly. After you have finished reading the instructions, put them away in a safe place for future reference.

## CAUTION

TO PREVENT THE RISK OF ELECTRIC SHOCK, DO NOT REMOVE COVER (OR BACK). NO USER-SERVICEABLE PARTS INSIDE. REFER SERVICING TO QUALIFIED SERVICE PERSONNEL.

D3-4-2-1-1\_B1\_En

## WARNING

This equipment is not waterproof. To prevent a fire or shock hazard, do not place any container filled with liquid near this equipment (such as a vase or flower pot) or expose it to dripping, splashing, rain or moisture.

D3-4-2-1-3\_A1\_En

## WARNING

To prevent a fire hazard, do not place any naked flame sources (such as a lighted candle) on the equipment.

D3-4-2-1-7a\_A1\_En

## Operating Environment

Operating environment temperature and humidity:  
+5 °C to +35 °C (+41 °F to +95 °F); less than 85 %RH  
(cooling vents not blocked)

Do not install this unit in a poorly ventilated area, or in locations exposed to high humidity or direct sunlight (or strong artificial light)

D3-4-2-1-7c\*\_A1\_En

## CAUTION

The POWER switch on this unit will not completely shut off all power from the AC outlet. Since the power cord serves as the main disconnect device for the unit, you will need to unplug it from the AC outlet to shut down all power. Therefore, make sure the unit has been installed so that the power cord can be easily unplugged from the AC outlet in case of an accident. To avoid fire hazard, the power cord should also be unplugged from the AC outlet when left unused for a long period of time (for example, when on vacation).

D3-4-2-2-2a\*\_A1\_En

## For Finland customers

Laite on liitettävä suojamaadoituskoskettimilla varustettuun pistorasiaan

## For Norway customers

Apparatet må tilkoples jordet stikkontakt

## For Sweden customers

Apparaten skall anslutas till jordat uttag

D3-4-2-1-6b\_A1\_En

Do not attach these speakers to the wall or ceiling, as they may cause injury in the event of a fall.

SGK007\*\_A1\_En

This product is for general household purposes. Any failure due to use for other than household purposes (such as long-term use for business purposes in a restaurant or use in a car or ship) and which requires repair will be charged for even during the warranty period.

K041\_A1\_En

## POWER-CORD CAUTION

Handle the power cord by the plug. Do not pull out the plug by tugging the cord and never touch the power cord when your hands are wet as this could cause a short circuit or electric shock. Do not place the unit, a piece of furniture, etc., on the power cord, or pinch the cord. Never make a knot in the cord or tie it with other cords. The power cords should be routed such that they are not likely to be stepped on. A damaged power cord can cause a fire or give you an electrical shock. Check the power cord once in a while. When you find it damaged, ask your nearest PIONEER authorized service center or your dealer for a replacement.

S002\*\_A1\_En

## WARNING

This product equipped with a three-wire grounding (earthed) plug - a plug that has a third (grounding) pin. This plug only fits a grounding-type power outlet. If you are unable to insert the plug into an outlet, contact a licensed electrician to replace the outlet with a properly grounded one. Do not defeat the safety purpose of the grounding plug.

D3-4-2-1-6\_A1\_En

## VENTILATION CAUTION

When installing this unit, make sure to leave space around the unit for ventilation to improve heat radiation (at least 30 cm at top, 30 cm at rear, and 30 cm at each side).

## WARNING

Slots and openings in the cabinet are provided for ventilation to ensure reliable operation of the product, and to protect it from overheating. To prevent fire hazard, the openings should never be blocked or covered with items (such as newspapers, table-cloths, curtains) or by operating the equipment on thick carpet or a bed.

D3-4-2-1-7b\*\_A1\_En



If you want to dispose this product, do not mix it with general household waste. There is a separate collection system for used electronic products in accordance with legislation that requires proper treatment, recovery and recycling.

Private households in the member states of the EU, in Switzerland and Norway may return their used electronic products free of charge to designated collection facilities or to a retailer (if you purchase a similar new one).

For countries not mentioned above, please contact your local authorities for the correct method of disposal.

By doing so you will ensure that your disposed product undergoes the necessary treatment, recovery and recycling and thus prevent potential negative effects on the environment and human health.

K058b\_A1\_En

# Introduction

## Main Features

Diffuser on the waveguide improves sound directivity and provides spacious sound.

Grooves on the bass-reflex duct improve the airflow and provide loss-less bass performance.

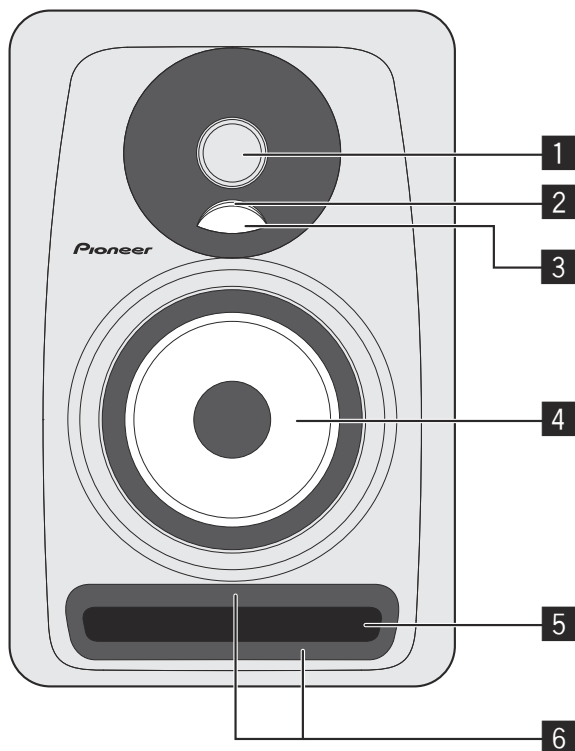
Aramid fiber woofer cone is light and extremely rigid, which provides the best bass response.

## Confirm All Accessories

- Power cord (1)
- Operating Instructions (this document)
- Warranty card

# Names and Functions of Parts

## Front Panel Facilities



### 1 1-inch high-resolution soft dome tweeter

### 2 Illumination (POWER indicator)

Lights up according to whether the power is on or off. The indicator does not light up when the speakers are in standby mode.

### 3 Diffuser

Improves the directionality and diffusion of high-frequency sounds.

### 4 Aramid fiber woofer

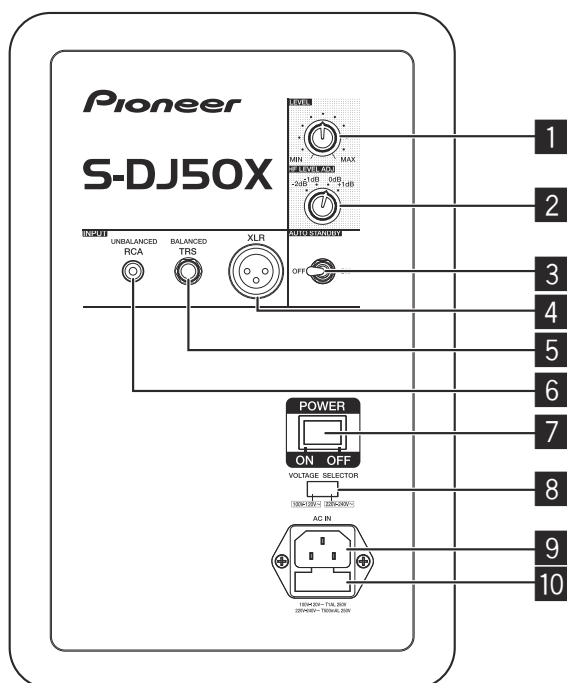
Light and extremely rigid cones provides the best bass response.

### 5 Bass-reflex duct

### 6 Groove

Regulates the flow of air in the bass-reflex duct to enable powerful low-frequency sounds with little loss in sound.

## Rear Panel Facilities



\* The S-DJ50X is shown in the illustration.

### 1 LEVEL dial

Use to adjust the sound level (volume).

### 2 HF LEVEL ADJ dial

Use to adjust high-frequency sounds. You can select from -2 dB, -1 dB, 0 dB, and 1 dB.

### 3 AUTO STANDBY switch

Use to turn the auto standby function on or off. When the auto standby function is turned on, the speakers automatically enter standby mode if no input signal is received for a certain period of time (approximately 25 minutes) and power consumption can be reduced. When an input signal is received while the speakers are in standby mode, the speakers will automatically resume from standby mode.

- The illumination (POWER indicator) on the front panel turns off when the speakers enter standby mode.
- When the input signal is weaker than a certain level, the speakers may not automatically resume from standby mode. In such cases, turn off the [AUTO STANDBY] switch to use the speakers.
- To force the speakers to resume from standby mode, turn off the [POWER] switch on the rear panel once, and turn it back on after a few seconds.

### 4 XLR INPUT connector

XLR type balanced input connector. The connector's pin array is as follows: No. 1 Ground, No. 2 Hot, and No. 3 Cold.

### 5 TRS INPUT jack

Balanced-input phone jack.

### ! CAUTION

Do not connect to both the XLR INPUT connector and the TRS INPUT jack at the same time.

### 6 RCA INPUT jack

RCA pin-type unbalanced input jacks.

### 7 POWER switch

Use to turn the power on and off.

### ! CAUTION

Before turning on the power, make sure to check that the [VOLTAGE SELECTOR] switch is set to the appropriate voltage for the country or region where the speakers will be used. If the [VOLTAGE SELECTOR] switch is not correctly set, contact a Pioneer service center and request that the set voltage be changed and the fuse be replaced. At the time of shipment, a fuse with the appropriate voltage setting is set in the product. When it becomes necessary to change the voltage setting, the fuse must be replaced.

### 8 VOLTAGE SELECTOR switch

This switch is used to select the appropriate voltage settings for the country/region of use. It is not to be used by the customer directly.

### 9 AC IN

Connect the accessory power cord here and to an AC power outlet. Do not plug in the power cord until all other connections have been completed. Use only the furnished accessory power cord.

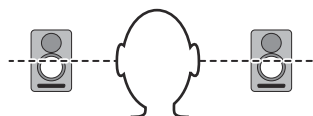
### 10 Fuse holder

# Installation and Connections

## How to Install

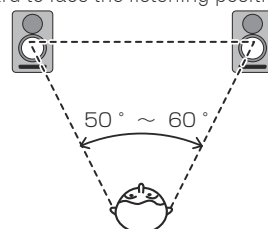
A speaker's playback sound is delicately influenced by conditions in the listening room. To produce optimum listening conditions, take due consideration of the conditions of your installation location before beginning actual installation.

- Place the speakers at ear level.



- For a natural stereo effect, the right and left speakers should be installed in symmetrical and equidistant positions from the listening position.

- Speakers should ideally be located at 30° angles from the listening position (together forming a total 60° angle), and rotated inward to face the listening position.



### CAUTION

To promote proper cooling, please assure that sufficient space is preserved between the speakers and nearby walls or other components (minimum 30 cm or more above, behind, and to right and left sides of each speaker). Leaving insufficient space between the speaker and walls or other components may lead to rising interior temperatures, leading to malfunction or damage.

## Connections

- When making or changing connections, always turn off the power and disconnect the power cord from its outlet.
- Also, be sure to read the operating instructions for the other components to which you are connecting these speakers.
- Do not plug in the power cord until all other connections have been completed.
- Use only the furnished accessory power cord.
- Do not connect to both the XLR INPUT connector and the TRS INPUT jack at the same time.
- Make sure to set the sound level at an appropriate level as the input signals to the XLR INPUT connector (or TRS INPUT jack) and RCA INPUT jack will be mixed together, affecting the sound level.

# Additional Information

## Troubleshooting

- If you think you are experiencing a malfunction with this unit, check the following items. Also check other devices connected to the unit. If the problem persists, consult your dealer for service.
- On occasion, the unit may fail to operate properly due to static electricity or other external conditions. In this event, disconnect the power cord and wait for five minutes or more, then reconnect the power cord and check for proper operation.

Symptom	Items to Check	Remedy
No power	Is power cord connected properly?	Connect power cord to outlet.
No sound from connected audio devices, or sound is very small.	Has connected audio device been set properly?	Set device's external input and sound volume properly.
	Is connection cable connected properly?	Connect cables properly.
	Are connectors or plugs dirty?	Clean connectors and plugs before connecting.
	Is the sound volume set properly?	Turn the [LEVEL] dial on the rear panel clockwise and turn up the volume.
	Is the power turned on?	Turn on the [POWER] switch on the rear panel.
Illumination (POWER indicator) remains turned off.	Is the auto standby function on?	Turn off the [POWER] switch on the rear panel once, wait a few seconds, and then turn it back on.
	Is the power turned on?	Turn on the [POWER] switch on the rear panel.
Speakers do not resume (turn on) from standby mode.	Is the auto standby function on?	Turn off the [POWER] switch on the rear panel once, wait a few seconds, and then turn it back on.
	Is the level of the input signal low?	Increase the level of the input signal. Turn off the [AUTO STANDBY] switch to turn off the auto standby function.
Sound is distorted.	Is the sound level set properly?	Slowly turn the [LEVEL] dial on the rear panel counterclockwise and turn down the volume.
	Is the output level of the connected audio device set properly?	Adjust the output level of the connected audio device properly.
Feedback (continuous howling sound)	Is the sound volume set properly?	Slowly turn the [LEVEL] dial on the rear panel counterclockwise and turn down the volume.

---

---

## Trademarks

- Pioneer is a registered trademark of PIONEER CORPORATION.
- Other listed company names and a product name are the registered trademark of the companies or trademarks.

---

---

## Specifications

	<b>S-DJ50X/S-DJ50X-W</b>	<b>S-DJ60X</b>	<b>S-DJ80X</b>
Type	Bi-amp 2-way active speaker		
<b>Amplifier</b>			
LF amp	30 W	50 W	70 W
HF amp	15 W	20 W	20 W
Input connectors (balanced input)	XLR × 1, TRS (1/4 inch Phone) × 1		
Input connectors (unbalanced input)	RCA × 1		
Impedance	10 kΩ		
<b>Speaker</b>			
Enclosure	Bass reflex		
Enclosure material	MDF		
Woofer (LF driver)	13 cm cone	15 cm cone	20 cm cone
Tweeter (HF driver)	2.5 cm soft dome		
Playback response	50 Hz to 20 kHz	45 Hz to 20 kHz	40 Hz to 20 kHz
<b>Power unit/other</b>			
Supported voltages	100 V to 120 V (50 Hz to 60 Hz) / 220 V to 240 V (50 Hz to 60 Hz) conversion		
Power consumption	100 W	140 W	160 W
Power consumption during standby mode	0.5 W or less		
External dimensions W × H × D	197 mm × 301 mm × 262 mm	228 mm × 342 mm × 295 mm	276 mm × 401 mm × 315 mm
Weight	6.5 kg	8.5 kg	11.8 kg

Specifications and design subject to possible modification without notice, due to improvements.  
© 2013 PIONEER CORPORATION. All rights reserved.



Nous vous remercions d'avoir acheté ce produit Pioneer.  
Veuillez lire attentivement ce mode d'emploi de manière à pouvoir utiliser votre modèle correctement. Après avoir lu ces explications, conservez-les en lieu sûr pour éventuellement les consulter plus tard.

## ATTENTION

POUR ÉVITER TOUT RISQUE D'ÉLECTROCUTION, NE PAS ENLEVER LE COUVERCLE (NI LE PANNEAU ARRIÈRE). AUCUNE PIÈCE RÉPARABLE PAR L'UTILISATEUR NE SE TROUVE À L'INTÉRIEUR. CONFIER TOUT ENTRETIEN À UN PERSONNEL QUALIFIÉ UNIQUEMENT.

D3-4-2-1-1\_B1\_Fr

## AVERTISSEMENT

Cet appareil n'est pas étanche. Pour éviter les risques d'incendie et de décharge électrique, ne placez près de lui un récipient rempli d'eau, tel qu'un vase ou un pot de fleurs, et ne l'exposez pas à des gouttes d'eau, des éclaboussures, de la pluie ou de l'humidité.

D3-4-2-1-3\_A1\_Fr

## AVERTISSEMENT

Pour éviter les risques d'incendie, ne placez aucune flamme nue (telle qu'une bougie allumée) sur l'appareil.

D3-4-2-1-7a\_A1\_Fr

## PRÉCAUTION DE VENTILATION

Lors de l'installation de l'appareil, veillez à laisser un espace suffisant autour de ses parois de manière à améliorer la dissipation de chaleur (au moins 30 cm sur le dessus, 30 cm à l'arrière et 30 cm de chaque côté).

## AVERTISSEMENT

Les fentes et ouvertures du coffret sont prévues pour la ventilation, pour assurer un fonctionnement stable de l'appareil et pour éviter sa surchauffe. Pour éviter les risques d'incendie, ne bouchez jamais les ouvertures et ne les recouvrez pas d'objets, tels que journaux, nappes ou rideaux, et n'utilisez pas l'appareil posé sur un tapis épais ou un lit.

D3-4-2-1-7b\*\_A1\_Fr

## Milieu de fonctionnement

Température et humidité du milieu de fonctionnement : De +5 °C à +35 °C (de +41 °F à +95 °F) ; Humidité relative inférieure à 85 % (orifices de ventilation non obstrués)

N'installez pas l'appareil dans un endroit mal ventilé ou un lieu soumis à une forte humidité ou en plein soleil (ou à une forte lumière artificielle).

D3-4-2-1-7c\*\_A1\_Fr

## AVERTISSEMENT

Cet appareil est muni d'une fiche de mise à la terre (masse) à trois fils. Comme la fiche présente une troisième broche (de terre), elle ne peut se brancher que sur une prise de courant, prévue pour une mise à la terre. Si vous n'arrivez pas à insérer la fiche dans la prise de courant, contactez un électricien qualifié pour faire remplacer la prise par une qui soit mise à la terre. N'annulez pas la fonction de sécurité que procure cette fiche de mise à la terre.

D3-4-2-1-6\_A1\_Fr

## ATTENTION

L'interrupteur POWER de cet appareil ne coupe pas complètement celui-ci de sa prise secteur. Comme le cordon d'alimentation fait office de dispositif de déconnexion du secteur, il devra être débranché au niveau de la prise secteur pour que l'appareil soit complètement hors tension. Par conséquent, veillez à installer l'appareil de telle manière que son cordon d'alimentation puisse être facilement débranché de la prise secteur en cas d'accident. Pour éviter tout risque d'incendie, le cordon d'alimentation sera débranché au niveau de la prise secteur si vous prévoyez une période prolongée de non utilisation (par exemple avant un départ en vacances).

D3-4-2-2-2a\*\_A1\_Fr

Ce produit est destiné à une utilisation domestique générale. Toute panne due à une utilisation autre qu'à des fins privées (comme une utilisation à des fins commerciales dans un restaurant, dans un autocar ou sur un bateau) et qui nécessite une réparation sera aux frais du client, même pendant la période de garantie.

K041\_A1\_Fr

Ne fixez pas ces enceintes sur une paroi ou au plafond car leur chute pourrait causer des blessures.

SGK007\*\_A1\_Fr

## NOTE IMPORTANTE SUR LE CÂBLE D'ALIMENTATION

Tenir le câble d'alimentation par la fiche. Ne pas débrancher la prise en tirant sur le câble et ne pas toucher le câble avec les mains mouillées. Cela risque de provoquer un court-circuit ou un choc électrique. Ne pas poser l'appareil ou un meuble sur le câble. Ne pas pincer le câble. Ne pas faire de noeud avec le câble ou l'attacher à d'autres câbles. Les câbles d'alimentation doivent être posés de façon à ne pas être écrasés. Un câble abîmé peut provoquer un risque d'incendie ou un choc électrique. Vérifier le câble d'alimentation de temps en temps. Contacter le service après-vente PIONEER le plus proche ou le revendeur pour un remplacement.

S002\*\_A1\_Fr





Si vous souhaitez vous débarrasser de cet appareil, ne le mettez pas à la poubelle avec vos ordures ménagères. Il existe un système de collecte séparé pour les appareils électroniques usagés, qui doivent être récupérés, traités et recyclés conformément à la législation.

Les habitants des états membres de l'UE, de Suisse et de Norvège peuvent retourner gratuitement leurs appareils électroniques usagés aux centres de collecte agréés ou à un détaillant (si vous rachetez un appareil similaire neuf).

Dans les pays qui ne sont pas mentionnés ci-dessus, veuillez contacter les autorités locales pour savoir comment vous pouvez vous débarrasser de vos appareils.

Vous garantirez ainsi que les appareils dont vous vous débarrassez sont correctement récupérés, traités et recyclés et préviendrez de cette façon les impacts néfastes possibles sur l'environnement et la santé humaine.

K058b\_A1\_Fr

# Introduction

## Caractéristiques principales

Design optimisant la directivité et la spatialité du son.

Cône fibre d'aramide léger et extrêmement rigide afin d'offrir une réponse optimale des basses.

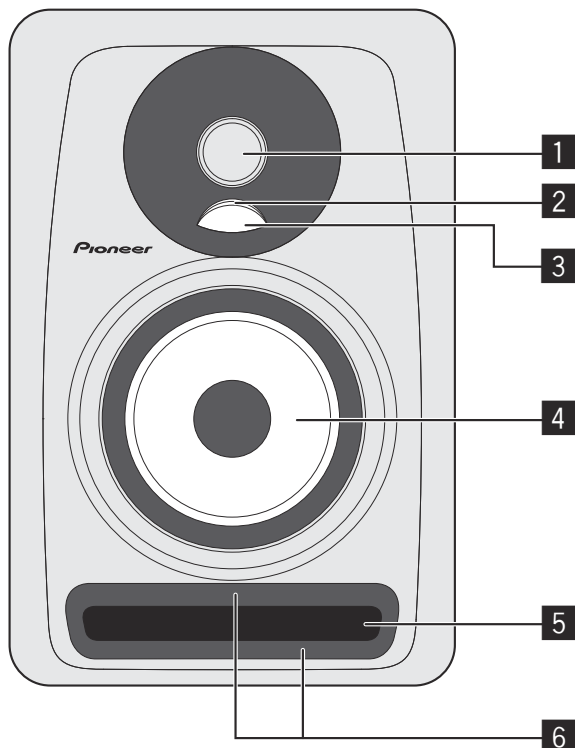
Rainures sur la gaine bass-reflex améliorant la circulation de l'air et permettant de réduire la perte de performances en matière de reproduction des basses.

## Confirmation de tous les accessoires

- Cordon d'alimentation (1)
- Mode d'emploi (ce document)
- Carte de garantie

# Nom et fonctions des éléments

## Éléments du panneau avant



### 1 Haut-parleur d'aigus à dôme souple haute résolution de 1 pouce

### 2 Éclairage (indicateur POWER)

S'allume suivant si l'appareil est sous tension ou hors tension. L'indicateur se s'allume pas lorsque les enceintes sont en mode Veille.

### 3 Diffuseur

Améliore la directivité et la diffusion des sons de haute fréquence.

### 4 Haut-parleur de graves en fibres d'aramide

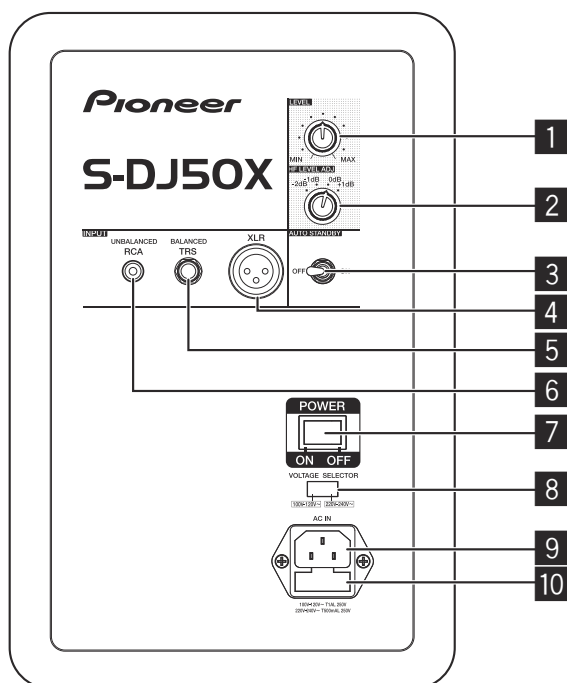
Cône léger et extrêmement rigide afin d'offrir une réponse optimale des basses.

### 5 Gaine bass-reflex

### 6 Évén

Régule la circulation de l'air dans la gaine bass-reflex afin d'émettre des sons de basse fréquence plus puissants avec très peu de perte sonore.

## Éléments du panneau arrière



\* L'illustration représente le S-DJ50X.

### 1 Molette LEVEL

Permet de régler le niveau sonore (volume).

### 2 Molette HF LEVEL ADJ

Permet de régler les sons de haute fréquence. Vous pouvez sélectionner entre -2 dB, -1 dB, 0 dB et 1 dB.

### 3 Commutateur AUTO STANDBY

Permet d'activer ou de désactiver la fonction de veille automatique.

Lorsque la fonction de veille automatique est activée, les enceintes passent automatiquement en mode Veille si aucun signal d'entrée n'est reçu pendant un certain temps (environ 25 minutes) afin de réduire la consommation électrique. Lorsqu'un signal d'entrée est reçu alors que les enceintes sont en mode Veille, les enceintes quitteront automatiquement le mode Veille.

- L'éclairage (indicateur POWER) sur le panneau avant s'éteint lorsque les enceintes sont en mode Veille.
- Si la puissance du signal d'entrée est en dessous d'un certain niveau, les enceintes ne quitteront pas automatiquement le mode Veille. Dans ce cas, désactivez le commutateur [AUTO STANDBY] pour utiliser les enceintes.
- Pour forcer les enceintes à quitter le mode Veille, désactivez le commutateur [POWER] sur le panneau arrière, puis réactivez-le après quelques secondes.

### 4 Connecteur XLR INPUT

Connecteur d'entrée symétrique de type XLR. L'agencement des broches du connecteur est comme suit : N° 1 Masse, N° 2 Point chaud et N° 3 Point froid.

### 5 Jack TRS INPUT

Prise casque d'entrée symétrique.

### ⚠ ATTENTION

Ne connectez pas simultanément au connecteur XLR INPUT et au jack TRS INPUT.

### 6 Jack RCA INPUT

Prises d'entrée asymétrique de type à broche RCA.

### 7 Commutateur POWER

Permet de mettre sous tension ou hors tension.

### ⚠ ATTENTION

Avant de mettre l'appareil sous tension, vérifiez que le commutateur [VOLTAGE SELECTOR] est réglé sur la tension appropriée au pays ou à la région où les enceintes sont utilisées. Si le commutateur [VOLTAGE SELECTOR] n'est pas correctement réglé, contactez un service d'entretien agréé par Pioneer et demandez à changer la tension réglée et à remplacer le fusible. Un fusible ayant un réglage de tension appropriée est installé dans le produit au moment de l'expédition. S'il est nécessaire de changer le réglage de la tension, le fusible doit être remplacé.

### 8 Commutateur VOLTAGE SELECTOR

Ce commutateur est utilisé pour sélectionner les réglages de la tension appropriée en fonction du pays/de la région d'utilisation. Il ne doit pas être utilisé directement par le client.

### 9 AC IN

Branchez le cordon d'alimentation fourni comme accessoire ici et sur une prise secteur. Ne branchez pas le cordon d'alimentation avant que toutes les autres connexions ne soient terminées. Utilisez uniquement le cordon d'alimentation fourni comme accessoire.

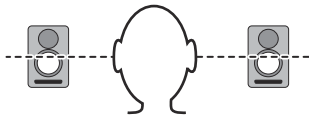
### 10 Porte-fusible

# Installation et connexions

## Méthode d'installation

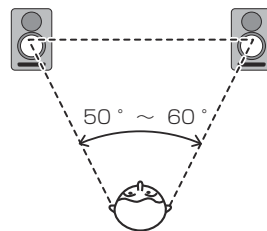
Les sons reproduits par les enceintes sont influencés délicatement par les conditions du local d'écoute. Pour bénéficier d'un environnement d'écoute optimal, réfléchissez bien aux conditions de l'emplacement avant de commencer l'installation proprement dite.

- Installez les haut-parleurs à hauteur des oreilles.



- Pour obtenir un effet stéréo naturel, les enceintes gauche et droite doivent être installées à des points symétriques et équidistants de la position d'écoute.

- Idéalement parlant, les enceintes doivent être placées à un angle de  $30^\circ$  par rapport à la position d'écoute (formant ensemble un angle de  $60^\circ$ ) et orientées vers l'intérieur et la position d'écoute.



### **ATTENTION**

Pour garantir un refroidissement adéquat, laissez suffisamment d'espace entre les enceintes et les parois adjacentes ou d'autres composants (au moins 30 cm au-dessus, derrière et sur les deux côtés de chaque enceinte). Un espace insuffisant entre les enceintes et les parois ou les autres composants peut provoquer une hausse de la température interne, ce qui entraînerait un mauvais fonctionnement, voire des dégâts.

## Connexions

- Avant d'effectuer ou de changer les connexions, coupez toujours l'alimentation et débranchez le cordon d'alimentation au niveau de la prise du secteur.
- Veillez également à lire les explications relatives aux autres composants auxquels ces enceintes seront raccordées.
- Ne branchez pas le cordon d'alimentation avant que toutes les autres connexions ne soient terminées.
- Utilisez uniquement le cordon d'alimentation fourni comme accessoire.
- Ne connectez pas simultanément au connecteur XLR INPUT et au jack TRS INPUT.
- Assurez-vous que le niveau sonore est réglé sur un niveau approprié car les signaux d'entrée vers le connecteur XLR INPUT (ou le jack TRS INPUT) et le jack RCA INPUT seront entrelacés, affectant le niveau sonore.

# Informations complémentaires

## Guide de dépannage

- En présence d'une défaillance apparente de cet appareil, vérifiez les points suivants. Examinez aussi les autres composants raccordés à cet appareil. Si le problème subsiste, consultez votre revendeur pour les réparations éventuelles.
- Dans certains cas, il arrive que l'appareil ne fonctionne pas correctement à cause de l'électricité statique ou d'autres circonstances externes. Dans ce cas, débranchez le cordon d'alimentation et attendez au moins 5 minutes, puis rebranchez le cordon et vérifiez si l'appareil fonctionne correctement.

Symptôme	Points à vérifier	Solution
Pas d'alimentation	Le cordon d'alimentation est-il correctement branché ?	Branchez le cordon d'alimentation sur une prise secteur.
Aucun son, ou seulement un son très faible, ne provient des appareils audio raccordés.	L'appareil audio raccordé est-il réglé correctement ?	Réglez correctement l'entrée externe et le volume sonore de l'appareil.
	Le câble de connexion est-il correctement branché ?	Branchez correctement les câbles.
	Les connecteurs ou les fiches sont-ils sales ?	Nettoyez les connecteurs et les fiches avant leur branchement.
	Le volume sonore est-il correctement réglé ?	Tournez la molette <b>[LEVEL]</b> sur le panneau arrière dans le sens des aiguilles d'une montre et augmentez le volume.
	L'appareil est-il sous tension ?	Activez le commutateur <b>[POWER]</b> sur le panneau arrière.
	La fonction de veille automatique est-elle activée ?	Désactivez le commutateur <b>[POWER]</b> sur le panneau arrière, attendez quelques secondes, puis réactivez-le.
L'éclairage (indicateur POWER) reste éteint.	L'appareil est-il sous tension ?	Activez le commutateur <b>[POWER]</b> sur le panneau arrière.
	La fonction de veille automatique est-elle activée ?	Désactivez le commutateur <b>[POWER]</b> sur le panneau arrière, attendez quelques secondes, puis réactivez-le.
Les enceintes ne quittent pas le mode Veille (elles ne se rallument pas).	Le niveau du signal d'entrée est-il faible ?	Augmentez le niveau du signal d'entrée.
		Désactivez le commutateur <b>[AUTO STANDBY]</b> pour désactiver la fonction de veille automatique.
Le son est distordu.	Le volume sonore est-il réglé correctement ?	Tournez lentement la molette <b>[LEVEL]</b> sur le panneau arrière dans le sens inverse des aiguilles d'une montre et baissez le volume.
	Le niveau de sortie de l'appareil audio raccordé est-il correctement réglé ?	Ajustez correctement le niveau de sortie de l'appareil audio raccordé.
Rétroaction sonore (sifflement continu)	Le volume sonore est-il correctement réglé ?	Tournez lentement la molette <b>[LEVEL]</b> sur le panneau arrière dans le sens inverse des aiguilles d'une montre et baissez le volume.

## Marques commerciales

- Pioneer est une marque déposée de PIONEER CORPORATION.
- Les autres noms de sociétés et noms de produits listés sont des marques commerciales déposées ou marques commerciales de leur propriétaire respectif.

## Caractéristiques techniques

	S-DJ50X/S-DJ50X-W	S-DJ60X	S-DJ80X
Type	Enceinte active bi-ampli 2 voies		
<b>Amplificateur</b>			
Amplificateur BF	30 W	50 W	70 W
Amplificateur HF	15 W	20 W	20 W
Connecteurs d'entrée (entrée symétrique)	XLR × 1, TRS (casque 1/4 pouce) × 1		
Connecteurs d'entrée (entrée asymétrique)	RCA × 1		
Impédance	10 kΩ		
<b>Enceinte</b>			
Caisson	Bass-reflex		
Matériau du caisson	MDF		
Haut-parleur de graves (pilote de basse fréquence)	Cône de 13 cm	Cône de 15 cm	Cône de 20 cm
Haut-parleur d'aigus (pilote de haute fréquence)	Dôme souple de 2,5 cm		
Réponse en lecture	de 50 Hz à 20 kHz	de 45 Hz à 20 kHz	de 40 Hz à 20 kHz
<b>Bloc d'alimentation / autres</b>			
Tensions prises en charge	Conversion 100 V à 120 V (50 Hz à 60 Hz) / 220 V à 240 V (50 Hz à 60 Hz)		
Consommation électrique	100 W	140 W	160 W
Consommation électrique en mode Veille	0,5 W max.		
Dimensions extérieures L × H × P	197 mm × 301 mm × 262 mm	228 mm × 342 mm × 295 mm	276 mm × 401 mm × 315 mm
Poids	6,5 kg	8,5 kg	11,8 kg

Les caractéristiques et la présentation peuvent être modifiées sans avis à fin d'amélioration.  
© 2013 PIONEER CORPORATION. Tous droits de reproduction et de traduction réservés.

Wir danken Ihnen dafür, dass Sie sich für dieses Produkt von Pioneer entschieden haben. Bitte lesen Sie diese Bedienungsanleitung vor der Inbetriebnahme aufmerksam durch, damit Sie die optimale Leistung von diesem Produkt erzielen können. Bitte bewahren Sie diese Anleitung anschließend für spätere Bezugnahme griffbereit auf.

## ACHTUNG

UM SICH NICHT DER GEFAHR EINES ELEKTRISCHEN SCHLAGES AUSZUSETZEN, DÜRFEN SIE NICHT DEN DECKEL (ODER DIE RÜCKSEITE) ENTFERNEN. IM GERÄTEINNEREN BEFINDEN SICH KEINE VOM BENUTZER REPARIERBAREN TEILE. ÜBERLASSEN SIE REPARATUREN DEM QUALIFIZIERTEN KUNDENDIENST.

D3-4-2-1-1\_B1\_De

## WARNUNG

Dieses Gerät ist nicht wasserdicht. Zur Vermeidung der Gefahr von Brand und Stromschlag keine Behälter mit Flüssigkeiten (z.B. Blumenvasen und -töpfe) in die Nähe des Gerätes bringen und dieses vor Tropfwasser, Spritzwasser, Regen und Nässe schützen.

D3-4-2-1-3\_A1\_De

## WARNUNG

Keine Quellen offener Flammen (z.B. eine brennende Kerze) auf dieses Gerät stellen.

D3-4-2-1-7a\_A1\_De

## VORSICHTSHINWEIS ZUR BELÜFTUNG

Bei der Aufstellung dieses Gerätes muss für einen ausreichenden Freiraum gesorgt werden, um eine einwandfreie Wärmeabfuhr zu gewährleisten (mindestens 30 cm oberhalb des Gerätes, 30 cm hinter dem Gerät und jeweils 30 cm an der Seite des Gerätes).

## WARNUNG

Im Gerätegehäuse sind Ventilationsschlitze und andere Öffnungen vorgesehen, die dazu dienen, eine Überhitzung des Gerätes zu verhindern und einen zuverlässigen Betrieb zu gewährleisten. Um Brandgefahr auszuschließen, dürfen diese Öffnungen auf keinen Fall blockiert oder mit Gegenständen (z.B. Zeitungen, Tischdecken und Gardinen) abgedeckt werden, und das Gerät darf beim Betrieb nicht auf einem dicken Teppich oder Bett aufgestellt sein.

D3-4-2-1-7b\*\_A1\_De

## WARNUNG

Das Netzkabel dieses Gerätes ist mit einem dreipoligen (einschließlich Erdungsstift) Netzstecker ausgestattet, der ausschließlich für den Anschluss an eine (geerdete) Schuko-Steckdose vorgesehen ist. Falls der Netzstecker aufgrund einer abweichenden Ausführung nicht an die Netzsteckdose angeschlossen werden kann, muss ein Elektriker mit der Installation einer vorschriftsmäßigen Netzsteckdose beauftragt werden. Beim Erdungsstift handelt es sich um eine Sicherheitsvorrichtung, die auf keinen Fall umgangen oder außer Kraft gesetzt werden darf.

D3-4-2-1-6\_A1\_De

## Betriebsumgebung

Betriebstemperatur und Betriebsluftfeuchtigkeit:  
+5 °C bis +35 °C, 85 % rel. Feuchte max.  
(Ventilationsschlitze nicht blockiert)  
Eine Aufstellung dieses Gerät an einem unzureichend belüfteten, sehr feuchten oder heißen Ort ist zu vermeiden, und das Gerät darf weder direkter Sonneneinstrahlung noch starken Kunstlichtquellen ausgesetzt werden.

D3-4-2-1-7c\*\_A1\_De

## ACHTUNG

Der POWER-Schalter dieses Gerätes trennt das Gerät nicht vollständig vom Stromnetz. Um das Gerät vollständig vom Netz zu trennen, muss der Netzstecker aus der Netzsteckdose gezogen werden. Daher sollte das Gerät so aufgestellt werden, dass stets ein unbehinderter Zugang zur Netzsteckdose gewährleistet ist, damit der Netzstecker in einer Notsituation sofort abgezogen werden kann. Um Brandgefahr auszuschließen, sollte der Netzstecker vor einem längeren Nichtgebrauch des Gerätes, beispielsweise während des Urlaubs, grundsätzlich von der Netzsteckdose getrennt werden.

D3-4-2-2-2a\*\_A1\_De

Dieses Gerät ist für den Heimgebrauch vorgesehen. Falls bei Einsatz zu einem anderem Zweck (z.B. Langzeitgebrauch zu gewerblichen Zwecken in einem Restaurant oder Betrieb in einem Fahrzeug bzw. Schiff) eine Funktionsstörung auftritt, die eine Reparatur des Gerätes erforderlich macht, werden die Reparaturkosten dem Kunden selbst dann in Rechnung gestellt, wenn die Garantiefrist noch nicht abgelaufen ist.

K041\_A1\_De

Diese Lautsprecher dürfen auf keinen Fall an einer Wand oder Decke montiert werden, da sie Verletzungen verursachen können, wenn sie herunterfallen.

SGK007\*\_A1\_De

## VORSICHT MIT DEM NETZKABEL

Fassen Sie das Netzkabel immer am Stecker. Ziehen Sie nicht am Kabel selbst, und fassen Sie das Netzkabel niemals mit nassen Händen an, da dies einen Kurzschluss oder elektrischen Schlag verursachen kann. Stellen Sie nicht das Gerät, Möbelstücke o.ä. auf das Netzkabel; sehen Sie auch zu, dass es nicht eingeklemmt wird. Machen Sie niemals einen Knoten in das Netzkabel, und binden Sie es nicht mit anderen Kabeln. Das Netzkabel sollte so gelegt werden, dass niemand darauf tritt. Ein beschädigtes Netzkabel kann einen Brand oder elektrischen Schlag verursachen. Prüfen Sie das Netzkabel von Zeit zu Zeit. Sollte es beschädigt sein, wenden Sie sich an Ihre nächste autorisierte PIONEER-Kundendienststelle oder Ihren Händler, um es zu ersetzen.

5002\*\_A1\_De



Mischen Sie dieses Produkt, wenn Sie es entsorgen wollen, nicht mit gewöhnlichen Haushaltsabfällen. Es gibt ein getrenntes Sammelsystem für gebrauchte elektronische Produkte, über das die richtige Behandlung, Rückgewinnung und Wiederverwertung gemäß der bestehenden Gesetzgebung gewährleistet wird.

Privathaushalte in den Mitgliedsstaaten der EU, in der Schweiz und in Norwegen können ihre gebrauchten elektronischen Produkte an vorgesehenen Sammeleinrichtungen kostenfrei zurückgeben oder aber an einen Händler zurückgeben (wenn sie ein ähnliches neues Produkt kaufen).

Bitte wenden Sie sich in den Ländern, die oben nicht aufgeführt sind, hinsichtlich der korrekten Verfahrensweise der Entsorgung an die örtliche Kommunalverwaltung.

Auf diese Weise stellen Sie sicher, dass das zu entsorgende Produkt der notwendigen Behandlung, Rückgewinnung und Wiederverwertung unterzogen wird, und so mögliche negative Einflüsse auf die Umwelt und die menschliche Gesundheit vermieden werden.

K058b\_A1\_De

# Einleitung

## Hauptmerkmale

Dem Hornvorsatz (Wave Guide) wurde ein konvex geformter Diffusor hinzugefügt, womit die Richtcharakteristik von Hochfrequenztönen sowie die Klangdiffusion verbessert wird.

Die Subwoofermembran aus Aramidfaser ist sehr leicht und äußerst robust und liefert die beste Basswiedergabe.

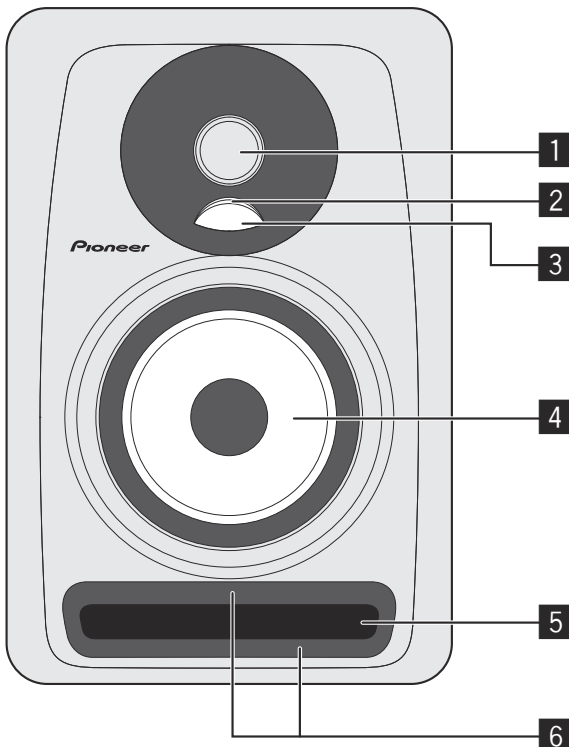
Die Öffnung am Bassreflexrohr reguliert den Luftstrom und unterstützt die Erzeugung eines kraftvollen Basstons mit sehr geringem Verlust.

## Überprüfen des mitgelieferten Zubehörs

- Netzkabel (1)
- Bedienungsanleitung (dieses Dokument)
- Garantiekarte

# Bezeichnung und Funktion der Teile

## Elemente der Frontplatte



### 1 Hochauflösender 1-Zoll-Weichkalottenhochtöner

### 2 Beleuchtung (POWER-Anzeige)

Leuchtet, je nach dem, ob das Gerät eingeschaltet ist. Die Anzeige leuchtet nicht, wenn sich der Lautsprecher im Standby-Modus befindet.

### 3 Diffusor

Verbessert die Richtcharakteristik und die Klangdiffusion von Hochfrequenztönen.

### 4 Aramidfaser-Subwoofer

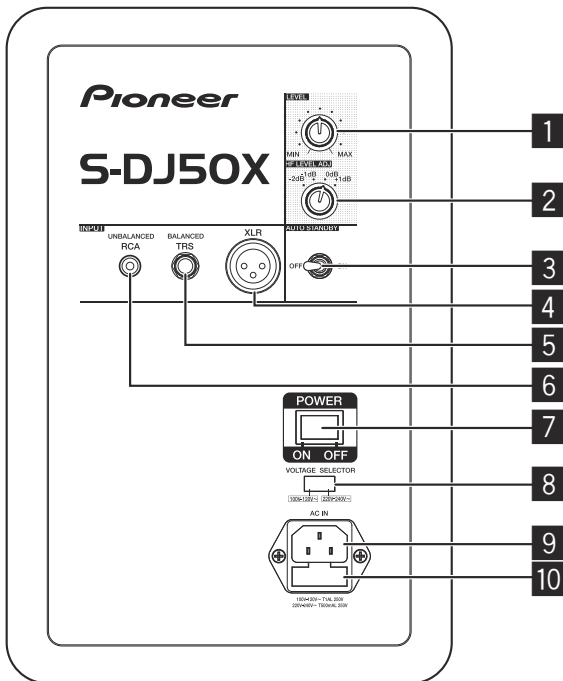
Diese leichten und äußerst robusten Membranen liefern die beste Basswiedergabe.

### 5 Bassreflexrohr

### 6 Öffnung

Reguliert den Luftstrom im Bassreflexrohr, um einen kraftvollen Basstons mit sehr geringem Klangverlust zu erzeugen.

## Elemente der Rückseite



\* Die Abbildung zeigt das Modell S-DJ50X.

### 1 LEVEL-Regler

Mit diesem Regler wird der Klangpegel (Lautstärke) eingestellt.

### 2 HF LEVEL ADJ-Regler

Mit diesem Regler werden die Hochfrequenzöne eingestellt. Sie können zwischen -2 dB, -1 dB, 0 dB, und 1 dB wählen.

### 3 AUTO STANDBY-Schalter

Mit diesem Schalter wird die automatische Standby-Funktion ein- oder ausgeschaltet.

Wenn die automatische Standby-Funktion aktiviert ist, schalten sich die Lautsprecher automatisch in den Standby-Modus, wenn für einen bestimmten Zeitraum (ca. 25 Minuten) kein Eingangssignal anliegt. Damit kann der Energieverbrauch reduziert werden. Damit kann der Lautsprecher im Standby-Modus ein Eingangssignal empfangen, setzen sie automatisch ihren normalen Betrieb fort.

- Die Beleuchtung (POWER-Anzeige) an der Frontplatte erlischt, wenn die Lautsprecher in den Standby-Modus wechseln.
- Wenn das Eingangssignal einen bestimmten Pegel unterschreitet, wechseln die Lautsprecher eventuell nicht automatisch vom Standby-Modus in den normalen Betrieb zurück. Deaktivieren Sie in diesem Fall den [AUTO STANDBY]-Schalter, um die Lautsprecher verwenden zu können.
- Um zu erzwingen, dass die Lautsprecher aus dem Standby-Modus in den normalen Betrieb zurückkehren, schalten Sie den [POWER]-Schalter an der Rückseite aus und nach einigen Sekunden wieder ein.

### 4 XLR INPUT-Anschluss

Bei diesem Anschluss handelt es sich um einen symmetrischen XLR-Eingang. Die Pinbelegung ist folgendermaßen: Nr. 1 Masse, Nr. 2 Plussignal und Nr. 3 Minussignal.

### 5 TRS INPUT-Buchse

Bei dieser Klinkenbuchse handelt es sich um eine symmetrische Eingangsbuchse.

### ! VORSICHT

Schließen Sie nicht gleichzeitig den XLR INPUT-Anschluss und die TRS INPUT-Buchse an.

### 6 RCA INPUT-Buchse

Bei dieser Cinchbuchse handelt es sich um eine unsymmetrische Eingangsbuchse.

### 7 POWER-Schalter

Mit diesem Schalter wird das Gerät ein- bzw. ausgeschaltet.

### ! VORSICHT

Bevor Sie die Stromversorgung einschalten, ist unbedingt darauf zu achten, dass der [VOLTAGE SELECTOR]-Schalter auf die entsprechende Spannung für das Land oder die Region eingestellt ist, wo der Lautsprecher verwendet werden soll. Wenn der [VOLTAGE SELECTOR]-Schalter nicht richtig eingestellt ist, wenden Sie sich an den Pioneer-Kundendienst und fordern ein Ändern der eingestellten Spannung und den Austausch der Sicherung an. Bei Auslieferung ist das Produkt mit einer Sicherung mit der entsprechenden Spannungseinstellung ausgestattet. Wenn die Spannungseinstellung geändert werden muss, ist ebenfalls ein Austauschen der Sicherung erforderlich.

### 8 VOLTAGE SELECTOR-Schalter

Dieser Schalter dient zum Auswählen der geeigneten Spannungseinstellung für das Land/die Region, wo das Gerät verwendet werden soll. Er ist nicht für eine Bedienung durch den Kunden vorgesehen.

### 9 AC IN

Verbinden Sie das Netzkabel mit dieser Buchse und schließen Sie das andere Ende an eine Steckdose an. Verbinden Sie das Netzkabel erst, nachdem alle anderen Anschlüsse vorgenommen wurden. Verwenden Sie ausschließlich das mitgelieferte Netzkabel.

### 10 Sicherungshalter



---

---

# Installation und Anschlüsse

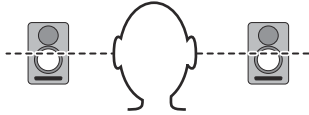
---

---

## Installationsverfahren

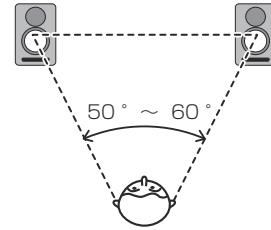
Der Wiedergabeklang eines Lautsprechers wird durch die akustischen Verhältnisse im Hörraum beeinflusst. Bitte berücksichtigen Sie vor Beginn der Installation sorgfältig die Bedingungen am Aufstellungsort, um eine optimale Hörumgebung zu kreieren.

- Stellen Sie die Lautsprecher auf Ohrenhöhe auf.



- Um einen natürlich wirkenden Stereoeffekt zu erzielen, sollten der rechte und der linke Lautsprecher an einer symmetrischen Position jeweils im gleichen Abstand von der Hörposition aufgestellt werden.

- Idealerweise sollten die Lautsprecher jeweils in einem Winkel von  $30^\circ$  zur Hörposition aufgestellt werden (so dass sie einen Winkel von  $60^\circ$  zueinander bilden) und so nach innen gedreht werden, dass sie direkt auf die Hörposition weisen.



### **VORSICHT**

Um eine einwandfreie Wärmeabfuhr zu gewährleisten, sollte ein ausreichender Abstand zwischen den Lautsprechern und Wänden oder anderen Komponenten eingehalten werden (mindestens jeweils 30 cm oberhalb und hinter jedem Lautsprecher sowie auf beiden Seiten). Falls die Lautsprecher zu nah nebeneinander, an einer Wand oder anderen Komponenten aufgestellt werden, führt dies möglicherweise zu einem Anstieg der Innentemperatur, der eine Funktionsstörung oder Beschädigung zur Folge haben kann.

---

---

## Anschlüsse

- Achten Sie unbedingt darauf, die Stromzufuhr auszuschalten und den Netzstecker von der Netzsteckdose zu trennen, bevor Anschlüsse hergestellt oder verändert werden.
- Bitte achten Sie auch stets darauf, in den Bedienungsanleitungen der anderen Komponenten nachzuschlagen, an die diese Lautsprecher angeschlossen werden.
- Verbinden Sie das Netzkabel erst, nachdem alle anderen Anschlüsse vorgenommen wurden.
- Verwenden Sie ausschließlich das mitgelieferte Netzkabel.
- Schließen Sie nicht gleichzeitig den XLR INPUT-Anschluss und die TRS INPUT-Buchse an.
- Stellen Sie die Lautstärke auf einen geeigneten Pegel, da die Eingangssignale für den XLR INPUT-Anschluss (oder die TRS INPUT-Buchse) und die RCA INPUT-Buchse gemischt werden und die Lautstärke beeinflussen.

# Zusätzliche Informationen

## Störungsbeseitigung

- Wenn Sie vermuten, dass eine Funktionsstörung dieses Gerätes vorliegt, überprüfen Sie bitte zunächst die Hinweise in der nachstehenden Tabelle. Überprüfen Sie auch die anderen angeschlossenen Geräte. Falls sich die Störung nicht beseitigen lässt, wenden Sie sich bitte zwecks Reparatur des Gerätes an Ihren Fachhändler.
- In seltenen Fällen kann es vorkommen, dass das Gerät aufgrund der Einwirkung von statischer Elektrizität oder einer anderen externen Ursache nicht mehr einwandfrei arbeitet. In einem solchen Fall trennen Sie den Netzstecker von der Netzsteckdose, warten Sie ca. fünf Minuten lang, schließen Sie das Netzkabel dann erneut an und überprüfen Sie, ob der normale Betriebszustand des Gerätes wiederhergestellt worden ist.

Störung	Prüfpunkte	Abhilfemaßnahme
Kein Strom	Ist das Netzkabel einwandfrei angeschlossen?	Schließen Sie das Netzkabel an eine Netzsteckdose an.
Kein Ton von angeschlossenen Audiogeräten, oder die Lautstärke ist extrem niedrig.	Ist das Audiogerät richtig eingestellt worden?	Stellen Sie den externen Eingang und die Lautstärke des Audiogerätes richtig ein.
	Ist das Verbindungskabel richtig angeschlossen?	Schließen Sie die Kabel richtig an.
	Sind die Buchsen oder Stecker verschmutzt?	Reinigen Sie die Buchsen und Stecker, bevor Sie die Anschlüsse herstellen.
	Ist die Lautstärke richtig eingestellt?	Drehen Sie den [LEVEL]-Regler an der Rückseite im Uhrzeigersinn und erhöhen Sie die Lautstärke.
	Ist die Stromzufuhr eingeschaltet?	Schalten Sie den [POWER]-Schalter an der Rückseite ein.
	Ist die automatische Standby-Funktion aktiviert?	Schalten Sie den [POWER]-Schalter an der Rückseite aus und nach einigen Sekunden wieder ein.
Die Beleuchtung (POWER-Anzeige) bleibt ausgeschaltet.	Ist die Stromzufuhr eingeschaltet?	Schalten Sie den [POWER]-Schalter an der Rückseite ein.
	Ist die automatische Standby-Funktion aktiviert?	Schalten Sie den [POWER]-Schalter an der Rückseite aus und nach einigen Sekunden wieder ein.
Die Lautsprecher wechseln nicht aus dem Standby-Modus in den Betriebsmodus (schalten sich nicht ein).	Ist der Pegel des Eingangssignals zu niedrig?	Erhöhen Sie den Pegel des Eingangssignals.
		Schalten Sie den [AUTO STANDBY]-Schalter aus, um die automatische Standby-Funktion zu deaktivieren.
Der Klang ist verzerrt.	Ist der Klangpegel richtig eingestellt?	Drehen Sie den [LEVEL]-Regler an der Rückseite langsam entgegen dem Uhrzeigersinn und reduzieren Sie die Lautstärke.
	Ist der Ausgangspegel des angeschlossenen Audiogerätes richtig eingestellt?	Stellen Sie den Ausgangspegel des angeschlossenen Audiogerätes richtig ein.
Rückkopplung (kontinuierlicher Heulton)	Ist die Lautstärke richtig eingestellt?	Drehen Sie den [LEVEL]-Regler an der Rückseite langsam entgegen dem Uhrzeigersinn und reduzieren Sie die Lautstärke.

## Warenzeichen

- Pioneer ist ein eingetragenes Markenzeichen der PIONEER CORPORATION.
- Andere hier aufgelistete Firmen- und Produktnamen sind eingetragene Warenzeichen der jeweiligen Firmen oder Warenzeichen.

## Technische Daten

	S-DJ50X/S-DJ50X-W	S-DJ60X	S-DJ80X
Ausführung	Zweiverstärker-, 2-Wege-Lautsprecher		
<b>Verstärker</b>			
NF-Verstärker	30 W	50 W	70 W
HF-Verstärker	15 W	20 W	20 W
Eingangsbuchsen (symmetrischer Eingang)	XLR × 1, TRS (1/4-Zoll-Klinkenbuchse) × 1		
Eingangsbuchsen (unsymmetrischer Eingang)	Cinch × 1		
Impedanz	10 kΩ		
<b>Lautsprecher</b>			
Gehäuse	Bassreflex		
Gehäusematerial	MDF		
Subwoofer (NF-Treiber)	13 cm-Membran	15 cm-Membran	20 cm-Membran
Hochtöner (HF-Treiber)	2,5 cm-Weichkalotte		
Frequenzgang	50 Hz bis 20 kHz	45 Hz bis 20 kHz	40 Hz bis 20 kHz
<b>Netzteil/Sonstiges</b>			
Unterstützte Spannungen	100 V bis 120 V (50 Hz bis 60 Hz) / 220 V bis 240 V (50 Hz bis 60 Hz) Umschaltung		
Leistungsaufnahme	100 W	140 W	160 W
Leistungsaufnahme im Standby-Modus	0,5 W oder weniger		
Außenabmessungen B × H × T	197 mm × 301 mm × 262 mm	228 mm × 342 mm × 295 mm	276 mm × 401 mm × 315 mm
Gewicht	6,5 kg	8,5 kg	11,8 kg

Die technischen Daten und das Design können sich aufgrund von Verbesserungen ohne Ankündigung ändern.  
© 2013 PIONEER CORPORATION. Alle Rechte vorbehalten.

Vi ringraziamo per avere acquistato questo prodotto Pioneer. Prima di usare il prodotto, leggere queste istruzioni per l'uso in modo da saperlo utilizzare correttamente. Finito di leggerle, conservarle in un luogo sicuro per poterle riutilizzare in futuro.

## ATTENZIONE

PER EVITARE IL RISCHIO DI SCOSSE ELETTRICHE, NON RIMUOVERE IL COPERCHIO (O IL RETRO). NON CI SONO PARTI INTERNE LA CUI MANUTENZIONE POSSA ESSERE EFFETTUATA DALL'UTENTE. IN CASO DI NECESSITÀ, RIVOLGERSI ESCLUSIVAMENTE A PERSONALE DI SERVIZIO QUALIFICATO.

D3-4-2-1-1\_B2\_It

## ATTENZIONE

Questo apparecchio non è impermeabile. Per prevenire pericoli di incendi o folgorazioni, non posizionare nelle vicinanze di questo apparecchio contenitori pieni di liquidi (quali vasi da fiori, o simili), e non esporre l'apparecchio a sgocciolii, schizzi, pioggia o umidità.

D3-4-2-1-3\_A1\_It

## ATTENZIONE

Per evitare il pericolo di incendi, non posizionare sull'apparecchio dispositivi con fiamme vive (ad esempio una candela accesa, o simili).

D3-4-2-1-7a\_A1\_It

## AVVERTENZA PER LA VENTILAZIONE

Installare l'apparecchio avendo cura di lasciare un certo spazio all'intorno dello stesso per consentire una adeguata circolazione dell'aria e migliorare la dispersione del calore (almeno 30 cm sulla parte superiore, 30 cm sul retro, e 30 cm su ciascuno dei lati).

## ATTENZIONE

L'apparecchio è dotato di un certo numero di fessure e di aperture per la ventilazione, allo scopo di garantirne un funzionamento affidabile, e per proteggerlo dal surriscaldamento. Per prevenire possibili pericoli di incendi le aperture non devono mai venire bloccate o coperte con oggetti vari (quali giornali, tovaglie, tende o tendaggi, ecc.), e l'apparecchio non deve essere utilizzato appoggiandolo su tappeti spessi o sul letto.

D3-4-2-1-7b\*\_A1\_It

## AVVERTENZA

L'interruttore principale ( POWER ) dell'apparecchio non stacca completamente il flusso di corrente elettrica dalla presa di corrente alternata di rete. Dal momento che il cavo di alimentazione costituisce l'unico dispositivo di distacco dell'apparecchio dalla sorgente di alimentazione, il cavo stesso deve essere staccato dalla presa di corrente alternata di rete per sospendere completamente qualsiasi flusso di corrente. Verificare quindi che l'apparecchio sia stato installato in modo da poter procedere con facilità al distacco del cavo di alimentazione dalla presa di corrente, in caso di necessità. Per prevenire pericoli di incendi, inoltre, il cavo di alimentazione deve essere staccato dalla presa di corrente alternata di rete se si pensa di non utilizzare l'apparecchio per periodi di tempo relativamente lunghi (ad esempio, durante una vacanza).

D3-4-2-2-2a\*\_A1\_It

## Condizioni ambientali di funzionamento

Gamma ideale della temperatura ed umidità dell'ambiente di funzionamento:  
da +5 °C a +35 °C, umidità relativa inferiore all'85 % (fessure di ventilazione non bloccate)

Non installare l'apparecchio in luoghi poco ventilati, o in luoghi esposti ad alte umidità o alla diretta luce del sole (o a sorgenti di luce artificiale molto forti).

D3-4-2-1-7c\*\_A1\_It

## ATTENZIONE

Questo apparecchio è dotato di una spina con messa a terra, cioè di una spina con un terzo spinotto (per la messa a terra). Questo tipo di spine si inserisce solamente in prese di corrente dello stesso tipo, cioè con attacco per messa a terra. Se non si riesce ad inserire la spina nella presa di corrente di casa, rivolgersi ad un elettricista qualificato per far sostituire la presa alla parete con una dotata di attacco per la messa a terra. Non annullare lo scopo di sicurezza della spina con messa a terra.

D3-4-2-1-6\_A1\_It

Questo prodotto è destinato esclusivamente all'uso domestico. Eventuali disfunzioni dovute ad usi diversi (quali uso prolungato a scopi commerciali, in ristoranti, o uso in auto o su navi) e che richiedano particolari riparazioni, saranno a carico dell'utente, anche se nel corso del periodo di garanzia.

K041\_A1\_It

Non applicare questi diffusori ad un muro o ad un soffitto, dato che una eventuale caduta potrebbe causare ferimenti.

SGK007\*\_A1\_It

## AVVERTIMENTO RIGUARDANTE IL FILO DI ALIMENTAZIONE

Prendete sempre il filo di alimentazione per la spina. Non tiratelo mai agendo per il filo stesso e non toccate mai il filo con le mani bagnate, perché questo potrebbe causare cortocircuiti o scosse elettriche. Non collocate l'unità, oppure dei mobili sopra il filo di alimentazione e controllate che lo stesso non sia premuto. Non annodate mai il filo di alimentazione né collegatelo con altri fili. I fili di alimentazione devono essere collocati in tal modo che non saranno calpestati. Un filo di alimentazione danneggiato potrebbe causare incendi o scosse elettriche. Controllate il filo di alimentazione regolarmente. Quando localizzate un eventuale danno, rivolgetevi al più vicino centro assistenza autorizzato della PIONEER oppure al vostro rivenditore per la sostituzione del filo di alimentazione.

S002\*\_A1\_It



Se si vuole eliminare questo prodotto, non gettarlo insieme ai rifiuti domestici. Esiste un sistema di raccolta differenziata in conformità alle leggi che richiedono appositi trattamenti, recupero e riciclo.

I privati cittadini dei paesi membri dell'UE, di Svizzera e Norvegia, possono restituire senza alcun costo i loro prodotti elettronici usati ad appositi servizi di raccolta o a un rivenditore (se si desidera acquistarne uno simile).

Per i paesi non citati qui sopra, si prega di prendere contatto con le autorità locali per il corretto metodo di smaltimento.

In questo modo, si è sicuri che il proprio prodotto eliminato subirà il trattamento, il recupero e il riciclo necessari per prevenire gli effetti potenzialmente negativi sull'ambiente e sulla vita dell'uomo.

K058b\_A1\_It

# Introduzione

## Caratteristiche principali

Il diffusore a guida d'onda migliora la direzionalità del suono e garantisce un campo sonoro ampio.

Il cono in fibra aramidica è leggero ma molto rigido, per garantire la resa migliore dei bassi.

Le scanalature sul condotto del bass-reflex migliorano il flusso d'aria e garantiscono prestazioni ideali senza perdita delle frequenze basse.

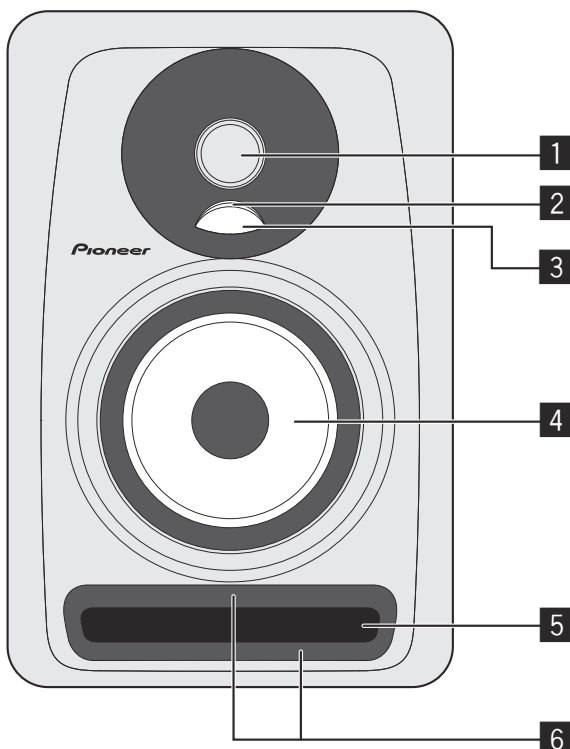
Italiano

## Controllo degli accessori in dotazione

- Cavo di alimentazione (1)
- Istruzioni per l'uso (questo documento)
- Scheda di garanzia

# Nome e funzione delle varie parti

## Caratteristiche del pannello anteriore



**1 Tweeter a cupola morbida da 1" ad alta risoluzione**

**2 Illuminazione (indicatore POWER)**

Si illumina a seconda che l'unità sia accesa o spenta. L'indicatore non si illumina quando i diffusori sono in modalità standby.

**3 Diffusore**

Migliora la direzionalità e la diffusione delle alte frequenze.

**4 Woofer in fibra aramidica**

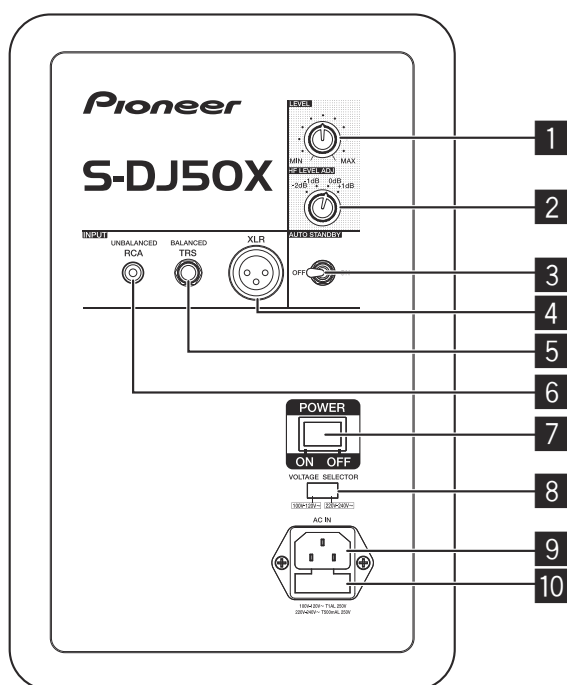
I coni leggeri ed estremamente rigidi garantiscono una resa migliore dei bassi.

**5 Condotto del bass-reflex**

**6 Raccordo del reflex**

Regola il flusso dell'aria nel condotto del bass-reflex consentendo di ottenere bassi potenti senza perdite sonore significative.

## Caratteristiche del pannello posteriore



\* L'illustrazione rappresenta il modello S-DJ50X.

### 1 Manopola LEVEL

Consente di controllare il livello (volume) audio.

### 2 Manopola HF LEVEL ADJ

Consente di regolare le alte frequenze.

È possibile selezionare un livello tra -2 dB, -1 dB, 0 dB e 1 dB.

### 3 Interruttore AUTO STANDBY

Consente di attivare o disattivare la funzione auto standby. Quando la funzione auto standby è attiva, i diffusori entrano automaticamente in modalità standby se non viene ricevuto nessun segnale per un certo periodo di tempo (circa 25 minuti) riducendo il consumo energetico. Se i diffusori ricevono un segnale mentre sono in modalità standby, usciranno automaticamente dalla modalità standby.

- Quando i diffusori entrano in modalità standby, l'illuminazione (indicatore POWER) del pannello anteriore si spegne.

- Se il segnale risulta inferiore ad un determinato livello, i diffusori potrebbero non uscire automaticamente dalla modalità standby. In questo caso, spegnere l'interruttore [AUTO STANDBY] per utilizzare i diffusori.

- Per forzare i diffusori ad uscire dalla modalità standby, spegnere l'interruttore [POWER] sul pannello posteriore, quindi riaccenderlo dopo qualche secondo.

### 4 Connettore XLR INPUT

Connettore di ingresso bilanciato di tipo XLR. La distribuzione dei piedini del connettore è la seguente: N. 1, terra, N. 2, sotto tensione, e N. 3, non sotto tensione.

### 5 Presa TRS INPUT

Spinotto fono di ingresso bilanciato.

### ! ATTENZIONE

Non collegare il connettore XLR INPUT e la Presa TRS INPUT allo stesso tempo.

### 6 Presa RCA INPUT

Presse di ingresso sbilanciata RCA a spillo.

### 7 Interruttore POWER

Consente di accendere o spegnere questa unità.

### ! ATTENZIONE

Prima di accendere l'unità, verificare che l'interruttore [VOLTAGE SELECTOR] sia impostato sulla tensione appropriata per il paese o la regione dove si utilizzeranno i diffusori. Se l'interruttore [VOLTAGE SELECTOR] non è correttamente impostato, contattare il Centro assistenza Pioneer richiedendo l'impostazione corretta della tensione e la sostituzione del fusibile. Al momento della spedizione, un fusibile della tensione appropriata è installato nel prodotto. Il fusibile deve essere sostituito nel caso in cui sia necessario modificare l'impostazione della tensione.

### 8 Interruttore VOLTAGE SELECTOR

Questo interruttore consente di selezionare la tensione appropriata per il paese/regione di utilizzo del prodotto. Non deve essere utilizzato direttamente dall'utente.

### 9 AC IN

Collegare il cavo di alimentazione in dotazione qui e ad una presa di corrente alternata. Non collegare il cavo di alimentazione prima di aver completato i collegamenti. Usare solo il cavo di alimentazione in dotazione.

### 10 Alloggiamento fusibile

---

---

# Installazione e collegamenti

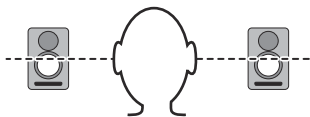
---

---

## Come installare l'unità

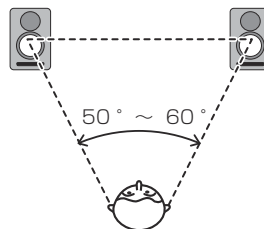
La riproduzione di un diffusore viene influenzata dalle condizioni presenti nella stanza di ascolto. Per ottenere condizioni di ascolto ottimali, tenere in considerazione le caratteristiche di ambiente prima di iniziare l'installazione.

- Posizionare i diffusori a livello degli occhi.



- Per ottenere un effetto stereo naturale, installare i diffusori di sinistra e destra in posizioni simmetriche ed equidistanti dalla posizione di ascolto.

- I diffusori dovrebbero trovarsi a  $30^\circ$  dalla posizione di ascolto, formando insieme un angolo di  $60^\circ$ , ed essere diretti verso la posizione di ascolto stessa.



### **ATTENZIONE**

Per facilitare il raffreddamento, controllare che ci sia spazio sufficiente fra i diffusori e le pareti vicine o altri componenti (almeno 30 cm sopra, dietro e sui due lati di ciascun diffusore). Lasciando spazio insufficiente fra i diffusori ed i muri o altri componenti si possono causare surriscaldamenti, e quindi malfunzionamenti o guasti.

---

---

## Collegamenti

- Prima di fare o modificare i collegamenti, spegnere sempre questa unità e scollegarne il cavo di alimentazione dalla presa di corrente alternata.
- Non mancare inoltre di leggere le istruzioni per l'uso degli altri componenti da collegare a questi diffusori.
- Non collegare il cavo di alimentazione prima di aver completato i collegamenti.
- Usare solo il cavo di alimentazione in dotazione.
- Non collegare il connettore XLR INPUT e la Presa TRS INPUT allo stesso tempo.
- Assicurarsi di impostare un livello sonoro appropriato, in quanto i segnali in entrata al connettore XLR INPUT (o al Presa TRS INPUT) e al connettore di ingresso RCA possono mescolarsi influenzando il livello sonoro.

# Informazioni supplementari

## Diagnostica

- Se si ritiene che questa unità non funzioni bene, controllare quanto segue. Controllare anche gli altri dispositivi collegati a questa unità. Se il problema persiste, consultare il vostro negoziante di fiducia.
- In altre occasioni, questa unità potrebbe non funzionare a dovere a causa di elettricità statica o altri fattori. In tal caso, scollegare il cavo di alimentazione ed attendere cinque minuti o più, poi ricollegare il cavo e controllare che l'unità funzioni a dovere.

Problema	Controlli da fare	Rimedio
L'unità non si accende.	Il cavo di alimentazione è collegato bene?	Collegare il cavo di alimentazione ad una presa di corrente.
Nessun suono dai dispositivi collegati, o il volume è molto basso.	Il dispositivo audio collegato è bene installato?	Impostare correttamente l'ingresso esterno e il volume di uscita del dispositivo.
	Il cavo di collegamento è collegato correttamente?	Collegare correttamente i cavi.
	I connettori o gli spinotti sono sporchi?	Pulire i connettori e gli spinotti prima di procedere con i collegamenti.
	Il livello audio è corretto?	Ruotare la leva <b>[LEVEL]</b> del pannello posteriore in senso orario e abbassare il volume.
	Il sistema è acceso?	Accendere l'interruttore <b>[POWER]</b> del pannello posteriore.
L'illuminazione (indicatore POWER) rimane disattivata.	La funzione auto standby è attivata?	Spegnere l'interruttore <b>[POWER]</b> del pannello posteriore, attendere alcuni secondi, quindi accenderlo di nuovo.
	Il sistema è acceso?	Accendere l'interruttore <b>[POWER]</b> del pannello posteriore.
I diffusori non escono dalla modalità standby (non si attivano).	La funzione auto standby è attivata?	Spegnere l'interruttore <b>[POWER]</b> del pannello posteriore, attendere alcuni secondi, quindi accenderlo di nuovo.
	Il livello del segnale in ingresso è basso?	Aumentare il livello del segnale in ingresso. Spegnere l'interruttore <b>[AUTO STANDBY]</b> per disattivare la funzione auto standby.
Il suono è distorto.	Il livello audio è corretto?	Ruotare lentamente la leva <b>[LEVEL]</b> del pannello posteriore in senso antiorario e abbassare il volume.
	Il livello di uscita del dispositivo audio esterno è corretto?	Regolare il livello di uscita del dispositivo audio collegato.
Feedback (un sibilo continuo)	Il livello audio è corretto?	Ruotare lentamente la leva <b>[LEVEL]</b> del pannello posteriore in senso antiorario e abbassare il volume.



## Marchi di fabbrica

- Pioneer è un marchio di fabbrica depositato della PIONEER CORPORATION.
- Tutti gli altri nomi di società e nomi di prodotti sono marchi registrati o marchi dei rispettivi proprietari.

## Dati tecnici

	S-DJ50X/S-DJ50X-W	S-DJ60X	S-DJ80X
Tipo	Diffusore attivo a 2 vie bi-amp		
<b>Amplificatore</b>			
Amplificatore LF	30 W	50 W	70 W
Amplificatore HF	15 W	20 W	20 W
Connettori d'ingresso (ingresso bilanciato)	XLR × 1, TRS (fono da 1/4") × 1		
Connettori d'ingresso (ingresso sbilanciato)	RCA × 1		
Impedenza	10 kΩ		
<b>Diffusore</b>			
Cassa	Bass reflex		
Materiale cassa	MDF		
Woofers (driver LF)	Cono da 13 cm	Cono da 15 cm	Cono da 20 cm
Tweeter (driver HF)	Cupola morbida da 2,5 cm		
Risposta in frequenza	Da 50 Hz a 20 kHz	Da 45 Hz a 20 kHz	Da 40 Hz a 20 kHz
<b>Unità di potenza/altro</b>			
Tensioni supportate	Conversione 100 V a 120 V (50 Hz a 60 Hz) / 220 V a 240 V (50 Hz a 60 Hz)		
Consumo	100 W	140 W	160 W
Consumo durante modalità standby	0,5 W o meno		
Dimensioni esterne L × A × P	197 mm × 301 mm × 262 mm	228 mm × 342 mm × 295 mm	276 mm × 401 mm × 315 mm
Peso	6,5 kg	8,5 kg	11,8 kg

Caratteristiche tecniche e design sono soggetti a modifiche senza preavviso a causa di migliorie.  
© 2013 PIONEER CORPORATION. Tutti i diritti riservati.

Hartelijk dank voor de aanschaf van dit Pioneer product. Lees de handleiding aandachtig door zodat u volledig op de hoogte bent van de bediening en werking. Bewaar de handleiding op een veilige plaats voor eventuele naslag in de toekomst.

## LET OP

OM HET GEVAAR VOOR EEN ELEKTRISCHE SHOCK TE VOORKOMEN, DEKSEL (OF RUG) NIET VERWIJDEREN. AAN DE BINNENZIJD BEVINDEN ZICH GEEN ELEMENTEN DIE DOOR DE GEBRUIKER KUNNEN BEDIEND WORDEN. ENKEL DOOR GEKWALIFICEERD PERSONEEL TE BEDIENEN.

D3-4-2-1-1\_B2\_NI

## WAARSCHUWING

Dit apparaat is niet waterdicht. Om brand of een elektrische schok te voorkomen, mag u geen voorwerp dat vloeistof bevat in de buurt van het apparaat zetten (bijvoorbeeld een bloemenvaas) of het apparaat op andere wijze blootstellen aan waterdruppels, opspattend water, regen of vocht.

D3-4-2-1-3\_A1\_NI

## WAARSCHUWING

Om brand te voorkomen, mag u geen open vuur (zoals een brandende kaars) op de apparatuur zetten.

D3-4-2-1-7a\_A1\_NI

## BELANGRIJKE INFORMATIE BETREFFENDE DE VENTILATIE

Let er bij het installeren van het apparaat op dat er voldoende vrije ruimte rondom het apparaat is om een goede doorstroming van lucht te waarborgen (tenminste 30 cm boven, 30 cm achter en 30 cm aan de zijkanten van het apparaat).

## WAARSCHUWING

De gleuven en openingen in de behuizing van het apparaat zijn aangebracht voor de ventilatie, zodat een betrouwbare werking van het apparaat wordt verkregen en oververhitting wordt voorkomen. Om brand te voorkomen, moet u ervoor zorgen dat deze openingen nooit geblokkeerd worden of dat ze afgedekt worden door voorwerpen (kranten, tafelkleed, gordijn e.d.) of door gebruik van het apparaat op een dik tapijt of een bed.

D3-4-2-1-7b\*\_A1\_NI

## LET OP

De POWER schakelaar van dit apparaat koppelt het apparaat niet volledig los van het lichtnet. Aangezien er na het uitschakelen van het apparaat nog een kleine hoeveelheid stroom blijft lopen, moet u de stekker uit het stopcontact halen om het apparaat volledig van het lichtnet los te koppelen. Plaats het apparaat zodanig dat de stekker in een noodgeval gemakkelijk uit het stopcontact kan worden gehaald. Om brand te voorkomen, moet u de stekker uit het stopcontact halen wanneer u het apparaat langere tijd niet denkt te gebruiken (bijv. wanneer u op vakantie gaat).

D3-4-2-2-2a\*\_A1\_NI

## Gebruiksomgeving

Temperatuur en vochtigheidsgraad op de plaats van gebruik:

+5 °C tot +35 °C, minder dan 85 % RH (ventilatieopeningen niet afgedekt)

Zet het apparaat niet op een slecht geventileerde plaats en stel het apparaat ook niet bloot aan hoge vochtigheid of direct zonlicht (of sterke kunstmatige verlichting).

D3-4-2-1-7c\*\_A1\_NI

## WAARSCHUWING

Dit apparaat is uitgerust met een drie-draden (geaarde) stekker – de stekker heeft dus een derde pen (aardpen). Deze stekker past alleen in een geaard stopcontact. Als u de stekker niet in het stopcontact kunt steken, moet u contact opnemen met een bevoegde elektricien om het stopcontact te laten vervangen door een geaard stopcontact. Verwijder nooit de aardbeveiliging van de stekker.

D3-4-2-1-6\_A1\_NI

Dit apparaat is bestemd voor normaal huishoudelijk gebruik. Indien het apparaat voor andere doeleinden of op andere plaatsen wordt gebruikt (bijvoorbeeld langdurig gebruik in een restaurant voor zakelijke doeleinden, of gebruik in een auto of boot) en als gevolg hiervan defect zou raken, zullen de reparaties in rekening gebracht worden, ook als het apparaat nog in de garantieperiode is.

K041\_A1\_NI

Bevestig deze luidsprekers niet aan de muur of het plafond, want als de luidsprekers vallen kunnen ze letsel veroorzaken.

SGK007\*\_A1\_NI

## WAARSCHUWING NETSNOER

Pak het netsnoer beet bij de stekker. Trek de stekker er niet uit door aan het snoer te trekken en trek nooit aan het netsnoer met natte handen aangezien dit kortsluiting of een elektrische schok tot gevolg kan hebben. Plaats geen toestel, meubelstuk o.i.d. op het netsnoer, en klem het niet vast. Maak er nooit een knoop in en verbind het evenmin met andere snoeren. De netsnoeren dienen zo te worden geleid dat er niet per ongeluk iemand op gaat staan. Een beschadigd netsnoer kan brand of een elektrische schok veroorzaken. Controleer het netsnoer af en toe. Wanneer u de indruk krijgt dat het beschadigd is, dient u bij uw dichtstbijzijnde erkende PIONEER onderhoudscentrum of uw dealer een nieuw snoer te kopen.

S002\*\_A1\_NI



Deponeer dit product niet bij het gewone huishoudelijk afval wanneer u het wilt verwijderen. Er bestaat een speciaal wettelijk voorgeschreven verzamelstelsel voor de juiste behandeling, het opnieuw bruikbaar maken en de recycling van gebruikte elektronische producten.

In de lidstaten van de EU, Zwitserland en Noorwegen kunnen particulieren hun gebruikte elektronische producten gratis bij de daarvoor bestemde verzamelplaatsen of een verkooppunt (indien u aldaar een gelijkwaardig nieuw product koopt) inleveren.

Indien u zich in een ander dan bovengenoemd land bevindt kunt u contact opnemen met de plaatselijke overheid voor informatie over de juiste verwijdering van het product.

Zodoende zorgt u ervoor dat het verwijderde product op de juiste wijze wordt behandeld, opnieuw bruikbaar wordt gemaakt, gerecycled en het niet schadelijk is voor de gezondheid en het milieu.

K058b\_A1\_NI

# Inleiding

## Hoofdkenmerken

De directionaliteit van hoogfrequente tonen en de geluidsdiffusie werden verbeterd door een convexe diffusor op de golfpijp te plaatsen.

De conus van aramidevezel is licht en bijzonder stijf en levert daardoor een uitstekende basrespons.

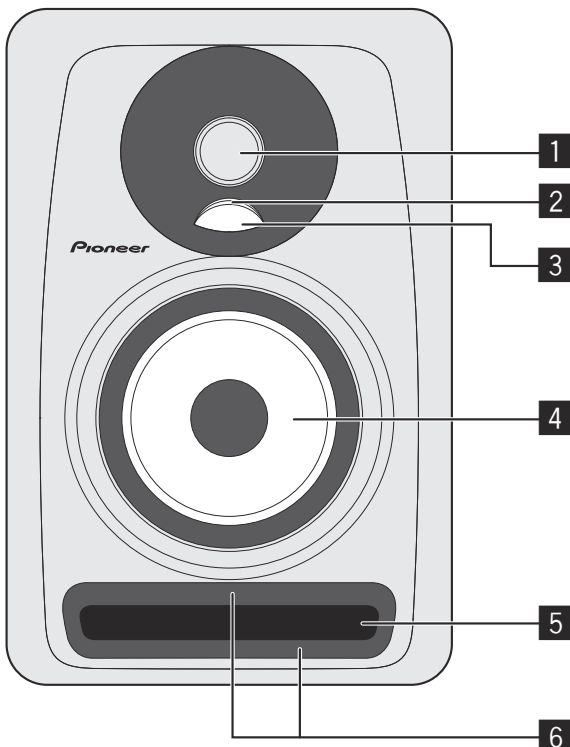
De gleuf in het basreflectiekanaal regelt de luchtstroom en zorgt voor krachtige lage tonen met weinig geluidsverlies.

## Controleer alle accessoires

- Stroomsnoer (1)
- Handleiding (dit document)
- Garantiekaart

# Benaming en functie van de onderdelen

## Voorzieningen op het voorpaneel



**1 Zachtekoepeltweeter van 1 inch met hoge resolutie**

**2 Verlichting (POWER-aanduiding)**

Deze licht op afhankelijk of de stroom is in- of uitgeschakeld. De aanduiding licht niet op wanneer de luidsprekers in de ruststand zijn.

**3 Diffusor**

Deze verbetert de directionaliteit en de diffusie van hoge tonen.

**4 Woofer van aramidevezel**

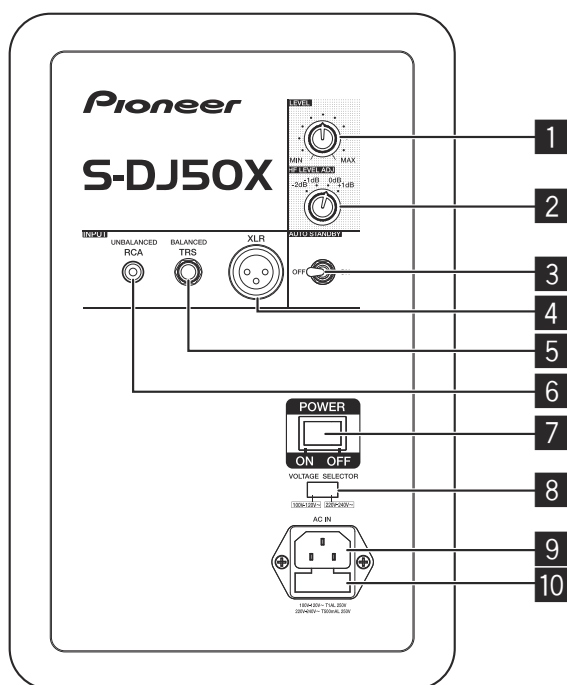
De lichte en bijzonder stijve conus levert een uitstekende basrespons.

**5 Basreflectiekanaal**

**6 Gleuf**

Deze regelt de luchtstroom in het basreflectiekanaal en zorgt voor krachtige lage tonen met zeer weinig geluidsverlies.

## Voorzieningen op het achterpaneel



\* In de afbeelding wordt de S-DJ50X getoond.

### 1 LEVEL-knop

Gebruik deze regelaar om de geluidssterkte (het volume) in te stellen.

### 2 HF LEVEL ADJ-knop

Gebruik deze regelaar om geluid met hoge frequenties aan te passen.

U kunt  $-2$  dB,  $-1$  dB,  $0$  dB en  $1$  dB selecteren.

### 3 AUTO STANDBY-schakelaar

Met deze schakelaar zet u de automatische stand-byfunctie aan of uit.

Als de automatische stand-byfunctie is ingeschakeld, schakelen de luidsprekers automatisch over naar de energiezuinige ruststand (stand-by) als gedurende een bepaalde tijd (ongeveer 25 minuten) geen signaal wordt ontvangen. Als in de ruststand een signaal wordt ontvangen, worden de luidsprekers automatisch uit de ruststand geactiveerd.

- De verlichting (POWER-aanduiding) op het voorpaneel dooft wanneer de luidsprekers overschakelen naar de ruststand.
- Als hetingangssignaal zwakker is dan een bepaald niveau, worden de luidsprekers mogelijk niet automatisch geactiveerd uit de ruststand. Zet in dat geval de [AUTO STANDBY]-schakelaar uit om de luidsprekers te gebruiken.
- Als u de luidsprekers geforceerd wilt activeren uit de ruststand, zet u de [POWER]-schakelaar op het achterpaneel een keer uit en na enkele seconden weer aan.

### 4 XLR INPUT-aansluiting

XLR-type, gebalanceerde ingangsaansluiting. De penopstelling van de aansluiting is als volgt: Nr. 1 Aarde, Nr. 2 Spanning en Nr. 3 Geen spanning.

### 5 TRS INPUT-aansluiting

Gebalanceerde ingang, klinkstekkerbus.

### ! LET OP

Maak niet twee aansluitingen tegelijk op de XLR INPUT-aansluiting en de TRS INPUT-aansluiting.

### 6 RCA INPUT-aansluiting

RCA-tulpstekkertype, ongebalanceerde ingangsaansluitingen.

### 7 POWER-schakelaar

Gebruik deze schakelaar om de stroom in en uit te schakelen.

### ! LET OP

Controleer voordat u de stroom inschakelt of de [VOLTAGE SELECTOR]-schakelaar is ingesteld op de juiste spanning voor het land waarin de luidsprekers worden gebruikt. Als de [VOLTAGE SELECTOR]-schakelaar niet correct is ingesteld, moet u contact opnemen met een onderhoudscentrum van Pioneer. Vraag om aanpassing van de spanningsinstelling en vervanging van de zekering. Bij de levering is in het product een zekering voor de juiste spanning geïnstalleerd. Als de spanning wordt gewijzigd, moet de zekering worden vervangen.

### 8 VOLTAGE SELECTOR-schakelaar

Deze schakelaar wordt gebruikt om de geschikte spanning in te stellen voor het land van gebruik. U mag deze schakelaar niet zelf gebruiken.

### 9 AC IN

Sluit hierop het bijgeleverde stroomsnoer aan en steek dan de stekker in een stopcontact. Sluit het stroomsnoer pas aan nadat alle andere aansluitingen zijn voltooid. Gebruik alleen het bijgeleverde stroomsnoer.

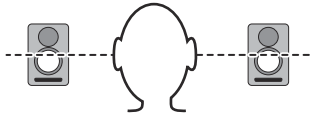
### 10 Zekeringhouder

# Installatie en aansluitingen

## Installatiewijze

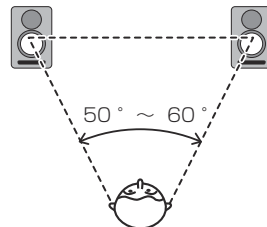
Het weergavegeluid van luidsprekers wordt beïnvloed door de omstandigheden in de luisterruimte. Om een optimale luisteromgeving te creëren, moet u terdege rekening houden met de omstandigheden op de installatieplaats voordat u met de feitelijke installatie begint.

- Plaats de luidsprekers op oorniveau.



- Voor een natuurlijk stereo-effect moeten de linker en de rechter luidspreker symmetrisch en op gelijke afstand van de luisterplaats worden opgesteld.

- In het ideale geval moeten de luidsprekers onder een hoek van 30° graden ten opzichte van de luisterplaats worden opgesteld (ze vormen samen een hoek van 60° graden) en naar binnen gedraaid worden naar de luisterplaats toe.



### ⚠ LET OP

Voor een goede koeling moet u ervoor zorgen dat er voldoende ruimte is tussen de luidsprekers en eventuele muren of andere componenten in de buurt (er moet minimaal 30 cm vrije ruimte zijn boven, achter, en rechts en links van elke luidspreker). Wanneer er onvoldoende ruimte is tussen de luidspreker en de muur of andere componenten, kan de temperatuur in het inwendige te hoog oplopen met een defect of beschadiging tot gevolg.

## Aansluitingen

- Schakel de stroom uit en haal de stekker uit het stopcontact voordat u begint met het maken of wijzigen van de aansluitingen.
- Lees ook de handleiding van de andere apparatuur waarop deze luidsprekers worden aangesloten.
- Sluit het stroomsnoer pas aan nadat alle andere aansluitingen zijn voltooid.

- Gebruik alleen het bijgeleverde stroomsnoer.
- Maak niet twee aansluitingen tegelijk op de XLR INPUT-aansluiting en de TRS INPUT-aansluiting.
- Stel de geluidsterkte correct in omdat deingangssignalen naar de XLR INPUT-aansluiting (of TRS INPUT-aansluiting) en de RCA INPUT-aansluiting gemengd worden en de geluidsterkte daardoor beïnvloed wordt.

# Aanvullende informatie

## Problemen oplossen

- Als u denkt dat het apparaat niet juist functioneert, kunt u de volgende punten controleren. Controleer ook de apparatuur waarop dit apparaat is aangesloten. Neem contact op met uw dealer voor reparatie als het probleem blijft bestaan.
- Soms is het mogelijk dat het apparaat niet juist functioneert als gevolg van statische elektriciteit of andere externe invloeden. Haal in dat geval de stekker uit het stopcontact, wacht vijf minuten of langer, steek daarna weer de stekker in het stopcontact, en controleer vervolgens of het apparaat juist werkt.

Symptoom	Controlepunten	Maatregel
Geen stroom	Is het stroomsnoer juist aangesloten?	Sluit het stroomsnoer op een stopcontact aan.
Het geluid van de aangesloten geluidsapparaten wordt niet weergegeven of het geluid is erg zacht.	Zijn de juiste instellingen gemaakt op het aangesloten apparaat?	Stel de externe ingang van het betreffende apparaat en de geluidssterkte juist in.
	Is de verbindingkabel juist aangesloten?	Sluit alle kabels correct aan.
	Zijn de aansluitingen of de stekkers vuil?	Maak de aansluitingen en de stekkers schoon voordat u ze gebruikt.
	Is het geluidsniveau juist ingesteld?	Draai de <b>[LEVEL]</b> -knop op het achterpaneel rechtsom en zet het volume hoger.
	Is de stroom ingeschakeld?	Zet de <b>[POWER]</b> -schakelaar op het achterpaneel aan.
De verlichting (POWER-aanduiding) blijft uitgeschakeld.	Is de automatische stand-byfunctie ingeschakeld?	Zet de <b>[POWER]</b> -schakelaar op het achterpaneel uit, wacht enkele seconden, en zet hem weer aan.
	Is de stroom ingeschakeld?	Zet de <b>[POWER]</b> -schakelaar op het achterpaneel aan.
De luidsprekers herstellen zich niet (worden niet ingeschakeld) uit de ruststand.	Is de automatische stand-byfunctie ingeschakeld?	Zet de <b>[POWER]</b> -schakelaar op het achterpaneel uit, wacht enkele seconden, en zet hem weer aan.
	Is het ingangssignaal zwak?	Verhoog het niveau van het ingangssignaal. Schakel de automatische stand-byfunctie uit met de <b>[AUTO STANDBY]</b> -schakelaar.
Het geluid is vervormd.	Is het geluidsniveau juist ingesteld?	Draai de <b>[LEVEL]</b> -knop op het achterpaneel langzaam linksom en zet het volume lager.
	Is het uitgangsniveau van het aangesloten geluidsapparaat juist ingesteld?	Stel het uitgangsniveau van het aangesloten geluidsapparaat correct in.
Terugkoppeling (continu hoog zoemgeluid)	Is het geluidsniveau juist ingesteld?	Draai de <b>[LEVEL]</b> -knop op het achterpaneel langzaam linksom en zet het volume lager.

## Handelsmerken

- Pioneer is een gedeponeerd handelsmerk van PIONEER CORPORATION.
- Andere namen van bedrijven en producten zijn gedeponeerde handelsmerken of handelsmerken van de betreffende bedrijven.

## Technische gegevens

	S-DJ50X/S-DJ50X-W	S-DJ60X	S-DJ80X
Type	Actieve tweewegluidspreker met biversterker		
<b>Versterker</b>			
LF-versterker	30 W	50 W	70 W
HF-versterker	15 W	20 W	20 W
Ingangsaansluitingen (gebalanceerde ingang)	XLR × 1, TRS (1/4-inch klinkstekkerbus) × 1		
Ingangsaansluitingen (niet-gebalanceerde ingang)	RCA × 1		
Impedantie	10 kΩ		
<b>Luidspreker</b>			
Behuizing	Basreflex		
Materiaal behuizing	MDF		
Woofler (LF-sturing)	13 cm conus	15 cm conus	20 cm conus
Tweeter (HF-sturing)	2,5 cm zachte koepel		
Weergavekarakteristiek	50 Hz tot 20 kHz	45 Hz tot 20 kHz	40 Hz tot 20 kHz
<b>Voedingseenheid/overige</b>			
Bruikbare spanning	100 V tot 120 V (50 Hz tot 60 Hz) / 220 V tot 240 V (50 Hz tot 60 Hz) conversie		
Stroomverbruik	100 W	140 W	160 W
Stroomverbruik in ruststand	0,5 W of minder		
Buitenafmetingen W × H × D	197 mm × 301 mm × 262 mm	228 mm × 342 mm × 295 mm	276 mm × 401 mm × 315 mm
Gewicht	6,5 kg	8,5 kg	11,8 kg

Wijzigingen in ontwerp en technische gegevens voorbehouden, zonder voorafgaande kennisgeving.  
© 2013 PIONEER CORPORATION. Alle rechten voorbehouden.

Muchas gracias por la adquisición de este producto Pioneer.

Lea todo este manual de instrucciones para aprender a operar correctamente su modelo. Después de haber leído las instrucciones, guarde el manual en un lugar seguro para poderlo consultar en el futuro.

## PRECAUCIÓN

PARA PREVENIR EL PELIGRO DE CHOQUE ELÉCTRICO NO REMOVER LA TAPA NI LAS PARTES DENTRO NO UTILIZADAS, LLAMAR UNA PERSONA CUALIFICADA.

D3-4-2-1-1\_B2\_Es

## ADVERTENCIA

Este aparato no es impermeable. Para evitar el riesgo de incendio y de descargas eléctricas, no ponga ningún recipiente lleno de líquido (como pueda ser un vaso o un florero) cerca del aparato ni lo exponga a goteo, salpicaduras, lluvia o humedad.

D3-4-2-1-3\_A1\_Es

## ADVERTENCIA

Para evitar el peligro de incendio, no ponga nada con fuego encendido (como pueda ser una vela) encima del aparato.

D3-4-2-1-7a\_A1\_Es

## PRECAUCIÓN PARA LA VENTILACIÓN

Cuando instale este aparato, asegúrese de dejar espacio en torno al mismo para la ventilación con el fin de mejorar la disipación de calor (por lo menos 30 cm encima, 30 cm detrás, y 30 cm en cada lado).

## ADVERTENCIA

Las ranuras y aberturas de la caja del aparato sirven para su ventilación para poder asegurar un funcionamiento fiable del aparato y para protegerlo contra sobrecalentamiento. Para evitar el peligro de incendio, las aberturas nunca deberán taparse ni cubrirse con nada (como por ejemplo, periódicos, manteles, cortinas) ni ponerse en funcionamiento el aparato sobre una alfombra gruesas o una cama.

D3-4-2-1-7b\*\_A1\_Es

## Entorno de funcionamiento

Temperatura y humedad del entorno de funcionamiento +5 °C a +35 °C; menos del 85 % de humedad relativa (rejillas de refrigeración no obstruidas)

No instale este aparato en un lugar mal ventilado, ni en lugares expuestos a alta humedad o a la luz directa del sol (o de otra luz artificial potente).

D3-4-2-1-7c\*\_A1\_Es

## ADVERTENCIA

Este producto está provisto de una clavija de tres conductores con toma de tierra (puesta a tierra) cuya tercera patilla es la de toma de tierra. Esta clavija sólo se adapta en una toma de corriente del tipo de toma de tierra. Si no puede insertar la clavija en la toma de corriente, llame a un electricista profesional para que le reemplace la toma de corriente por otra con toma de tierra que sea adecuada. No elimine el dispositivo de seguridad de la clavija con toma de tierra.

D3-4-2-1-6\_A1\_Es

## PRECAUCIÓN

El interruptor de la alimentación POWER de este aparato no corta por completo toda la alimentación de la toma de corriente de CA. Puesto que el cable de alimentación hace las funciones de dispositivo de desconexión de la corriente para el aparato, para desconectar toda la alimentación del aparato deberá desenchufar el cable de la toma de corriente de CA. Por lo tanto, asegúrese de instalar el aparato de modo que el cable de alimentación pueda desenchufarse con facilidad de la toma de corriente de CA en caso de un accidente. Para evitar correr el peligro de incendio, el cable de alimentación también deberá desenchufarse de la toma de corriente de CA cuando no se tenga la intención de utilizarlo durante mucho tiempo seguido (por ejemplo, antes de irse de vacaciones).

D3-4-2-2a\*\_A1\_Es

Este producto es para tareas domésticas generales. Cualquiera avería debida a otra utilización que tareas domésticas (tales como el uso a largo plazo para motivos de negocios en un restaurante o el uso en un coche o un barco) y que necesita una reparación hará que cobrarla incluso durante el período de garantía.

K041\_A1\_Es

No fije estos altavoces a una pared ni al techo, ya que podrían caerse y ocasionar lesiones.

SGK007\*\_A1\_Es

## PRECAUCIONES CONCERNIENTES A LA MANIPULACIÓN DEL CABLE DE ALIMENTACIÓN

Tome el cable de alimentación por la clavija. No extraiga la clavija tirando del cable. Nunca toque el cable de alimentación cuando sus manos estén mojadas, ya que esto podría causar cortocircuitos o descargas eléctricas. No coloque la unidad, algún mueble, etc., sobre el cable de alimentación.

Asegúrese de no hacer nudos en el cable ni de unirlo a otros cables. Los cables de alimentación deberán ser dispuestos de tal forma que la probabilidad de que sean pisados sea mínima. Una cable de alimentación dañado podrá causar incendios o descargas eléctricas. Revise el cable de alimentación está dañado, solicite el reemplazo del mismo al centro de servicio autorizado PIONEER más cercano, o a su distribuidor.

S002\*\_A1\_Es





Si desea deshacerse de este producto, no lo mezcle con los residuos generales de su hogar. De conformidad con la legislación vigente, existe un sistema de recogida distinto para los productos electrónicos que requieren un procedimiento adecuado de tratamiento, recuperación y reciclado.

Las viviendas privadas en los estados miembros de la UE, en Suiza y Noruega pueden devolver gratuitamente sus productos electrónicos usados en las instalaciones de recolección previstas o bien en las instalaciones de minoristas (si adquieren un producto similar nuevo).

En el caso de los países que no se han mencionado en el párrafo anterior, póngase en contacto con sus autoridades locales a fin de conocer el método de eliminación correcto.

Al actuar siguiendo estas instrucciones, se asegurará de que el producto de desecho se somete a los procesos de tratamiento, recuperación y reciclaje necesarios, con lo que se previenen los efectos negativos potenciales para el entorno y la salud humana.

K058b\_A1\_Es

# Introducción

## Características principales

El difusor en la guía de ondas mejora la directividad del sonido y proporciona un sonido espacioso.

El cono de fibra aramida es ligero y extremadamente rígido y proporciona la mejor respuesta de los graves.

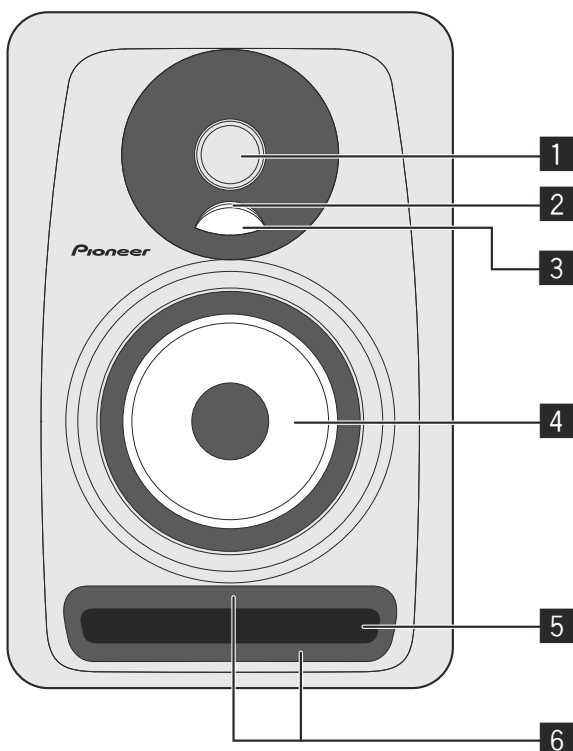
Las ranuras en el conducto bass-reflex mejora el flujo de aire y proporciona potencia de graves sin pérdidas.

## Confirmación de todos los accesorios

- Cable de alimentación (1)
- Manual de instrucciones (este documento)
- Tarjeta de garantía

# Nomenclatura y funciones de las partes

## Elementos del panel frontal



**1 Altavoz de agudos de domo blando de 1 pulgada y alta resolución**

**2 Iluminación (indicador POWER)**

Se enciende dependiendo de si la unidad está encendida o apagada. El indicador no se enciende si los altavoces están en el modo de espera.

**3 Difusor**

Mejora la direccionalidad y la difusión de los sonidos de alta frecuencia.

**4 Altavoz de graves de fibra de aramida**

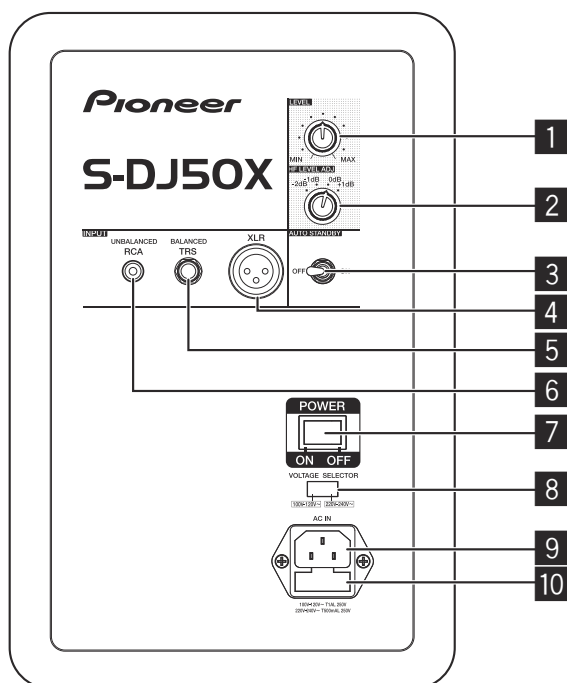
Los conos ligeros y extremadamente rígidos proporcionan la mejor respuesta de graves.

**5 Conducto bass-reflex**

**6 Ranura**

Regula el flujo de aire en el conducto bass-reflex para permitir sonidos potentes de frecuencia baja y con pérdidas muy reducidas de sonido.

## Elementos del panel trasero



\* En la ilustración se muestra el S-DJ50X.

### 1 Control LEVEL

Se emplea para ajustar el nivel del sonido (el volumen).

### 2 Control HF LEVEL ADJ

Se emplea para ajustar el sonido de las altas frecuencias. Se puede seleccionar entre -2 dB, -1 dB, 0 dB y 1 dB.

### 3 Interruptor AUTO STANDBY

Se emplea para activar o desactivar la función de espera automática.

Si la función de espera automática está activada, los altavoces entran automáticamente en el modo de espera si no se recibe ninguna señal de entrada durante un cierto período de tiempo (aproximadamente 25 minutos) y se puede reducir así el consumo eléctrico. Si se recibe una señal de entrada mientras los altavoces se encuentran en el modo de espera, estos reanudarán automáticamente su funcionamiento desde el modo de espera.

- La iluminación (indicador POWER) en el panel frontal se apaga cuando los altavoces están en el modo de espera.
- Si la señal de entrada es más débil que un cierto nivel, los altavoces pueden no poder reanudarse automáticamente del modo de espera. En tales casos, apague el interruptor [AUTO STANDBY] para poder utilizar los altavoces.
- Para forzar los altavoces a que se reanuden del modo de espera, apague el interruptor [POWER] en el panel trasero una vez y vuelva a encenderlo en unos pocos segundos.

### 4 Conector XLR INPUT

Conector de entrada equilibrada del tipo XLR. La disposición de las patillas del conector es la siguiente: N.º 1 Masa, N.º 2 Activo y N.º 3 Retorno.

### 5 Toma TRS INPUT

Toma de auriculares de entrada equilibrada.

### ! PRECAUCIÓN

No conecte al mismo tiempo el conector XLR INPUT y la toma TRS INPUT.

### 6 Toma RCA INPUT

Tomas de entrada desequilibrada del tipo de contactos RCA.

### 7 Interruptor POWER

Se emplea para conectar y desconectar la alimentación principal.

### ! PRECAUCIÓN

Antes de conectar la alimentación, asegúrese de que el interruptor [VOLTAGE SELECTOR] esté ajustado en el voltaje apropiado para el país o región donde se proponga utilizar los altavoces. Si el interruptor [VOLTAGE SELECTOR] no está ajustado correctamente, póngase en contacto con el centro de servicio y solicite cambiar el voltaje ajustado y sustituir el fusible. En el momento del envío hay un fusible montado con el voltaje adecuado en el producto. Si resulta necesario cambiar el ajuste del voltaje, se deberá sustituir el fusible.

### 8 Interruptor VOLTAGE SELECTOR

Este interruptor se utiliza para seleccionar los ajustes del voltaje apropiado para el país/región de uso. No está diseñado para el uso directo por el usuario.

### 9 AC IN

Enchufe el cable de alimentación accesorio aquí y a una toma de corriente de CA. No enchufe el cable de alimentación hasta haber completado todas las demás conexiones. Emplee solo el cable de alimentación accesorio suministrado.

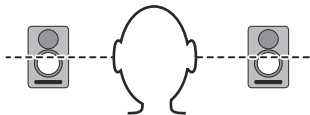
### 10 Portafusibles

# Instalación y conexiones

## Modo de instalación

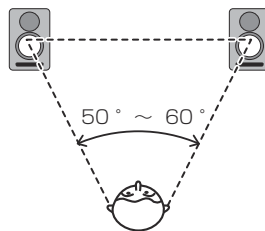
El sonido de reproducción de un altavoz queda ligeramente afectado por las condiciones de la sala de audición. Para producir las mejores condiciones para la audición, tenga debidamente en cuenta las condiciones del lugar de instalación antes de comenzar la instalación.

- Coloque los altavoces al nivel de los oídos.



- Para obtener un efecto estéreo natural, los altavoces derecho e izquierdo deben instalarse simétricamente y en posiciones equidistantes de la posición de audición.

- Idealmente, los altavoces deben situarse en ángulos de 30° de la posición de audición (formando en su conjunto un ángulo total de 60°), y deben girarse hacia adentro para orientarlos hacia la posición de audición.



### PRECAUCIÓN

Para conseguir el enfriamiento adecuado, asegúrese de dejar espacio suficiente entre los altavoces y las paredes circundantes u otros componentes (un mínimo de 30 cm o más por encima, detrás y por los lados derecho e izquierdo de cada altavoz). Si no se deja espacio suficiente entre el altavoz y las paredes o los otros componentes, la temperatura del interior puede subir más de la cuenta y ser causa de mal funcionamiento o de averías.

## Conexiones

- Cuando desee realizar o cambiar conexiones, desconecte antes la alimentación y desenchufe el cable de alimentación de la toma de corriente.
- Lea también sin falta los manuales de instrucciones de los otros componentes a los que se proponga conectar estos altavoces.
- No enchufe el cable de alimentación hasta haber completado todas las demás conexiones.
- Emplee solo el cable de alimentación accesorio suministrado.
- No conecte al mismo tiempo el conector XLR INPUT y la toma TRS INPUT.
- Asegúrese de ajustar el nivel de sonido a un nivel adecuado, ya que las señales de entrada en el conector XLR INPUT (o la toma TRS INPUT) y la toma RCA INPUT se mezclarán, lo que afectará al nivel de sonido.

# Información adicional

## Solución de problemas

- Si usted cree que hay algo que no funciona como es debido en esta unidad, revise los puntos siguientes. Compruebe también los otros dispositivos conectados a la unidad. Si el problema persiste, solicite el servicio técnico a su distribuidor.
- Es posible que alguna vez la unidad no pueda funcionar correctamente debido a la electricidad estática o a otras condiciones externas. En tales casos, desenchufe el cable de alimentación y espere cinco o más minutos y luego vuelva a enchufarlo y compruebe si la unidad funciona correctamente.

Síntoma	Puntos de comprobación	Solución
No se conecta la alimentación	¿Está correctamente enchufado el cable de alimentación?	Enchufe el cable de alimentación a la toma de corriente.
No sale el sonido de los dispositivos de audio conectados o el sonido es muy bajo.	¿El dispositivo de audio conectado se ha ajustado correctamente?	Ajuste correctamente la entrada externa y el volumen del sonido del dispositivo.
	¿Está bien conectado el cable de conexión?	Conecte correctamente los cables.
	¿Están sucios los conectores o las clavijas?	Limpie los conectores y las clavijas antes de la conexión.
	¿Está bien ajustado el volumen del sonido?	Gire hacia la derecha el control <b>[LEVEL]</b> del panel trasero y sube el volumen.
	¿Está conectada la alimentación?	Encienda el interruptor <b>[POWER]</b> en el panel trasero.
La iluminación (indicador POWER) permanece apagada.	¿Está conectada la alimentación?	Encienda el interruptor <b>[POWER]</b> en el panel trasero.
	¿Está activada la función de espera automática?	Apague el interruptor <b>[POWER]</b> en el panel trasero una vez, espere algunos segundos y vuelva a encenderlo.
Los altavoces no se reanudan (se encienden) del modo de espera.	¿Es bajo el nivel de la señal de entrada?	Incremente el nivel de la señal de entrada. Apague el interruptor <b>[AUTO STANDBY]</b> para desactivar la función de espera automática.
	¿Está ajustado el volumen del sonido a un nivel adecuado?	Gire lentamente hacia la izquierda el control <b>[LEVEL]</b> del panel trasero y baje el volumen.
El sonido sale distorsionado.	¿Está correctamente ajustado el nivel de salida del dispositivo de audio conectado?	Ajuste correctamente el nivel de salida del dispositivo de audio conectado.
	¿Está bien ajustado el volumen del sonido?	Gire lentamente hacia la izquierda el control <b>[LEVEL]</b> del panel trasero y baje el volumen.
Realimentación acústica (sonido de aullido continuo)	¿Está bien ajustado el volumen del sonido?	Gire lentamente hacia la izquierda el control <b>[LEVEL]</b> del panel trasero y baje el volumen.

## Marcas comerciales

- Pioneer es una marca registrada de PIONEER CORPORATION.
- Los demás nombres listados de empresas y de un producto son marcas comerciales registradas de las empresas o marcas comerciales.

## Especificaciones

	S-DJ50X/S-DJ50X-W	S-DJ60X	S-DJ80X
Tipo	Altavoz activo de 2 vías de dos amplificadores		
<b>Amplificador</b>			
Amplificador de baja frecuencia	30 W	50 W	70 W
Amplificador de alta frecuencia	15 W	20 W	20 W
Conectores de entrada (entrada equilibrada)	XLR × 1, TRS (auriculares de 1/4 de pulgada) × 1		
Conectores de entrada (entrada desequilibrada)	RCA × 1		
Impedancia	10 kΩ		
<b>Altavoz</b>			
Caja acústica	Reflejo de graves		
Material de la caja acústica	MDF		
Altavoz de graves (controlador de baja frecuencia)	Cono de 13 cm	Cono de 15 cm	Cono de 20 cm
Altavoz de agudos (controlador de alta frecuencia)	Domo blando de 2,5 cm		
Respuesta de reproducción	50 Hz a 20 kHz	45 Hz a 20 kHz	40 Hz a 20 kHz
<b>Unidad de alimentación/otra</b>			
Voltajes admitidos	Conversión de 100 V a 120 V (50 Hz a 60 Hz) / 220 V a 240 V (50 Hz a 60 Hz)		
Consumo eléctrico	100 W	140 W	160 W
Consumo eléctrico durante el modo de espera	0,5 W o menos		
Dimensiones externas An × Al × Pr	197 mm × 301 mm × 262 mm	228 mm × 342 mm × 295 mm	276 mm × 401 mm × 315 mm
Peso	6,5 kg	8,5 kg	11,8 kg

Las especificaciones y el diseño están sujetos a posibles modificaciones sin previo aviso debido a mejoras.  
© 2013 PIONEER CORPORATION. Todos los derechos reservados.

Obrigado por adquirir este produto da Pioneer.

Leia atentamente estas instruções de funcionamento de modo a saber como utilizar correctamente o seu modelo. Após terminar de ler as instruções, coloque-as num local seguro para futura referência.

## CUIDADO

PARA PREVENIR O PERIGO DE CHOQUE ELÉCTRICO, NÃO REMOVA A COBERTURA (NEM A PARTE POSTERIOR). NÃO EXISTEM NO INTERIOR PEÇAS REPARÁVEIS PELO UTILIZADOR. A MANUTENÇÃO DEVE SER EFECTUADA POR PESSOAL ESPECIALIZADO.

D3-4-2-1-1\_B1\_Pt

## AVISO

Para prevenir o perigo de incêndio, não coloque fontes de chamas nuas (tais como uma vela acesa) sobre o aparelho.

D3-4-2-1-7a\_A1\_Pt

## CUIDADOS COM A VENTILAÇÃO

Quando instalar esta unidade, certifique-se de que deixa espaço em torno da unidade para ventilação de modo a melhorar a radiação térmica (pelo menos 30 cm na parte superior, 30 cm na parte posterior e 30 cm em cada um dos lados).

## AVISO

As ranhuras e as aberturas da caixa destinam-se a ventilação, para garantir o funcionamento fiável do produto e para evitar o seu sobreaquecimento. Para evitar riscos de incêndio, as aberturas nunca devem ser bloqueadas ou cobertas com coisas (como jornais, toalhas de mesa, cortinas) ou através do funcionamento do equipamento em cima de um tapete grosso ou uma cama.

D3-4-2-1-7b\*\_A1\_Pt

## Ambiente de funcionamento

Temperatura e humidade do ambiente de funcionamento:

+5 °C a +35 °C; humidade relativa inferior a 85 % (respiradouros de refrigeração não bloqueados)

Não instale o aparelho num espaço insuficientemente arejado ou em locais expostos a uma humidade elevada ou a luz solar directa (ou a iluminação artificial intensa).

D3-4-2-1-7c\*\_A1\_Pt

## AVISO

Este produto está equipado com uma de ficha ligação à terra de três fios - um ficha que possui um terceiro pino (ligação à terra). Esta ficha apenas encaixa numa tomada do tipo de ligação de terra. Se não conseguir inserir a ficha numa tomada, contacte com um electricista qualificado para substituir a tomada por uma com ligação à terra. Não descure os procedimentos de segurança dos cabos de ligação à terra.

D3-4-2-1-6\_A1\_Pt

## AVISO

Este aparelho não é à prova de água. Para prevenir o perigo de incêndio ou choque eléctrico, não coloque perto dele recipientes contendo líquidos (tais como uma jarra ou um vaso de flores) nem o exponha a pingos, salpicos, chuva ou humidade.

D3-4-2-1-3\_A1\_Pt

## CUIDADO

O botão **POWER** do aparelho não o desliga completamente da energia fornecida pela tomada CA. Uma vez que o cabo de alimentação serve como o principal dispositivo de desconexão, será necessário desligá-lo da tomada para desligar toda a alimentação. Por isso, verifique se a unidade foi instalada de forma que o cabo de alimentação possa ser facilmente desligado da tomada AC, em caso de acidente. Para prevenir o risco de incêndio, deverá desligar igualmente o cabo de alimentação de energia da tomada CA quando o aparelho não for utilizado durante um período prolongado (por exemplo, durante um período de férias).

D3-4-2-2-2a\*\_A1\_Pt

Este produto destina-se a utilização doméstica geral. A reparação de qualquer avaria devida a utilizações fora desse âmbito (como, por exemplo, utilização prolongada num restaurante, para efeitos comerciais, ou utilização num automóvel ou num barco) será cobrada, ainda que dentro da garantia.

K041\_A1\_Pt

Não fixe estas colunas em paredes ou no tecto, pois podem causar ferimentos em caso de queda.

SGK007\_A1\_Pt

## AVISO SOBRE O CABO DE ALIMENTAÇÃO

Manuseie o cabo de alimentação através da ficha. Não retire a ficha puxando o cabo e nunca toque no cabo de alimentação com as mãos húmidas, pois pode provocar um curto-circuito ou choque eléctrico. Não coloque a unidade, um móvel, etc., sobre o cabo de alimentação nem trilhe o cabo. Nunca faça um nó no cabo nem o amarre a outros cabos. Os cabos de alimentação devem ser encaminhados de modo a não serem pisados. Um cabo de alimentação danificado pode provocar um incêndio ou um choque eléctrico. Verifique periodicamente o cabo de alimentação. Quando estiver danificado, solicite um cabo de alimentação de substituição junto do seu vendedor ou centro de assistência autorizado PIONEER.

S002\*\_A1\_Pt



Se quiser eliminar este produto, não o misture com resíduos domésticos gerais. Existe um sistema de recolha separado para produtos electrónicos usados de acordo com a legislação que requer tratamento, recuperação e reciclagem adequados.

Os consumidores dos Estados-membros da UE, da Suíça e da Noruega podem entregar equipamentos electrónicos fora de uso em determinadas instalações de recolha ou a um retalhista (se adquirirem um equipamento novo similar).

Nos países não mencionados acima, informe-se sobre o método de eliminação correcto junto das autoridades locais.

Ao fazê-lo estará a garantir que o produto que já não tem utilidade para si é submetido a processos de tratamento, recuperação e reciclagem adequados, evitando-se assim potenciais efeitos negativos para o ambiente e a saúde humana.

K058b\_A1\_Pt

# Introdução

## Características principais

O difusor existente no guia de onda aumenta a direccionalidade do som tornando-o mais abrangente.

O cone de woofer em fibra de aramida é leve e extremamente rígido, o que permite que ofereça a melhor resposta de graves.

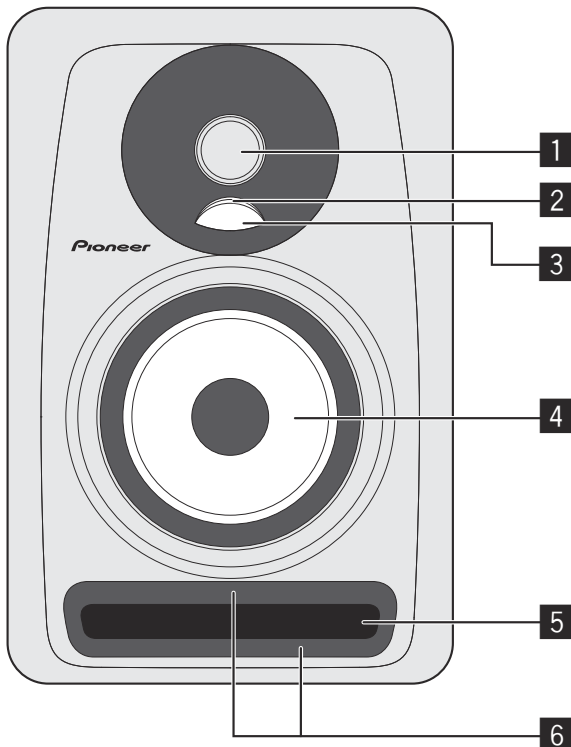
As ranhuras da conduta refletora de graves melhoram o fluxo de ar e permitem obter um desempenho de graves sem perdas.

## Confirmar todos os acessórios

- Cabo de alimentação (1)
- Manual de instruções (este documento)
- Cartão da garantia

# Nomes e funções dos componentes

## Componentes do painel frontal



**1 Tweeter de alta resolução de 1 polegada com cúpula macia**

**2 Iluminação (indicador POWER)**

Acende-se consoante a alimentação esteja ou não ligada. O indicador não se acende quando as colunas estão no modo de espera.

**3 Difusor**

Melhora o direccionamento e a difusão de sons de alta frequência.

**4 Woofer em fibra de aramida**

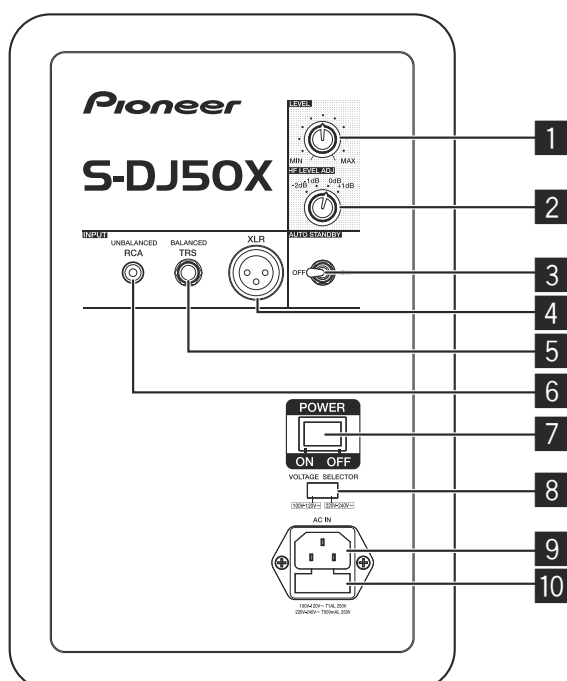
Cones leves e extremamente rígidos oferecem a melhor resposta de graves.

**5 Conduta refletora de graves**

**6 Abertura**

Regula o fluxo de ar na conduta refletora de graves para possibilitar sons potentes de baixa frequência com pouca perda de som.

## Componentes do painel posterior



\* A ilustração refere-se ao modelo S-DJ50X.

### 1 Botão LEVEL

Utilize este botão para ajustar o nível de som (volume).

### 2 Botão HF LEVEL ADJ

Utilize este botão para ajustar sons de alta frequência. Pode seleccionar -2 dB, -1 dB, 0 dB e 1 dB.

### 3 Interruptor AUTO STANDBY

Utilize este interruptor para activar ou desactivar a função de espera automática.

Quando a função de espera automática está activada, as colunas entram automaticamente no modo de espera se não for recebido um sinal de entrada durante um determinado período de tempo (cerca de 25 minutos) e é possível reduzir o consumo de energia. Quando for recebido um sinal de entrada com as colunas no modo de espera, as colunas saem automaticamente do modo de espera.

- A iluminação (indicador POWER) no painel frontal apaga-se quando as colunas entram no modo de espera.
- Se o sinal de entrada for inferior a um determinado nível, as colunas podem não sair automaticamente do modo de espera. Nesse caso, desligue o interruptor [AUTO STANDBY] para utilizar as colunas.
- Para forçar as colunas a saírem do modo de espera, desligue o interruptor [POWER] no painel posterior uma vez e volte a ligá-lo após alguns segundos.

### 4 Conector XLR INPUT

Conector de entrada equilibrada de tipo XLR. O conector tem o seguinte conjunto de pinos: N.º 1 Terra, N.º 2 Quente e N.º 3 Frio.

### 5 Tomada TRS INPUT

Tomada de auscultadores de entrada equilibrada.

### ⚠ ATENÇÃO

Não faça uma ligação ao conector XLR INPUT e à tomada TRS INPUT ao mesmo tempo.

### 6 Tomada RCA INPUT

Tomada de entrada não equilibrada de pino RCA.

### 7 Interruptor POWER

Utilize este interruptor para ligar e desligar a alimentação.

### ⚠ ATENÇÃO

Antes de ligar a alimentação, verifique se o interruptor [VOLTAGE SELECTOR] está definido para a tensão adequada ao país ou à região onde pretende utilizar as colunas. Se o interruptor [VOLTAGE SELECTOR] não estiver definido correctamente, contacte um centro de assistência técnica da Pioneer e solicite a alteração da tensão definida e a substituição do fusível. Aquando do envio, é colocado no produto um fusível com a definição de tensão adequada. Se for necessário alterar a definição de tensão, o fusível terá de ser substituído.

### 8 Interruptor VOLTAGE SELECTOR

Este interruptor é utilizado para seleccionar as definições de tensão adequadas ao país/região em que se utilizam as colunas. Não deve ser utilizado directamente pelo cliente.

### 9 AC IN

Ligue o cabo de alimentação fornecido a esta entrada e a uma tomada eléctrica de CA. Não ligue o cabo de alimentação até todas as outras ligações ficarem concluídas. Utilize apenas o cabo de alimentação fornecido.

### 10 Suporte de fusível

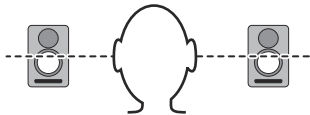


# Instalação e ligações

## Como instalar

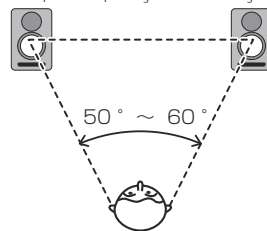
O som reproduzido por uma coluna é delicadamente influenciado pelas condições do compartimento em que se faz a audição. Para obter condições ideais de audição, tenha em consideração as condições do local de instalação antes de proceder à instalação propriamente dita.

- Coloque as colunas ao nível dos ouvidos.



- Para obter um efeito de estéreo natural, deve instalar a coluna esquerda e a coluna direita em posições simétricas e equidistantes em relação à posição de audição.

- Idealmente, as colunas devem ser colocadas em ângulos de  $30^\circ$  em relação à posição de audição (formando em conjunto um ângulo total de  $60^\circ$ ) e devem ser rodadas para dentro de modo a ficarem de frente para a posição de audição.



### ATENÇÃO

Para possibilitar um arrefecimento adequado, certifique-se de que existe espaço suficiente entre as colunas e as paredes próximas ou outros componentes (no mínimo, 30 cm ou mais em cima, atrás e dos lados direito e esquerdo de cada coluna). Deixar espaço insuficiente entre a coluna e as paredes ou outros componentes pode originar um aumento das temperaturas interiores, o que pode causar avarias ou danos.

## Ligações

- Quando pretender efectuar ou alterar ligações, desligue sempre a alimentação e desligue o cabo de alimentação da tomada eléctrica.
- Além disso, leia os manuais de instruções dos componentes aos quais pretende ligar as colunas.
- Não ligue o cabo de alimentação até todas as outras ligações ficarem concluídas.
- Utilize apenas o cabo de alimentação fornecido.
- Não faça uma ligação ao conector XLR INPUT e à tomada TRS INPUT ao mesmo tempo.
- Certifique-se de que define o nível de som para um nível adequado, uma vez que os sinais emitidos para o conector XLR INPUT (ou tomada TRS INPUT) e para a tomada RCA INPUT serão misturados, o que afecta o nível de som.

# Informação adicional

## Resolução de problemas

- Se achar que algo não está a funcionar bem na unidade, verifique os itens que se seguem. Verifique também os outros dispositivos ligados à unidade. Se o problema persistir, contacte o revendedor para obter assistência técnica.
- Ocasionalmente, a unidade pode não funcionar correctamente devido a electricidade estática ou outras condições externas. Se isso acontecer, desligue o cabo de alimentação, aguarde cinco minutos ou mais, ligue novamente o cabo de alimentação e verifique se a unidade está funcionar correctamente.

Sintoma	Itens a verificar	Solução
Sem alimentação	O cabo de alimentação está ligado correctamente?	Ligue o cabo de alimentação à tomada eléctrica.
Não sai som dos dispositivos de áudio ligados ou o som está muito baixo.	O dispositivo de áudio ligado foi definido correctamente?	Defina a entrada externa e o volume de som do dispositivo correctamente.
	O cabo de ligação está ligado correctamente?	Ligue os cabos correctamente.
	Os conectores ou as fichas estão sujos?	Limpe os conectores e as fichas antes de fazer as ligações.
	O volume de som está definido correctamente?	Rode o botão <b>[LEVEL]</b> no painel posterior no sentido dos ponteiros do relógio e aumente o volume.
	A alimentação está ligada?	Ligue o interruptor <b>[POWER]</b> no painel posterior.
	A função de espera automática está activada?	Desligue o interruptor <b>[POWER]</b> no painel posterior uma vez, aguarde alguns segundos e volte a ligar o interruptor.
A iluminação (indicador POWER) permanece desligada.	A alimentação está ligada?	Ligue o interruptor <b>[POWER]</b> no painel posterior.
	A função de espera automática está activada?	Desligue o interruptor <b>[POWER]</b> no painel posterior uma vez, aguarde alguns segundos e volte a ligar o interruptor.
As colunas não saem do modo de espera (não ligam).	O nível do sinal de entrada está baixo?	Aumente o nível do sinal de entrada. Desligue o interruptor <b>[AUTO STANDBY]</b> para desactivar a função de espera automática.
O som está distorcido.	O nível de som está definido correctamente?	Rode lentamente o botão <b>[LEVEL]</b> no painel posterior no sentido contrário ao dos ponteiros do relógio e baixe o volume.
	O nível de saída do dispositivo de áudio ligado está definido correctamente?	Ajuste o nível de saída do dispositivo de áudio ligado correctamente.
Feedback (som estridente contínuo)	O volume de som está definido correctamente?	Rode lentamente o botão <b>[LEVEL]</b> no painel posterior no sentido contrário ao dos ponteiros do relógio e baixe o volume.

## Marcas comerciais

- Pioneer é uma marca comercial registada da PIONEER CORPORATION.
- Outros nomes de empresas mencionados e o nome de um produto são marcas registadas das empresas ou marcas comerciais.

## Especificações

	S-DJ50X/S-DJ50X-W	S-DJ60X	S-DJ80X
Tipo	Coluna activa de 2 vias com bi-amplificação		
<b>Amplificador</b>			
Amplificador LF	30 W	50 W	70 W
Amplificador HF	15 W	20 W	20 W
Conectores de entrada (entrada equilibrada)	XLR × 1, TRS (Auscultadores 1/4 pol.) × 1		
Conectores de entrada (entrada não equilibrada)	RCA × 1		
Impedância	10 kΩ		
<b>Coluna</b>			
Caixa	Reflexo de graves		
Material da caixa	MDF		
Woofers (condutor LF)	Cone de 13 cm	Cone de 15 cm	Cone de 20 cm
Tweeter (condutor HF)	Cúpula macia de 2,5 cm		
Resposta de reprodução	50 Hz a 20 kHz	45 Hz a 20 kHz	40 Hz a 20 kHz
<b>Unidade de alimentação/outras</b>			
Tensões suportadas	Conversão em 100 V a 120 V (50 Hz a 60 Hz) / 220 V a 240 V (50 Hz a 60 Hz)		
Consumo de energia	100 W	140 W	160 W
Consumo de energia durante o modo de espera	0,5 W ou menos		
Dimensões externas L × A × P	197 mm × 301 mm × 262 mm	228 mm × 342 mm × 295 mm	276 mm × 401 mm × 315 mm
Peso	6,5 kg	8,5 kg	11,8 kg

As especificações e o design estão sujeitos a possíveis modificações sem aviso prévio, devido a melhoramentos.

© 2013 PIONEER CORPORATION. Todos os direitos reservados.

Благодарим вас за покупку изделия компании Pioneer.

Пожалуйста, ознакомьтесь с настоящей инструкцией по эксплуатации, чтобы узнать, как правильно обращаться с приобретенной вами моделью. После того, как вы закончите ознакомление с инструкцией, сохраните ее в надежном месте для обращения к ней в будущем.

## ВНИМАНИЕ

ВО ИЗБЕЖАНИЕ ПОРАЖЕНИЯ ЭЛЕКТРИЧЕСКИМ ТОКОМ НЕ СНИМАЙТЕ КРЫШКУ (ИЛИ ЗАДНЮЮ СТЕНКУ). ВНУТРИ НЕ СОДЕРЖАТСЯ ДЕАТЛИ, ПРЕДНАЗНАЧЕННЫЕ ДЛЯ РЕМОНТА ПОЛЬЗОВАТЕЛЕМ. ДЛЯ ОБСЛУЖИВАНИЯ ОБРАТИТЕСЬ К КВАЛИФИЦИРОВАННОМУ СОТРУДНИКУ СЕРВИСНОЙ СЛУЖБЫ.

D3-4-2-1-1\_B1\_Ru

## ПРЕДУПРЕЖДЕНИЕ

Данное оборудование не является водонепроницаемым. Во избежание пожара или поражения электрическим током не помещайте рядом с оборудованием емкости с жидкостями (например, вазы, цветочные горшки) и не допускайте попадания на него капель, брызг, дождя или влаги.

D3-4-2-1-3\_A1\_Ru

## ПРЕДУПРЕЖДЕНИЕ

Во избежание пожара не приближайте к оборудованию источники открытого огня (например, зажженные свечи).

D3-4-2-1-7a\_A1\_Ru

## ОБЯЗАТЕЛЬНАЯ ВЕНТИЛЯЦИЯ

При установке устройства обеспечьте достаточное пространство для вентиляции во избежание повышения температуры внутри устройства (не менее 30 см сверху, 30 см сзади и по 30 см слева и справа).

## ПРЕДУПРЕЖДЕНИЕ

В корпусе устройства имеются щели и отверстия для вентиляции, обеспечивающие надежную работу изделия и защищающие его от перегрева. Во избежание пожара эти отверстия ни в коем случае не следует закрывать или заслонять другими предметами (газетами, скатертями и шторами) или устанавливать оборудование на толстом ковре или постели.

D3-4-2-1-7b\*\_A1\_Ru

## Условия эксплуатации

Изделие эксплуатируется при следующих температуре и влажности:

+5 °C до +35 °C; влажность менее 85 % (не заслоняйте охлаждающие вентиляторы)

Не устанавливайте изделие в плохо проветриваемом помещении или в месте с высокой влажностью, открытым для прямого солнечного света (или сильному искусственному свету).

D3-4-2-1-7c\*\_A1\_Ru

## ПРЕДУПРЕЖДЕНИЕ

Данное изделие оснащено трехконтактной вилкой с заземляющим контактом. Эта вилка подходит только к электророзетке, оборудованной заземлением. Если вилку не удается вставить в розетку, обратитесь к электрику для установки розетки соответствующего типа. Защитную функцию вилки с заземляющим контактом следует использовать обязательно.

D3-4-2-1-6\_A1\_Ru

## ВНИМАНИЕ

Выключатель POWER данного устройства не полностью отключает его от электросети. Чтобы полностью отключить питание устройства, вытащите вилку кабеля питания из электророзетки. Поэтому устройству следует устанавливать так, чтобы вилку кабеля питания можно было легко вытащить из розетки в чрезвычайных обстоятельствах. Во избежание пожара следует извлекать вилку кабеля питания из розетки, если устройство не будет использоваться в течение длительного времени (например, если вы уезжаете в отпуск).

D3-4-2-2a\*\_A1\_Ru

Данное изделие предназначено для использования в общих хозяйственных целях. В случае возникновения любой неисправности, связанной с использованием в других, нежели хозяйственных целях (таких, как длительное использование в коммерческих целях в ресторане или в автомобиле, или на корабле) и требующей ремонта, такой ремонт осуществляется за плату, даже в течение гарантийного срока.

K041\_A1\_Ru

Не закрепляйте эти колонки на стене или потолке, так как в случае их падения они могут причинить травмы.

SGK007\*\_A1\_Ru

## МЕРЫ ПРЕДОСТОРОЖНОСТИ ПРИ ОБРАЩЕНИИ С СЕТЕВЫМ ШНУРОМ

Держите сетевой шнур за вилку. Не вытаскивайте вилку, взявшись за шнур, и никогда не касайтесь сетевого шнура, если Ваши руки влажные, так как это может привести к короткому замыканию или поражению электрическим током. Не ставьте аппарат, предметы мебели и т.д. на сетевой шнур, не зажимайте его. Не завязывайте узлов на шнуре и не связывайте его с другими шнурами. Сетевые шнуры должны лежать так, чтобы на них нельзя было наступить. Поврежденный сетевой шнур может стать причиной возникновения пожара или поразить Вас электрическим током. Время от времени проверяйте сетевой шнур. В случае обнаружения повреждения обратитесь за заменой в ближайший официальный сервисный центр фирмы PIONEER или к Вашему дилеру.

S002\*\_A1\_Ru



Если вы желаете утилизировать данное изделие, не выбрасывайте его вместе с обычным бытовым мусором. Существует отдельная система сбора использованных электронных изделий в соответствии с законодательством, которая предполагает соответствующее обращение, возврат и переработку.

Частные клиенты в странах-членах ЕС, в Швейцарии и Норвегии могут бесплатно вернуть использованные электронные изделия в соответствующие пункты сбора или дилеру (при покупке сходного нового изделия).

В странах, не перечисленных выше, для получения информации о правильных способах утилизации обращайтесь в соответствующие учреждения.

После такого обращения, вы можете быть уверены в том, что утилизируемый продукт будет соответствующим образом переработан, передан в соответствующий пункт и переработан без возможных негативных последствий для окружающей среды и здоровья людей.

K058b\_A1\_Ru

# Введение

## Основные функциональные возможности

Диффузор в волноводе улучшает диаграмму направленности и обеспечивает объемный звук.

Конус низкочастотного громкоговорителя из арамидного волокна обладает низким весом и высокой жесткостью, что обеспечивает качественное низкочастотное звучание.

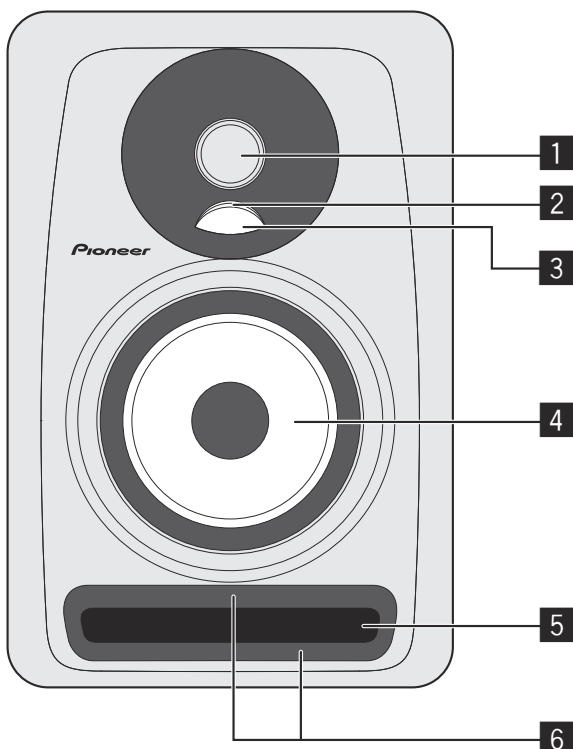
Рифленая поверхность порта фазоинвертора выравнивает движение воздуха и обеспечивает воспроизведение низких частот без потерь.

## Проверка комплектности прилагаемых принадлежностей

- Силовой кабель (1)
- Инструкция по эксплуатации (данный документ)
- Гарантийный талон

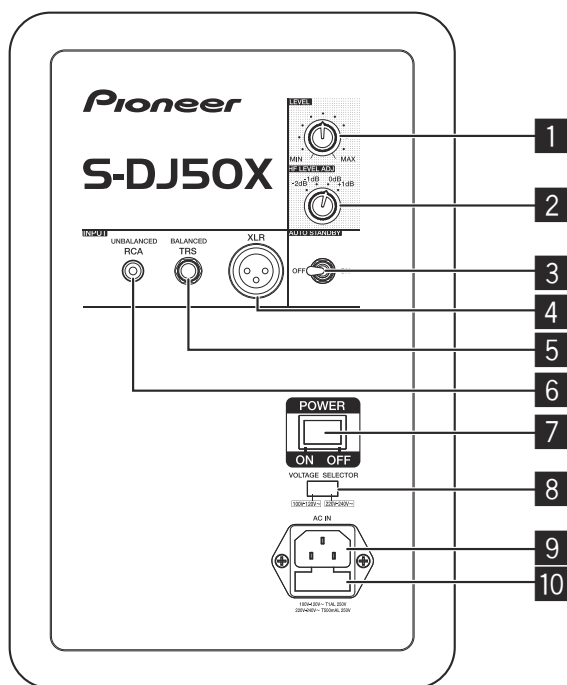
# Название и функции частей

## Элементы на фронтальной панели



- 1-дюймовый мягкий купольный высокочастотный громкоговоритель высокого разрешения**
- Подсветка (индикатор POWER)**  
Загорается при включении питания. Индикатор не горит, если колонка находится в режиме ожидания.
- Диффузор**  
Улучшает направленность и распространение звука высокой частоты.
- Низкочастотный громкоговоритель из арамидного волокна**  
Легкие и очень жесткие конусы обеспечивают качественное низкочастотное звучание.
- Порт фазоинвертора**
- Канал**  
Регулирует поток воздуха в порту фазоинвертора и обеспечивает мощное басовое звучание при низких звуковых потерях.

## Элементы на задней панели



\* На иллюстрации показана модель S-DJ50X.

### 1 Поворотный регулятор LEVEL

Используется для регулировки уровня звука (громкости).

### 2 Поворотный регулятор HF LEVEL ADJ

Используется для настройки высоких частот. Можно выбрать  $-2$  дБ,  $-1$  дБ,  $0$  дБ или  $1$  дБ.

### 3 Переключатель AUTO STANDBY

Используется для включения и выключения функции автоматического перехода в режим ожидания. Когда функция автоматического перехода в режим ожидания включена, колонка автоматически переходит в режим ожидания, если входной сигнал отсутствует в течение определенного периода времени (приблизительно 25 минут), за счет чего снижается потребление электроэнергии. Если поступает входной сигнал, колонка автоматически выходит из режима ожидания.

- Когда колонка переходит в режиме ожидания, подсветка (индикатор POWER) на фронтальной панели гаснет.
- Если уровень входного сигнала находится ниже определенного уровня, колонка может не выходить из режима ожидания автоматически. В таких случаях переведите переключатель [AUTO STANDBY] в выключенное положение, чтобы использовать колонку.
- Чтобы принудительно вывести колонку из режима ожидания, выключите переключатель [POWER] на задней панели, а спустя несколько секунд снова включите.

### 4 Разъем XLR INPUT

Симметричный входной разъем XLR. Контакты разъема: № 1 Заземление, № 2 Плюс, № 3 Минус.

### 5 Гнездо TRS INPUT

Симметричный входной разъем для подключения наушников.

### ! ВНИМАНИЕ

Не используйте одновременно разъем XLR INPUT и гнездо TRS INPUT.

### 6 Гнездо RCA INPUT

Несимметричные штырьковые входные разъемы RCA.

### 7 Переключатель POWER

Используется для включения и отключения питания.

### ! ВНИМАНИЕ

Перед включением питания убедитесь, что переключатель [VOLTAGE SELECTOR] установлен в положение, соответствующее напряжению, применяемому в стране или регионе использования колонки. Если переключатель [VOLTAGE SELECTOR] установлен неправильно, обратитесь в сервисный центр компании Pioneer с просьбой изменить установленное напряжение и заменить плавкий предохранитель. При отправке с завода-изготовителя в изделии установлен предохранитель с соответствующим установленным напряжением. В случае необходимости изменения установленного напряжения плавкий предохранитель следует заменить.

### 8 Переключатель VOLTAGE SELECTOR

Этот переключатель используется для выбора установленного напряжения для страны/региона использования. Он не предназначен для непосредственного использования клиентом.

### 9 Разъем AC IN

Подсоедините силовой кабель к этому разъему и к розетке сети переменного тока. Не подсоединяйте силовой кабель до тех пор, пока не будут выполнены все остальные соединения. Используйте только силовой кабель, входящий в комплект поставки.

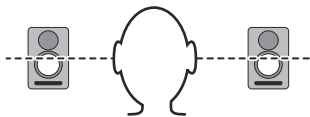
### 10 Держатель плавкого предохранителя

# Установка и подключение

## Правила установки

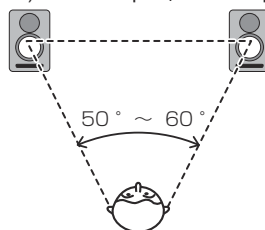
Условия в помещении прослушивания оказывают тонкое влияние на звучание воспроизводимых колонками звуков. Для достижения оптимальных условий прослушивания, перед тем как приступить к установке, обратите надлежащее внимание на условия в месте установки.

- Устанавливайте колонки на уровне ушей.



- Для получения естественного стереофонического эффекта левая и правая колонки должны быть установлены симметрично на одинаковом расстоянии от слушателя.

- В идеальном случае колонки должны располагаться под углом  $30^\circ$  по отношению к слушателю (образуя между собой угол  $60^\circ$ ) и быть обращены в сторону слушателя.



### **ВНИМАНИЕ**

В целях обеспечения надлежащего охлаждения, пожалуйста, оставляйте достаточное пространство между колонками и ближайшими стенами или другими компонентами (минимум 30 см или больше сверху, сзади, справа и слева каждой колонки). Недостаточное свободное пространство между колонкой и стенами или другими компонентами может привести к повышению температуры внутри корпуса и вызывать неполадки или повреждения.

## Соединения

- При выполнении или изменении соединений всегда выключайте питание и отсоединяйте силовой кабель от сетевой розетки.
- Также обязательно читайте инструкции по эксплуатации других компонентов, к которым подключаются эти колонки.
- Не подсоединяйте силовой кабель до тех пор, пока не будут выполнены все остальные соединения.
- Используйте только силовой кабель, входящий в комплект поставки.
- Не используйте одновременно разъем XLR INPUT и гнездо TRS INPUT.
- Обязательно устанавливайте необходимый уровень звука, поскольку входные сигналы, которые подаются к разъему XLR INPUT (или гнезду TRS INPUT) и гнезду RCA INPUT, смешиваются, что влияет на уровень звука.

# Дополнительная информация

## Поиск и устранение неполадок

- Если вы полагаете, что столкнулись с неполадкой в работе данного устройства, выполните проверку по следующим пунктам. Также проверьте другое оборудование, подключенное к данному устройству. Если проблему не удастся устранить, обратитесь за консультацией и обслуживанием к вашему дилеру.
- Иногда устройство может не работать надлежащим образом из-за статического электричества или других внешних условий. В подобных случаях отсоедините силовой кабель и подождите пять или более минут, а затем снова подсоедините силовой кабель и проверьте корректность работы устройства.

Неполадка	Пункты проверки	Устранение
Отсутствует питание	Правильно ли подсоединен силовой кабель?	Подсоедините силовой кабель к сетевой розетке.
Не воспроизводится звук с подключенных аудиоустройств, или звук слишком тихий.	Правильно ли настроено подключенное аудиоустройство?	Правильно выберите источник сигнала и установите уровень громкости.
	Правильно ли подсоединен соединительный кабель?	Правильно подсоедините кабели.
	Не загрязнены ли разъемы или штекеры?	Очистите разъемы и штекеры перед подсоединением.
	Правильно ли установлен уровень громкости?	Поверните поворотный регулятор [LEVEL] на задней панели по часовой стрелке и увеличьте громкость.
Подсветка (индикатор POWER) остается выключенным.	Включено ли питание?	Включите переключатель [POWER] на задней панели.
	Включена ли функция автоматического перехода в режим ожидания?	Выключите переключатель [POWER] на задней панели, подождите несколько секунд, а затем снова включите.
Колонка не выходит из режима ожидания (не включается).	Уровень входного сигнала слишком низок?	Увеличьте уровень входного сигнала.
		Переведите переключатель [AUTO STANDBY] в выключенное положение, чтобы выключить функцию автоматического перехода в режим ожидания.
Звук искажен.	Правильно ли установлен уровень звука?	Медленно поверните поворотный регулятор [LEVEL] на задней панели против часовой стрелки и уменьшите громкость.
	Правильно ли установлен уровень выходного сигнала подключенного аудиоустройства?	Отрегулируйте уровень выходного сигнала подключенного аудиоустройства.
Обратная связь (непрерывное «завывание»)	Правильно ли установлен уровень громкости?	Медленно поверните поворотный регулятор [LEVEL] на задней панели против часовой стрелки и уменьшите громкость.



## Товарные знаки

- Pioneer является зарегистрированной торговой маркой PIONEER CORPORATION.
- Другие используемые названия компаний и изделий являются зарегистрированными товарными знаками компаний или товарными знаками.

## Технические характеристики

	S-DJ50X/S-DJ50X-W	S-DJ60X	S-DJ80X
Тип	2-полосной активный громкоговоритель с системой двухканального усиления		
<b>Усилитель</b>			
Усилитель низкой частоты	30 Вт	50 Вт	70 Вт
Усилитель высокой частоты	15 Вт	20 Вт	20 Вт
Входные разъемы (симметричный вход)	XLR × 1, TRS (1/4 дюйма для наушников) × 1		
Входные разъемы (несимметричный вход)	RCA × 1		
Импеданс	10 кОм		
<b>Колонка</b>			
Корпус	фазоинверторный		
Материал корпуса	древесно-волоконная плита средней плотности		
Низкочастотный громкоговоритель (низкочастотная головка)	13-см конус	15-см конус	20-см конус
Высокочастотный громкоговоритель (высокочастотная головка)	2,5-см тканевый купол		
Частотная характеристика воспроизведения	от 50 Гц до 20 кГц	от 45 Гц до 20 кГц	от 40 Гц до 20 кГц
<b>Блок питания/прочее</b>			
Поддерживаемые уровни напряжения	преобразование от 100 В до 120 В (от 50 Гц до 60 Гц) / от 220 В до 240 В (от 50 Гц до 60 Гц)		
Потребляемая мощность	100 Вт	140 Вт	160 Вт
Потребляемая мощность в режиме ожидания	не более 0,5 Вткг		
Габаритные размеры Ш × В × Г	197 мм × 301 мм × 262 мм	228 мм × 342 мм × 295 мм	276 мм × 401 мм × 315 мм
Масса	6,5 кг	8,5 кг	11,8 кг

В связи с постоянным совершенствованием изделия его технические характеристики и конструкция могут изменяться без предварительного уведомления.

© PIONEER CORPORATION, 2013. Все права защищены.





**Примечание:**

В соответствии со статьей 5 Закона Российской Федерации "О защите прав потребителя" и Указанием Правительства Российской Федерации № 720 от 16 июня 1997 года корпорация Pioneer Europe NV устанавливает условие на следующую продолжительность срока службы официальных поставляемых на Российский рынок товаров.

Аудио и видеоборудование: 7 лет

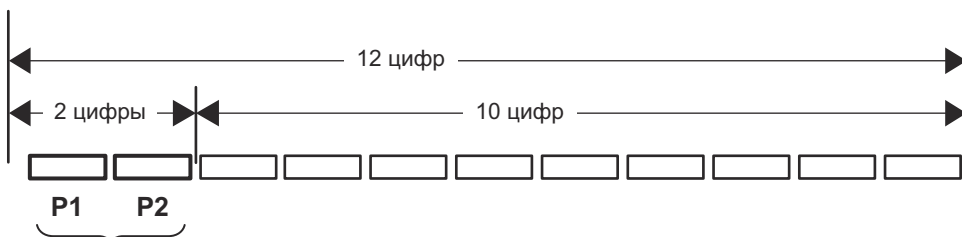
Переносное аудиооборудование: 6 лет

Другое оборудование (наушники, микрофон и т.д.): 5 лет

Автомобильная электроника: 6 лет

D3-7-10-6\_A1\_Ru

Дату изготовления оборудования можно определить по серийному номеру, который содержит информацию о месяце и годе производства.

**Серийный номер**

Дата изготовления оборудования

**P1 - Год изготовления**

Год	2001	2002	2003	2004	2005	2006	2007	2008	2009	2010
Символ	A	B	C	D	E	F	G	H	I	J

Год	2011	2012	2013	2014	2015	2016	2017	2018	2019	2020
Символ	K	L	M	N	O	P	Q	R	S	T

**P2 - Месяц изготовления**

Месяц	1	2	3	4	5	6	7	8	9	10	11	12
Символ	A	B	C	D	E	F	G	H	I	J	K	L

D3-7-10-7\_A1\_Ru

© 2013 PIONEER CORPORATION.  
All rights reserved.

© 2013 PIONEER CORPORATION.  
Tous droits de reproduction et de traduction réservés.

**PIONEER CORPORATION**

1-1, Shin-ogura, Saiwai-ku, Kawasaki-shi, Kanagawa 212-0031, Japan

**Корпорация Пайонир**

1-1, Син-Огура, Сайвай-ку, г. Кавасаки, префектура Канагава, 212-0031, Япония

**Импортер: ООО "ПИОНЕР РУС"**

125040, Россия, г. Москва, ул. Правды, д.26 Тел.: +7(495) 956-89-01

**PIONEER EUROPE NV**

Haven 1087, Keetberglaan 1, B-9120 Melsele, Belgium TEL: 03/570.05.11

k002\_psv\_sy

Сделано в Китае  
Printed in China / Imprimé en Chine

<DRB1689-A>