

THIS DRAWING IS THE EXCLUSIVE PROPERTY OF MARQUARDT. WITHOUT THEIR CONSENT IT MAY NOT BE REPRODUCED OR GIVEN TO THIRD PARTIES.

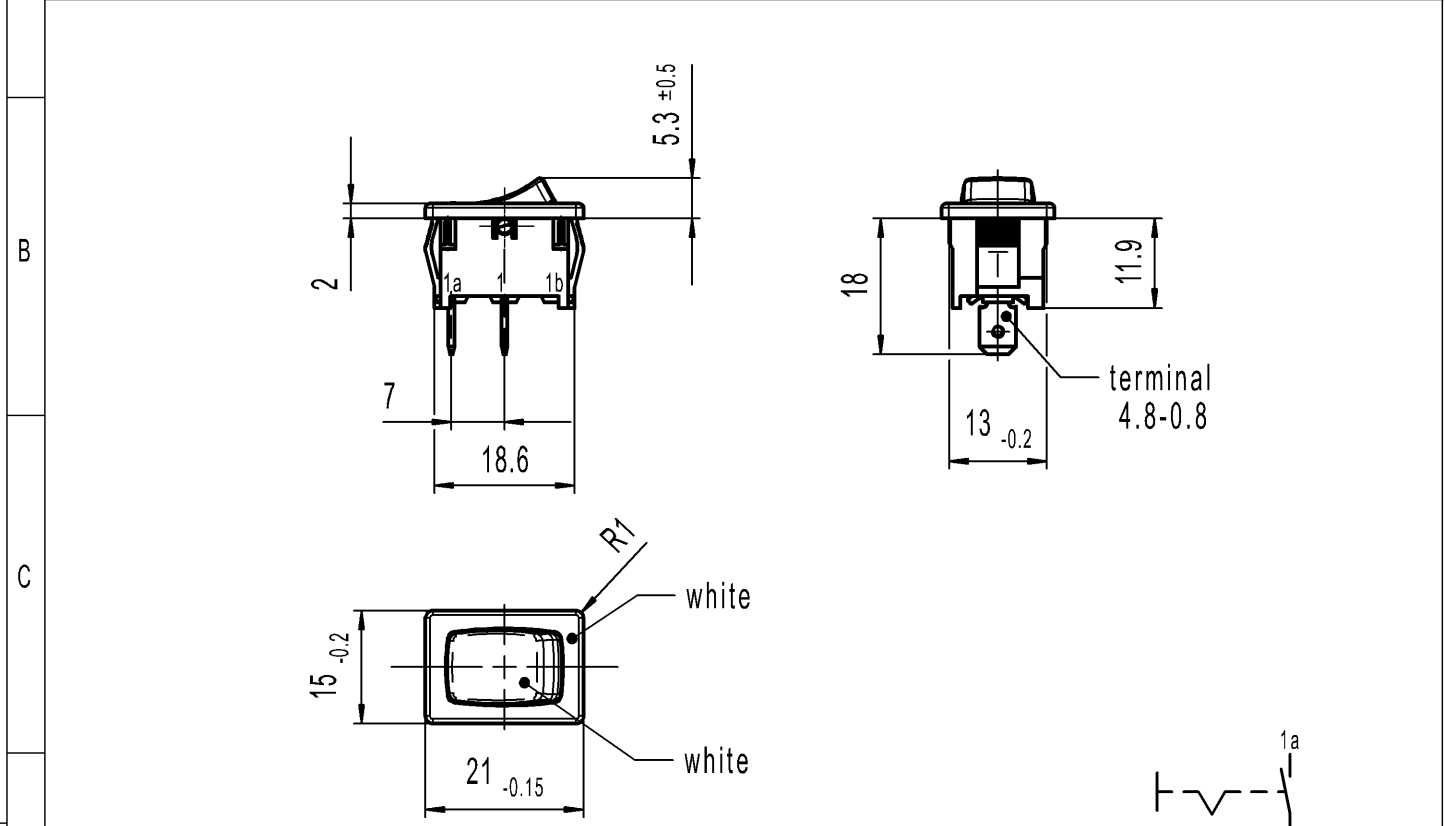
CONFIDENTIAL

VERTRAULICH

Alle Rechte bei Marquardt, auch fuer den Fall von Schutzrechtsanmeldungen. Jede Veruegungsbefugnis, wie Kopier- und Weitergaberecht, bei uns.

©

A	recommended cut-out for snap-in fixing (edge opposite to snap-in direction)	1	2	3	4
			wall thickness	length of cut-out	width of cut-out
		0.75 to 1.25	19.2 -0.1	12.9+0.1	
		1.25 to 2	19.4 -0.1	12.9+0.1	
		2 to 3	19.8 -0.1	12.9+0.1	



**Marking**  
 (M)  
 18..  
 6(4)/250~5E4  
 10(4)/250~  
 5/50A 250~  
 T100/55

**SPST**  
 Suitable for appliances of class II

6A 125-250V AC  
 1/4 HP 125V AC  
 1/2 HP 250V AC  
 R 30

Code of manufacture: place/year/week

-	-	-	1801.1101-XX																				
Figure	Type	Customer Part No.	Art.No.-PI																				
Shape and location	Angle ± 2°	Sheet 01	Ident. K																				
	Edge tolerance	Format DIN A4	Document number 18011101																				
	<table border="1"> <tr> <th>Length</th> <th>Radial</th> </tr> <tr> <td>0-6</td> <td>± 0.2</td> </tr> <tr> <td>&gt;6-15</td> <td>± 0.4</td> </tr> <tr> <td>&gt;15-30</td> <td>± 0.4</td> </tr> <tr> <td></td> <td>±</td> </tr> <tr> <td></td> <td>±</td> </tr> <tr> <td></td> <td>±</td> </tr> <tr> <td></td> <td>±</td> </tr> <tr> <td></td> <td>±</td> </tr> <tr> <td></td> <td>±</td> </tr> </table>	Length	Radial	0-6	± 0.2	>6-15	± 0.4	>15-30	± 0.4		±		±		±		±		±		±	Projection	Index h
	Length	Radial																					
0-6	± 0.2																						
>6-15	± 0.4																						
>15-30	± 0.4																						
	±																						
	±																						
	±																						
	±																						
	±																						
	±																						
		Scale 1:1	Appliance Switch																				
		All dimensions are in millimetres																					
h	137838	2021-08-13	JOSHIO																				
g	43724	2005-07-19	vor																				
f	25088	1997-06-24	SIG																				
Index	MEC-No.	Date (YYYY-MM-DD)	Edited by																				
		System NX V1872																					
		Replacement of																					
		Zg.gl.Nr.v.23.06.1997																					
				MARQUARDT																			