

# POTTING BOXES

## 400 Series with Lugged Lids and Cable Entry

UNIVERSAL ENCLOSURES

HAND HELD CASES

HEAVY DUTY ENCLOSURES

DIN RAIL BOXES

INTERFACE SUPPORTS

CONTROL STATIONS

DIECAST & METAL BOXES

DESKTOP & INSTRUMENT CASES

POTTING BOXES

19" ENCLOSURES

19" CABINETS

DEVELOPMENT BOARDS

CUSTOM SIZED ENCLOSURES

CUSTOM SERVICES

ABS boxes with mounting lugs and moulded cable entries. Supplied with flush-fitting lid.

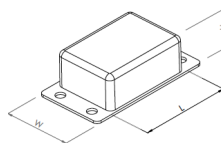
- Moulded in ABS
- Press-fit flush lid (screw mounted lid 400-019)
- Lugs provide added security once mounted by restricting access
- 2x moulded cable entries
- Label recess in base (400-019 only)
- Highly resistant to most chemicals
- High rigidity and impact strength
- Compliant with water absorption to DIN53495
- Maximum protection against shock, chemicals, moisture & temperature



### SPECIFICATION

Materials	ABS
Operating temperature	Resistant to continuous operating temperatures up to 70°C
Standard colours	Black
Standard unit includes	400-019 Lid & base 400-011 to 400-017 Lid & base 2x fixing screws

BLACK	LENGTH	WIDTH	HEIGHT
400-011	65mm	38mm	22mm
400-013	65mm	38mm	27mm
400-015	72mm	44mm	22mm
400-017	72mm	44mm	27mm
400-019	82mm	57mm	33mm



## 500 Series Flanged Potting Boxes

A comprehensive range of flame retardant ABS boxes with flush-fitting lid and flanged body for partial or complete potting of electronic components

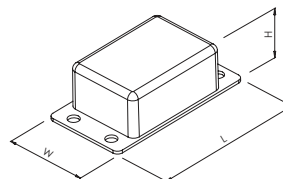
- Moulded in ABS
- Flush-fitting lid mounted by 4x fixing screws
- Lugs provide added security once mounted by restricting access
- Flanged body with 4x mounting holes
- Ideal for partial or complete potting
- Compliant with water absorption specifications to DIN53495
- High rigidity and impact strength
- Highly resistant to most chemicals



### SPECIFICATION

Materials	Lid & base ABS, UL94-V0 to order
Operating temperature	-20°C to +94°C
Standard colours	Black
Standard unit includes	Lid & base 4x screws Packs of 5

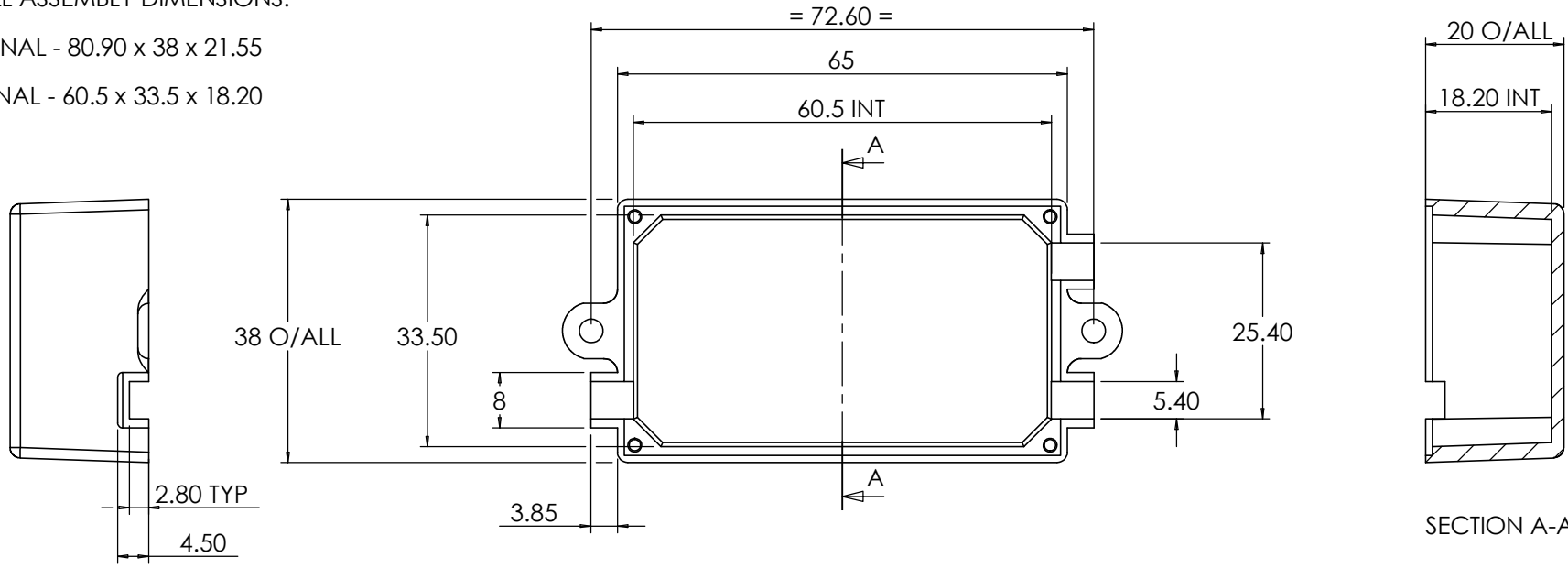
BLACK	LENGTH	WIDTH	HEIGHT
RX505A	36mm	26mm	17mm
RX506A	42mm	30mm	19mm
RX507A	48mm	34mm	21mm
RX508A	56mm	40mm	24mm
RX509A	66mm	46mm	26mm
RX510A	76mm	52mm	29mm



OVERALL ASSEMBLY DIMENSIONS:

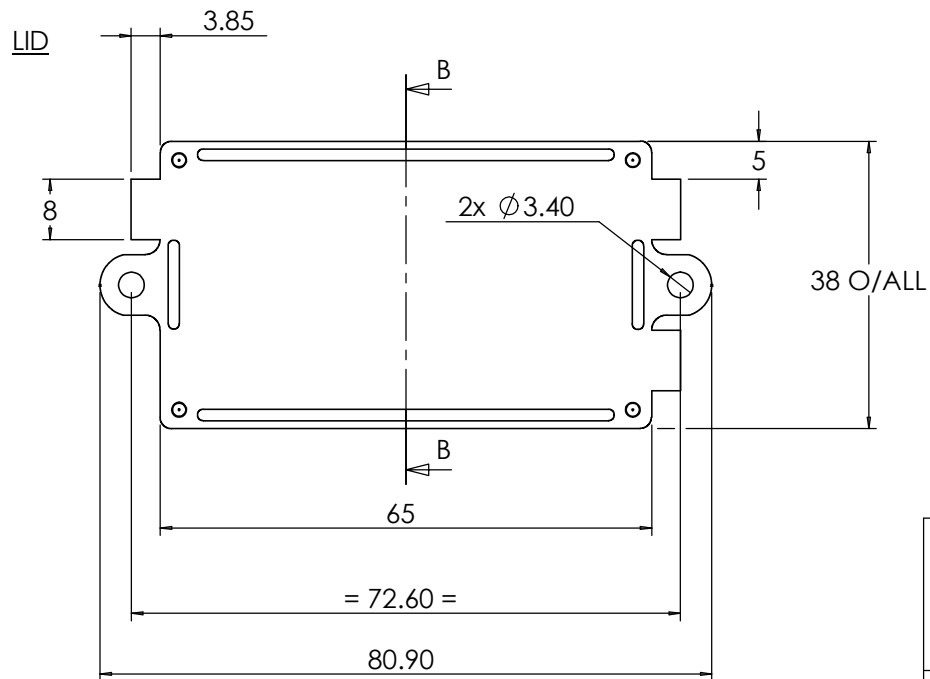
EXTERNAL - 80.90 x 38 x 21.55

INTERNAL - 60.5 x 33.5 x 18.20



BASE

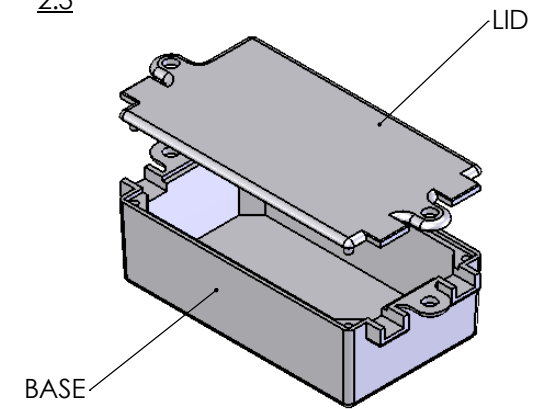
SECTION A-A



LID

SECTION B-B

ISO VIEW  
2:3



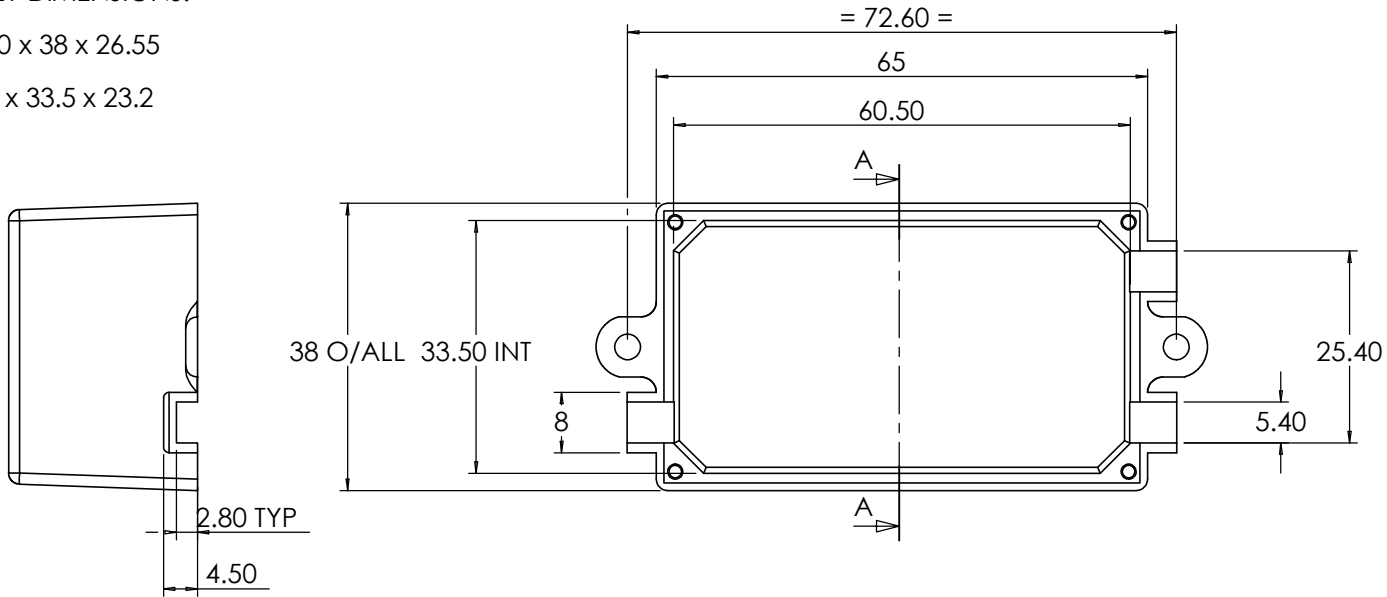
		UNLESS OTHERWISE SPECIFIED: DIMENSIONS ARE IN MILLIMETERS		DO NOT SCALE DRAWING	REVISION. 0
		FINISH. FINE SPARK		TITLE: ASSEMBLY DRG FOR 400-011	
	NAME	SIGNED	DATE	MATERIAL.	DWG NO.
DRAWN	SUBKHANKULOVA	LS	05/06/09	ABS	400-011
CHK'D	STUART HARDINGE	SJH	05/06/09	PROJECTION.	SCALE: 1:1
					SHEET 1 OF 1

A4

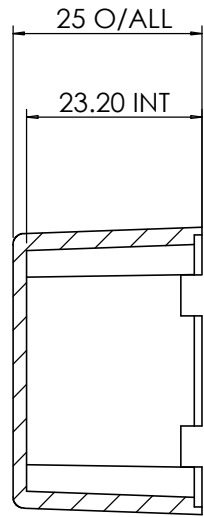
OVERALL ASSEMBLY DIMENSIONS:

EXTERNAL - 80.90 x 38 x 26.55

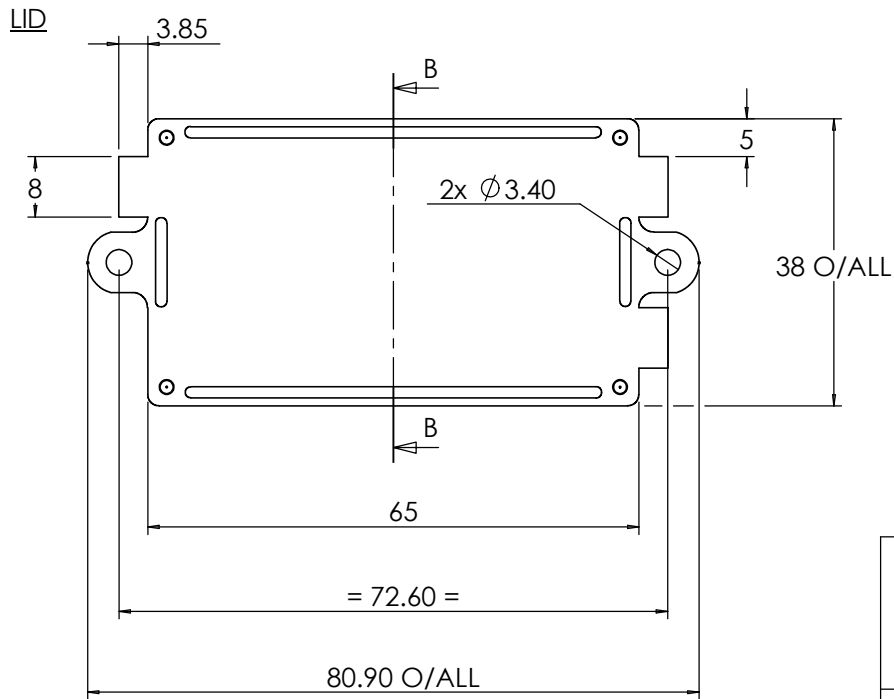
INTERNAL - 60.5 x 33.5 x 23.2



BASE



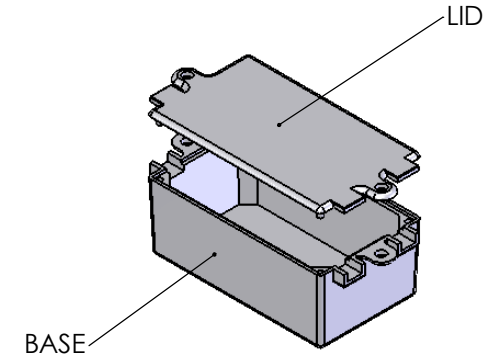
SECTION A-A



LID

SECTION B-B

ISO VIEW  
1:2



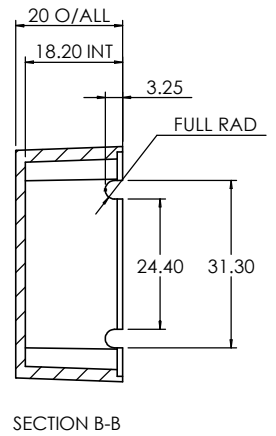
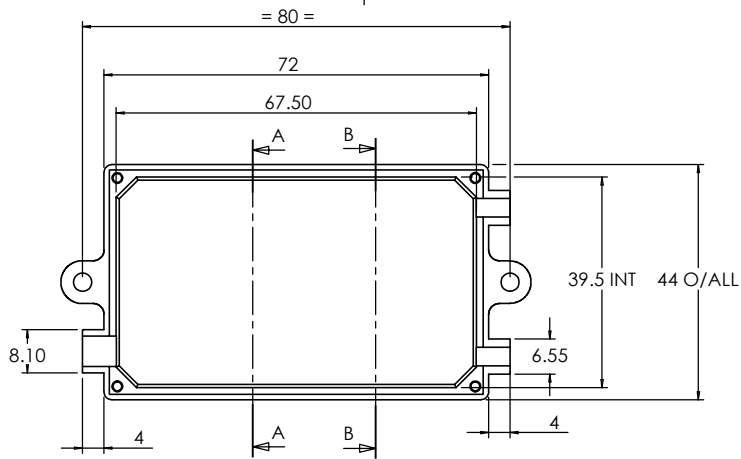
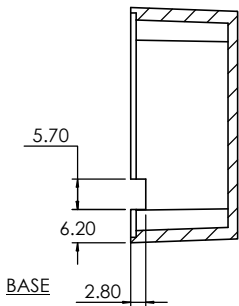
				UNLESS OTHERWISE SPECIFIED: DIMENSIONS ARE IN MILLIMETERS		DO NOT SCALE DRAWING	REVISION. 0
				FINISH. FINE SPARK		TITLE: ASSEMBLY DRG FOR 400-013	
	NAME	SIGNED	DATE	MATERIAL.	DWG NO.	400-013	
DRAWN	SUBKHANKULOVA	LS	05/06/09	ABS			A4
CHK'D	STUART HARDINGE	SJH	05/06/09	PROJECTION.	SCALE: 1 : 1	SHEET 1 OF 1	

OVERALL ASSEMBLY DIMENSIONS:

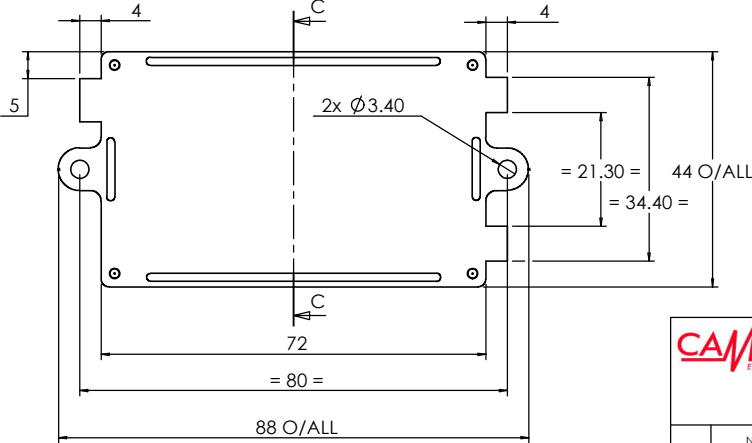
EXTERNAL - 88 x 44 x 21.75

INTERNAL - 67.5 x 39.5 x 18.2

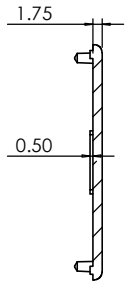
SECTION A-A



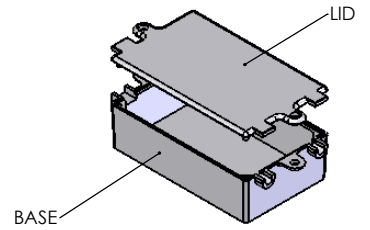
LID



SECTION C-C



ISO VIEW  
1:2



UNLESS OTHERWISE SPECIFIED:  
DIMENSIONS ARE IN MILLIMETERS

DO NOT SCALE DRAWING

REVISION: 0

FINISH:  
FINE SPARK

TITLE:

ASSEMBLY DRG FOR 400-015

	NAME	SIGNED	DATE	MATERIAL
DRAWN	SUBKHANKULOVA	LS	05/06/09	ABS
CHK'D	STUART HARDINGE	SJH	05/06/09	PROJECTION

PROJECTION:

DWG NO.

400-015

A4

SCALE: 1 : 1

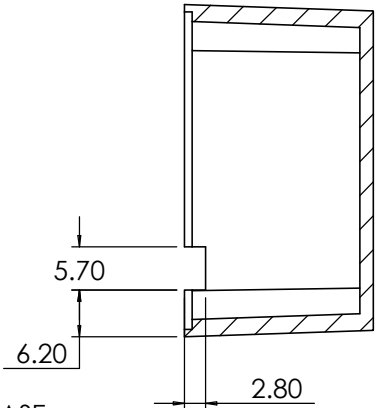
SHEET 1 OF 1

OVERALL ASSEMBLY DIMENSIONS:

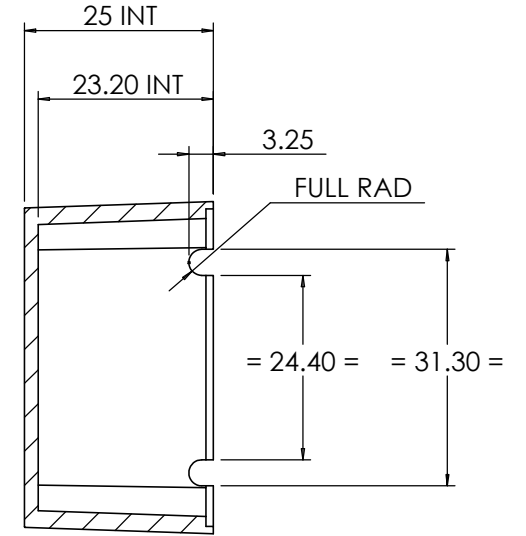
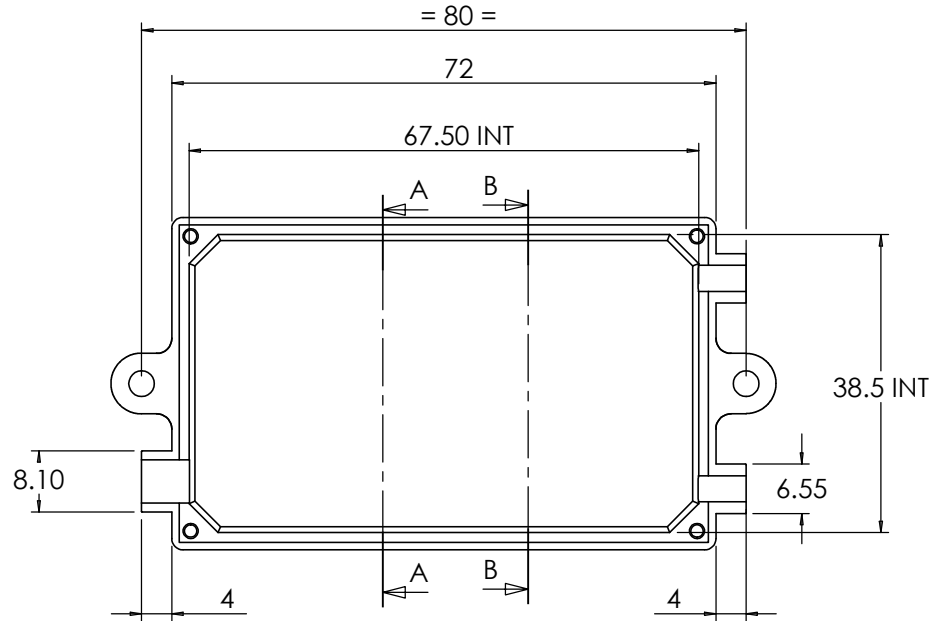
EXTERNAL - 88 x 44 x 26.75

INTERNAL - 67.5 x 39.5 x 23.20

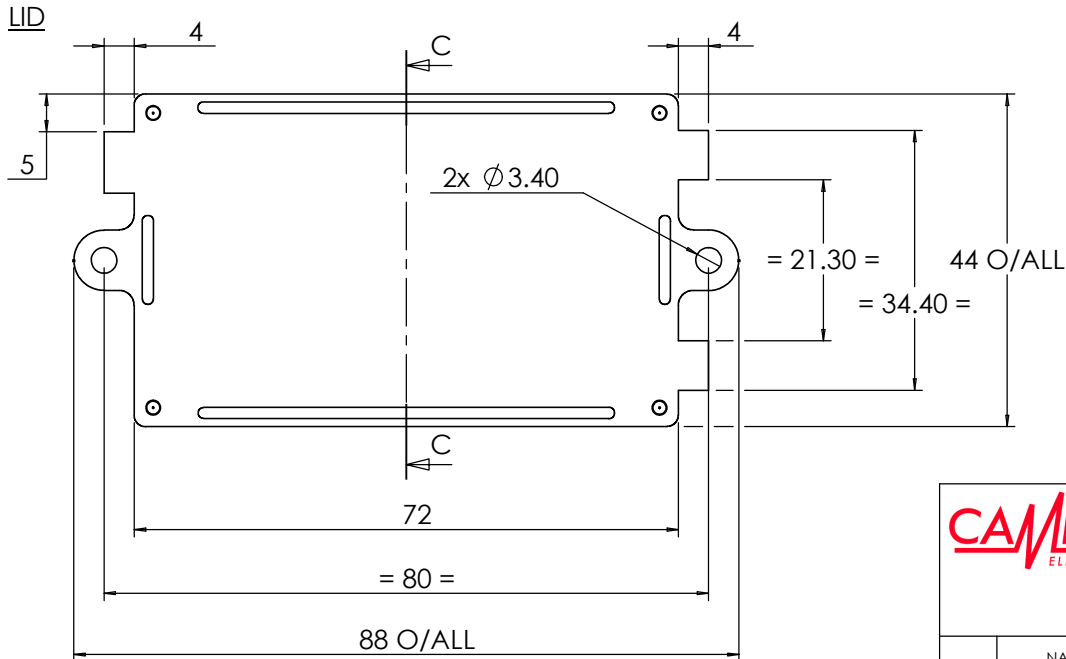
SECTION A-A



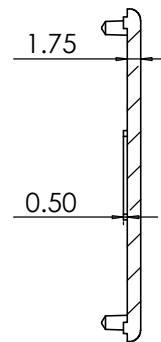
BASE



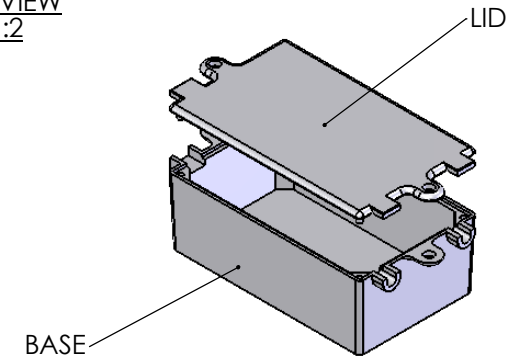
SECTION B-B



SECTION C-C



ISO VIEW  
1:2



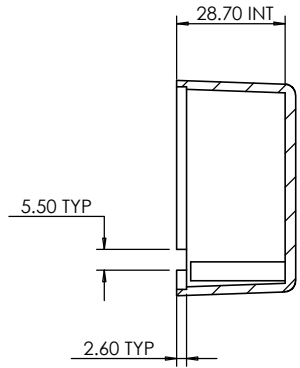
		UNLESS OTHERWISE SPECIFIED: DIMENSIONS ARE IN MILLIMETERS		DO NOT SCALE DRAWING	REVISION. 0
		FINISH. FINE SPARK		TITLE: ASSEMBLY DRG FOR 400-017	
DRAWN SUBKHANKULOVA LS		SIGNED LS	DATE 05/06/09	MATERIAL. ABS	DWG NO. 400-017
CHK'D STUART HARDINGE	SJH	05/06/09	PROJECTION.	SCALE. 1:1	SHEET 1 OF 1

A4

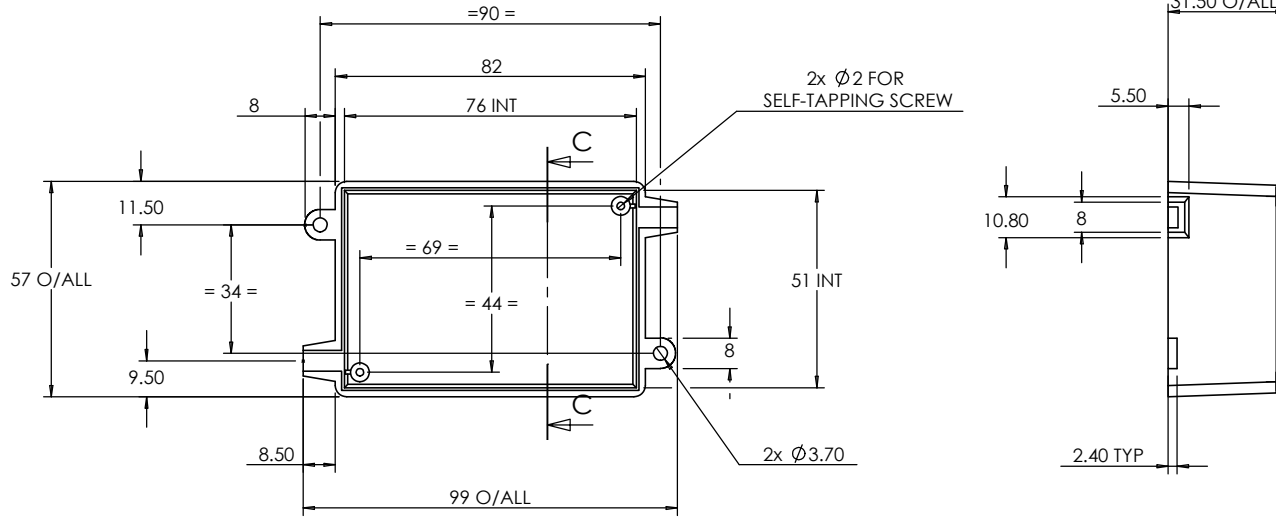
OVERALL ASSEMBLY DIMENSIONS:

EXTERNAL - 99 x 57 x 33.9

INTERNAL - 76 x 51 x 28.70

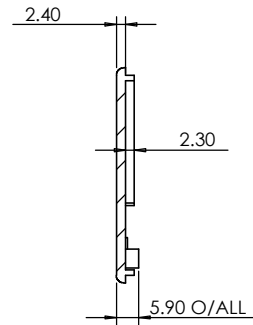
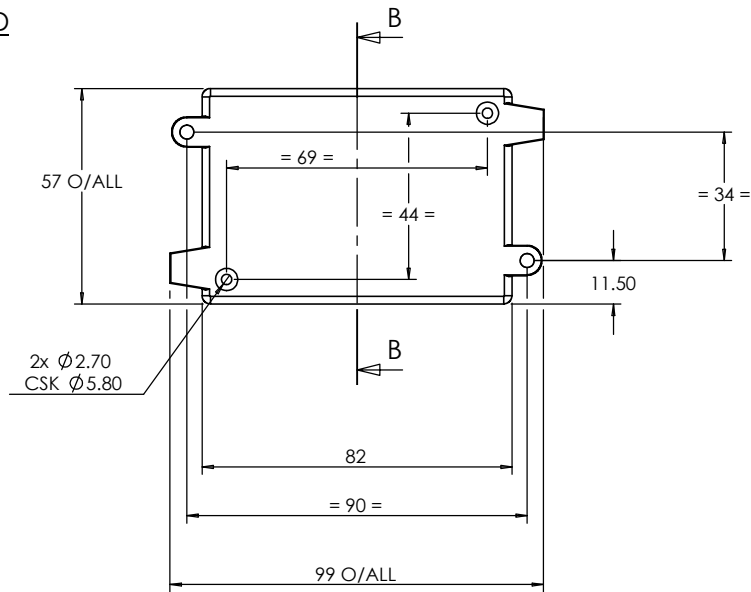


SECTION C-C



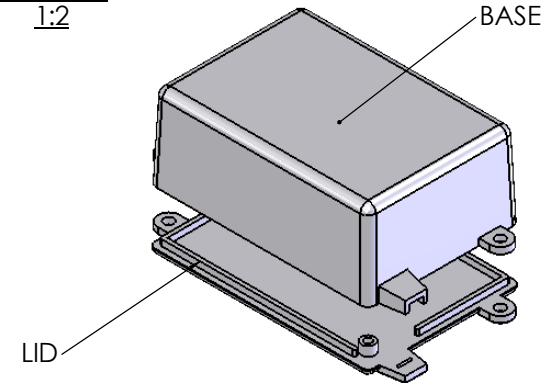
BASE

LID



SECTION B-B

ISO VIEW  
1:2



		UNLESS OTHERWISE SPECIFIED: DIMENSIONS ARE IN MILLIMETERS		DO NOT SCALE DRAWING	REVISION. 0
		FINISH. FINE SPARK		TITLE: ASSEMBLY DRG FOR 400-019	
DRAWN	NAME SUBKHANKULOVA	SIGNED LS	DATE 05/06/09	MATERIAL. ABS	DWG NO. 400-019
CHK'D	STUART HARDINGE	SJH	05/06/09	PROJECTION.	SCALE: 1:2
				SHEET 1 OF 1	

A4