

170pcs Standard 5 mm White color LED assortment with LED mount Item No.: 18010014

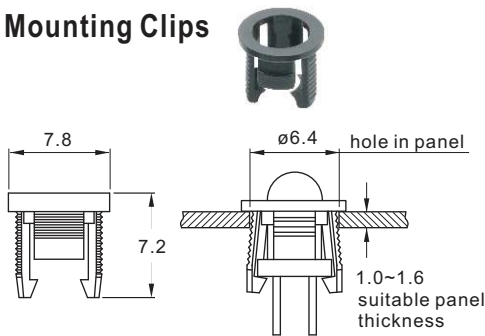
This range of experiments and practitioners from warm white to cold white standard LEDs with a diameter of 5 mm.

Through resistor combinations of parallel or series connection or varying the supply voltage, different operating currents (brightnesses) can be realized. Addition LED mounting clips for easy mount and installation onto casing or panel.

A brief description of the components contained is clearly printed on the inside of the lid.

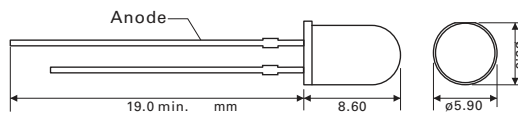


LED Mounting Clips



Material: PA66, 94V-2
Color: Black
Operating Temperature: -10~75°C

Ø 5 mm LED Diode



Light Source	Warm White	Natural White	Cold White
Lens color	Water clear	Water clear	Water clear
Chip material	InGaAlP	InGaAlP	InGaAlP
Wavelength / color temperature	2500-2700K	4000-4500K	6000-6500K
Max. Luminous intensity	20000 mcd	14000 mcd	14000 mcd
Viewing angle (typ.)	25°	25°	20°
Forward current (max.)	20 mA	20 mA	20 mA
Forward voltage (typ.)	3.0 V	3.0 V	3.0 V
Operating temperature		-25°C - 80°C	
Storage temperature		-30°C - 100°C	