

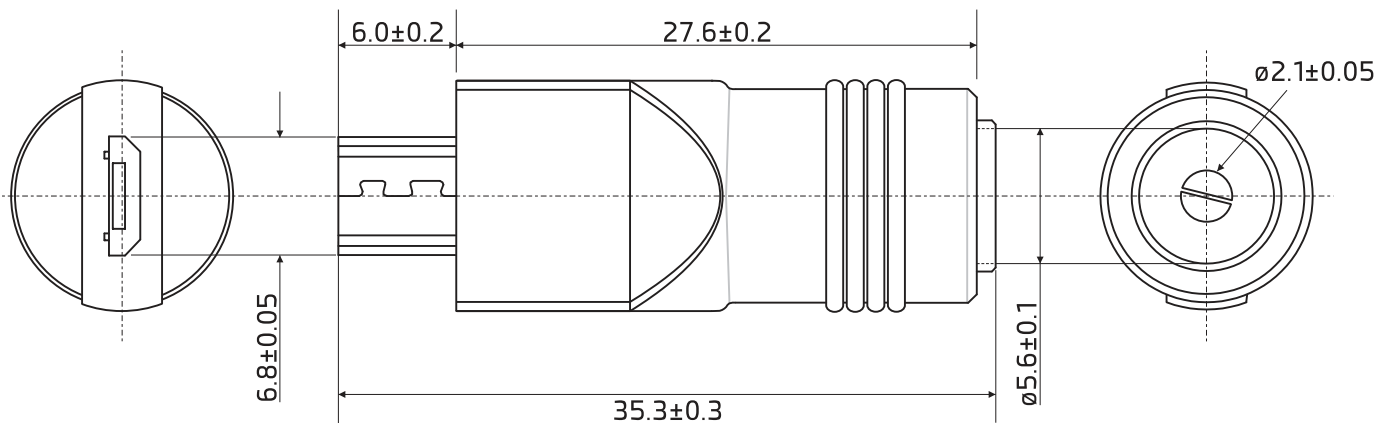
**DC Barrel Adaptor,
5.5/2.1 mm to USB Micro B male**



Specification

Material

Inner insulator: PE, Transparent
Outer insulator: PVC, Black
Contact: Brass, Nickel plated
Current rating: 2A
Voltage rating: 5 Vdc
Connector resistance: 30 mΩ max.
Insulation resistance: 100 MΩ min.
Operation temperature: -20°C ~ 70°C



Dimension: mm