

4

3

2

1

THIS DRAWING IS UNPUBLISHED. RELEASED FOR PUBLICATION
 © COPYRIGHT - By - ALL RIGHTS RESERVED.

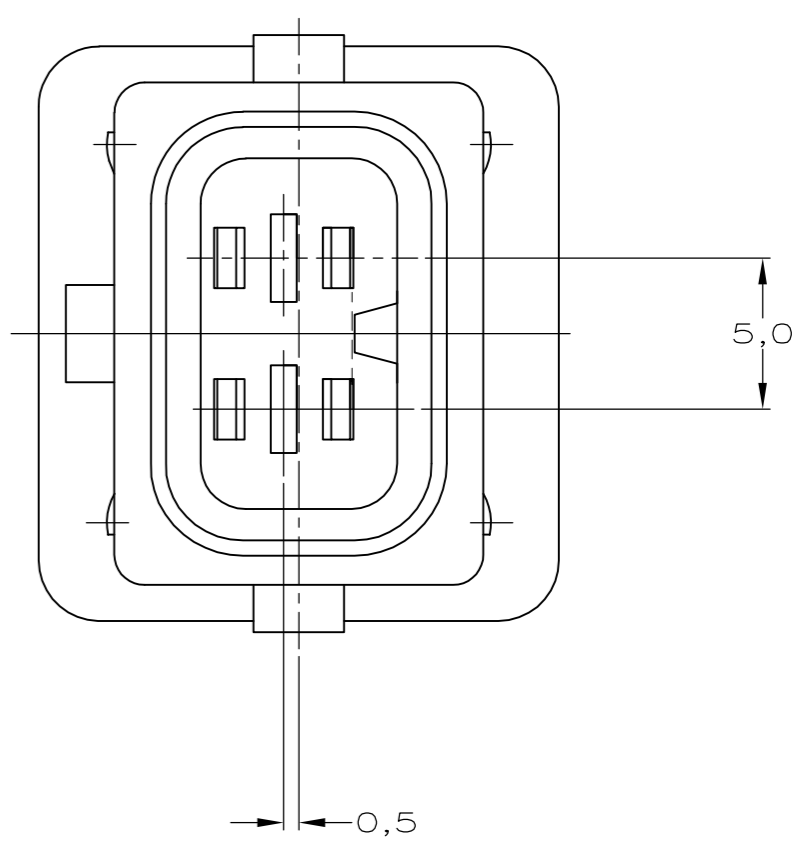
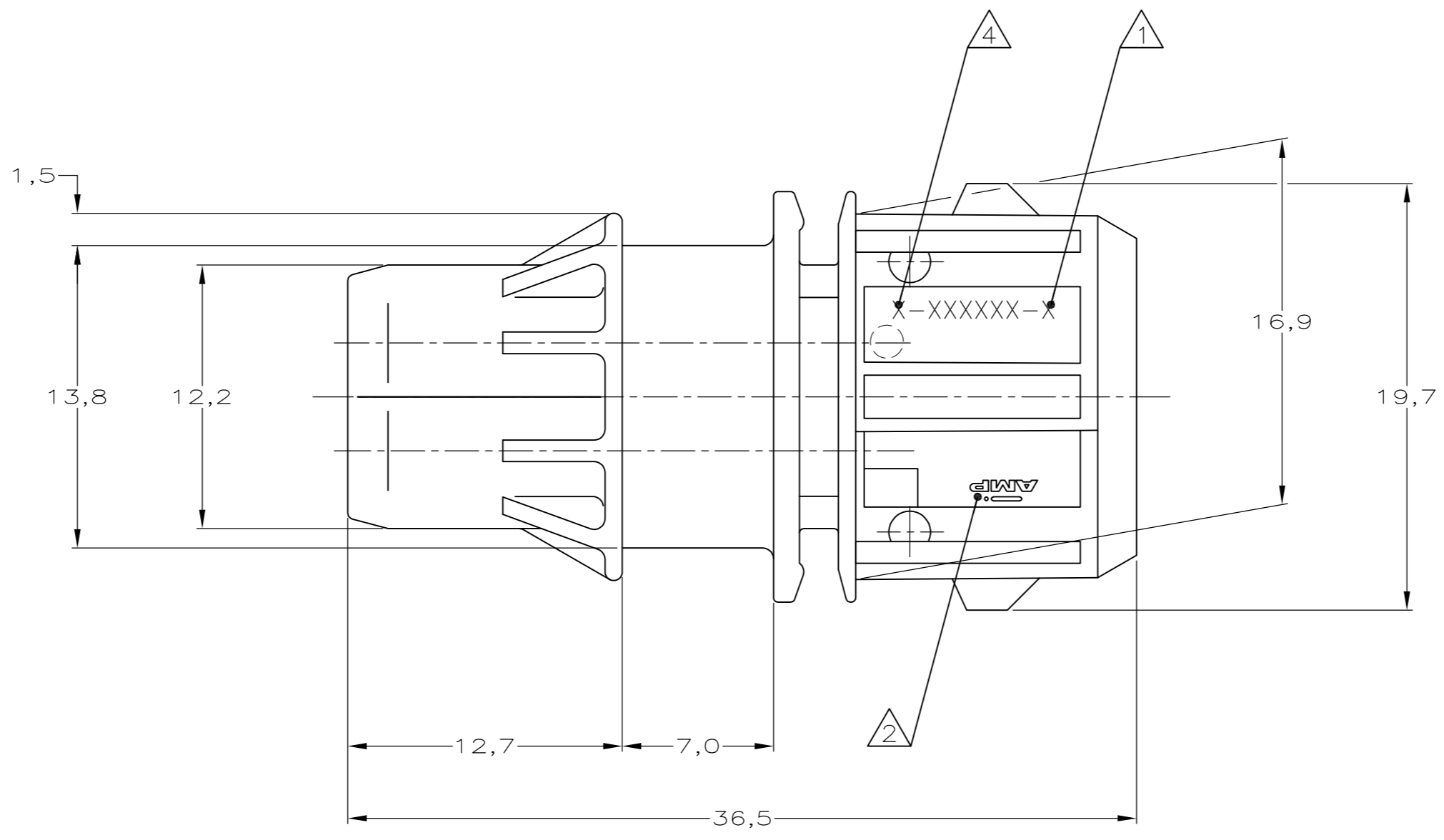
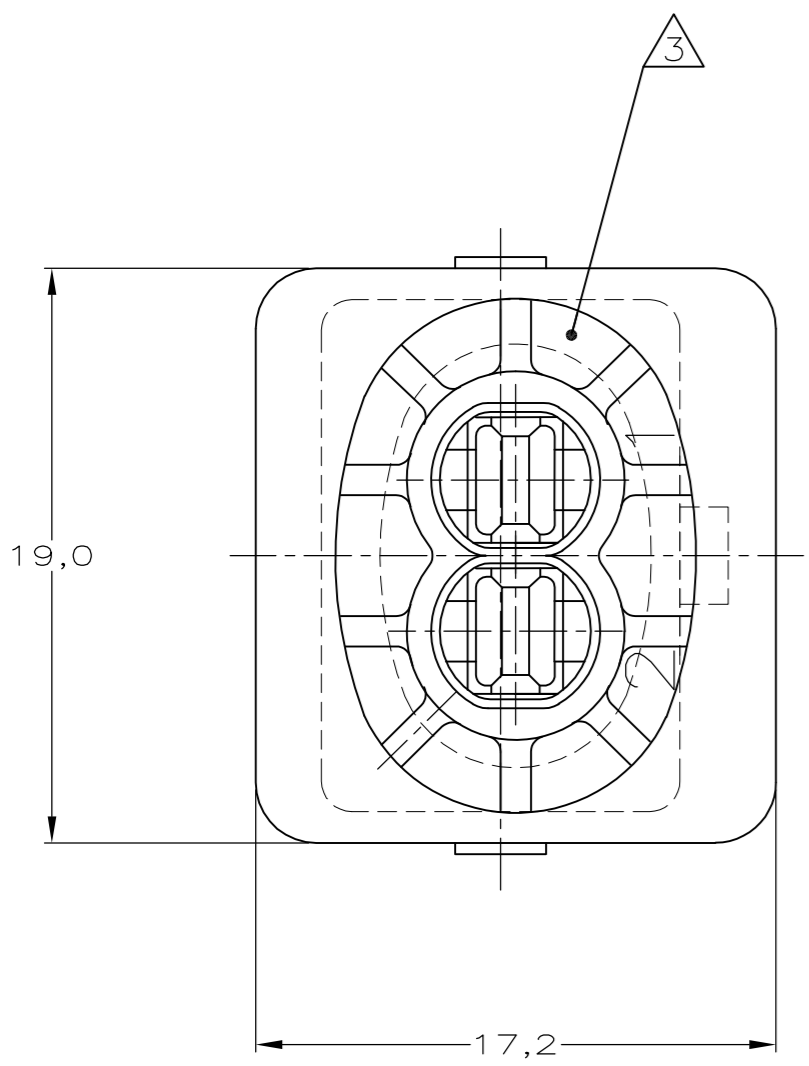
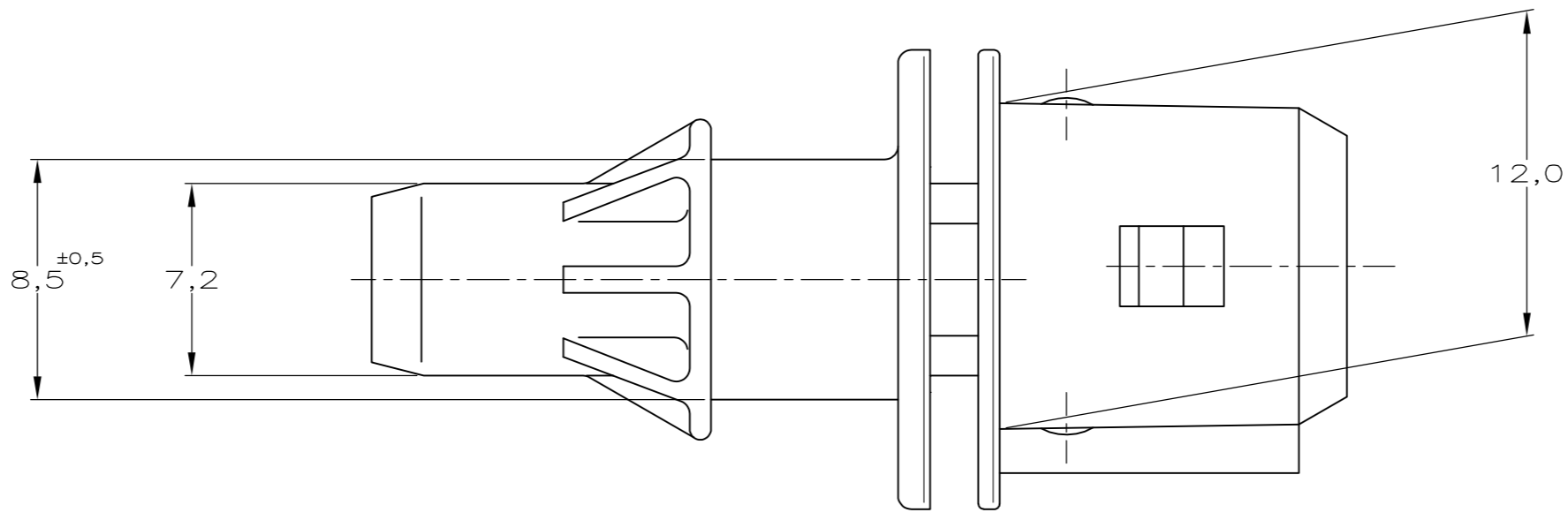
METRIC

LOC	DIST
-	-

REVISIONS				DATE	DWN	APVD
P	LTR	DESCRIPTION				
E1		REVISED PER ECO-11-005150	19MAR11	RK	HMR	
E2		ECR-13-018496	02DEC2013	VK	BB	

NOTES:

- ▲ PARTNUMBER IDENTIFICATION.
- ▲ AMP TRADE MARK.
- ▲ CAVITY IDENTIFICATION.
- ▲ POCKET IDENTIFICATION.
- 5 FITS TO HOUSING JR TIMER 282189-1 AND 827551-1.



THIS DRAWING IS A CONTROLLED DOCUMENT.

DIMENSIONS:	TOLERANCES UNLESS OTHERWISE SPECIFIED:
mm	± 0.5 mm
	0 PLC ± -
	1 PLC ± -
	2 PLC ± -
	3 PLC ± -
	4 PLC ± -
	ANGLES ± -
MATERIAL	FINISH
-	-

BLACK FINISH	PBT MATERIAL	106462-1 PARTNUMBER
NAME: 2 POS. 2.8mm TAB HOUSING		
SIZE: A2	CAGE CODE: 00779	DRAWING NO: C=106462
CUSTOMER DRAWING		SCALE: - SHEET: 1 of 1 REV: E2

106462