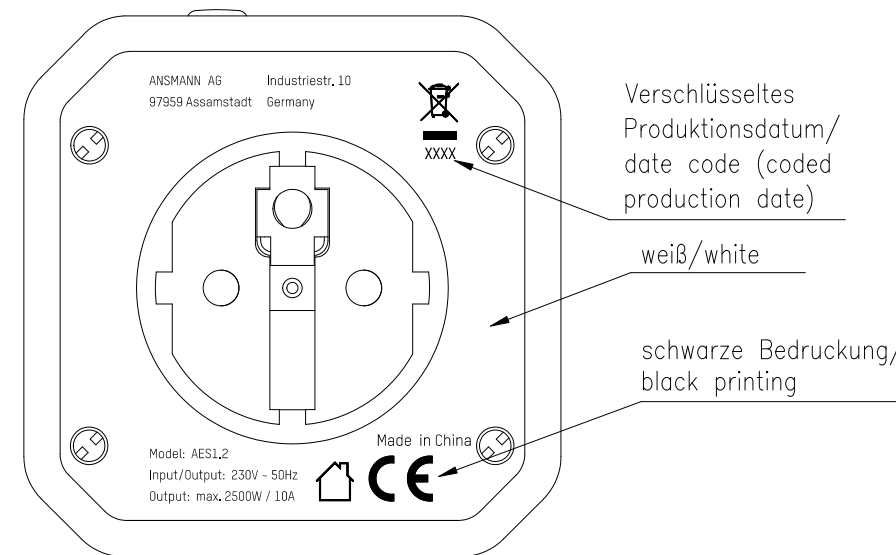
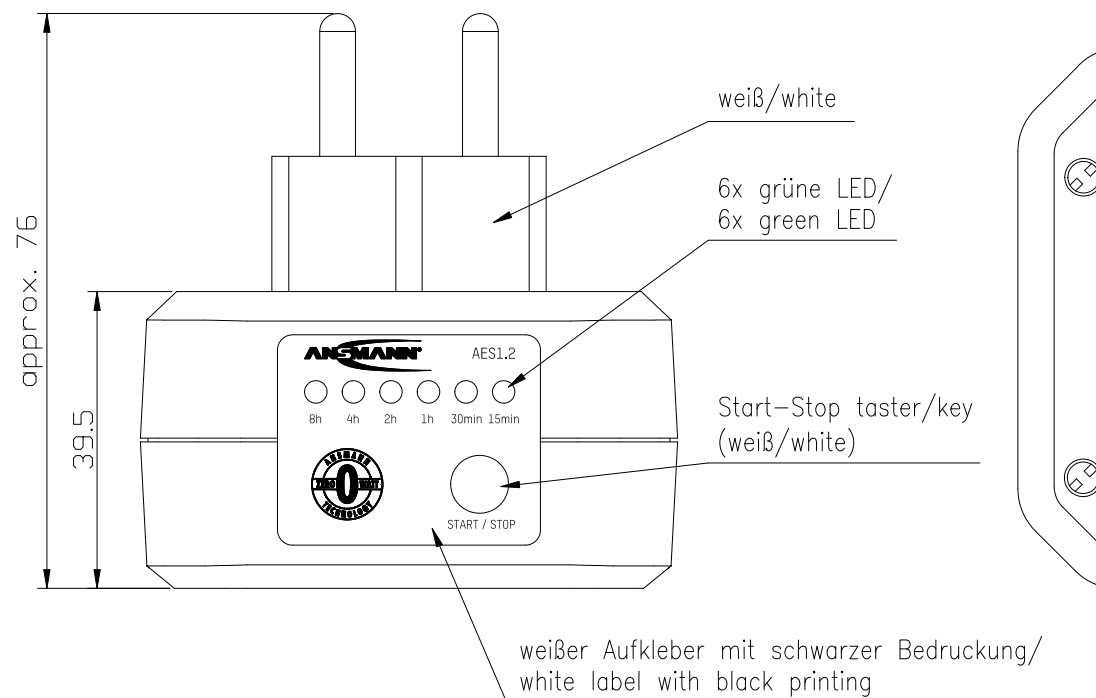
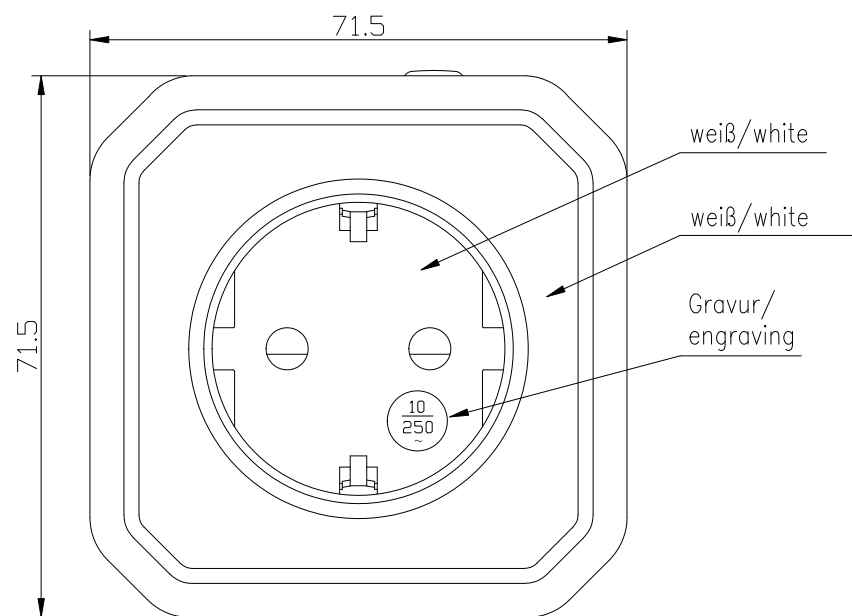


The supplier acknowledges that, with the acceptance of the drawing, he is in a position to manufacture the illustrated part in accordance with the drawing in reproducible form and series production. Through the selected manufacturing processes no impairments will arise in the material and structure which could subsequently lead to an impairment of the component. Verbal agreements over and above that are not valid. Deviations from this rule must be written and must be signed by the purchaser.

This drawing may not be copied, reproduced or made available to third parties in any way whatsoever without or prior written approval.



**Technische Daten/
technical data**

- Eingangsspannung/
input voltage : 230V ~ ±10% / 50Hz
- Ausgangsspannung/
output voltage : 230V ~ / 50Hz
- Schaltleistung/
breaking capacity : max. 2500W / 10A (Ohmsche Last / resistive load)
max. 1150VA / 5A (Induktive Last / inductive load)
- Schutzart/
protection : IP 20
- Betriebstemperatur/
operating temperature : 0°C.....+25°C
- Lagertemperatur/
storage temperature : -25°C.....+70°C
- Gewicht/
weight : 115g ohne Verpackung/
115g without package
- Gehäuse/
case : Steckergehäuse weiß/
plug-in case white
- Verpackung/
packaging : Faltschachtel inkl. mehrsprachiger Bedienungsanleitung/
carton box incl. multilingual operating instruction
- Approbation/
approval : CE

	Taster funktion/ key function	LED funktion/ LED function
1. Tastendruck (ca. 2 sek.)/ keypress (approx. 2 sec)	15 minuten/ minutes	1. LED leuchtet/ lights
2. Tastendruck/ keypress	30 minuten/ minutes	2. LED leuchtet/ lights
3. Tastendruck/ keypress	1 Stunde/ hour	3. LED leuchtet/ lights
4. Tastendruck/ keypress	2 Stunden/ hours	4. LED leuchtet/ lights
5. Tastendruck/ keypress	4 Stunden/ hours	5. LED leuchtet/ lights
6. Tastendruck/ keypress	8 Stunden/ hours	6. LED leuchtet/ lights
7. Tastendruck/ keypress	Gerät schaltet nach ca. 10 sek. ab/ device switches off after approx. 10 sec	1. LED blinkt/ flashes

Application range for inquiry AN-LN-2017-255				Allowable deviation general tolerances		Tolerance principle:		Model:		Material:		
				DIN ISO 2768-m		ISO 8015		Scale (DIN A3): 1:1		All dimensions in mm		Weight:
				2018		Date		Name		Drawing name		
				Drawn by		21.02		SIT		AES1.2		
				Approved by						Drawing number Part number		
										1260-0001		Sheet 1/1
VO		Printing changed		20.09.18		SIT				Drawing number Part number		Sheet 1/1
VO		---		21.02.18		SIT				1260-0001		
Version		Change		Date		Name		Project: xx-xxxx-xxxxx		Replaced by:		Replacement through: