

1

2

3

4

A

A

B

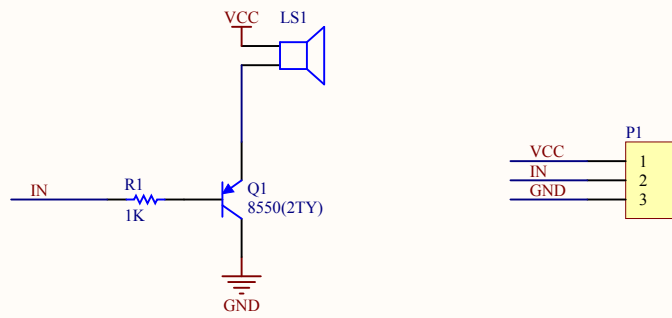
B

C

C

D

D



| | | |
|-------|------------------------------------|-----------|
| Title | | |
| Size | Number | Revision |
| A4 | | |
| Date: | 2012/4/20 | Sheet of |
| File: | E:\LCTECH\PCB\Buzzer\Sheet1.SchDoc | Drawn By: |

1

2

3

4

| Comment | Description | Designator | Footprint | LibRef | Quantity |
|-----------|-------------------------------|------------|-----------|-----------|----------|
| Speaker | Loudspeaker | LS1 | SPEAKER | Speaker | 1 |
| Header 3 | Header, 3-Pin | P1 | HDR1X3 | Header 3 | 1 |
| 8550(2TY) | PNP General Purpose Amplifier | Q1 | SOT-23 | 8550(2TY) | 1 |
| 1K | Semiconductor Resis | R1 | 0805 | RES | 1 |