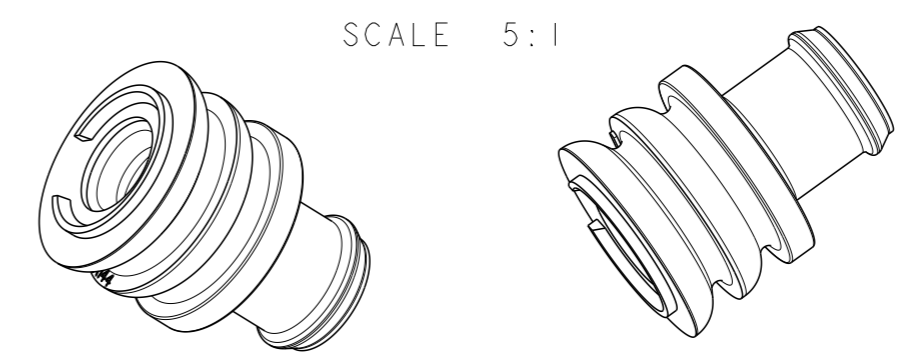
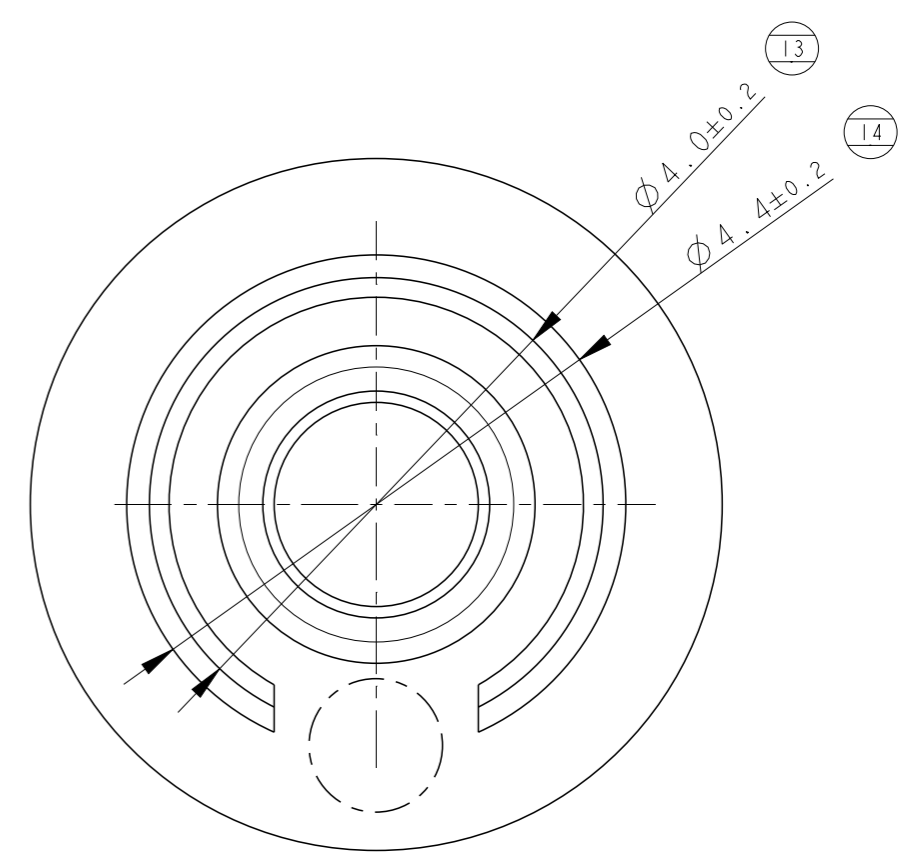
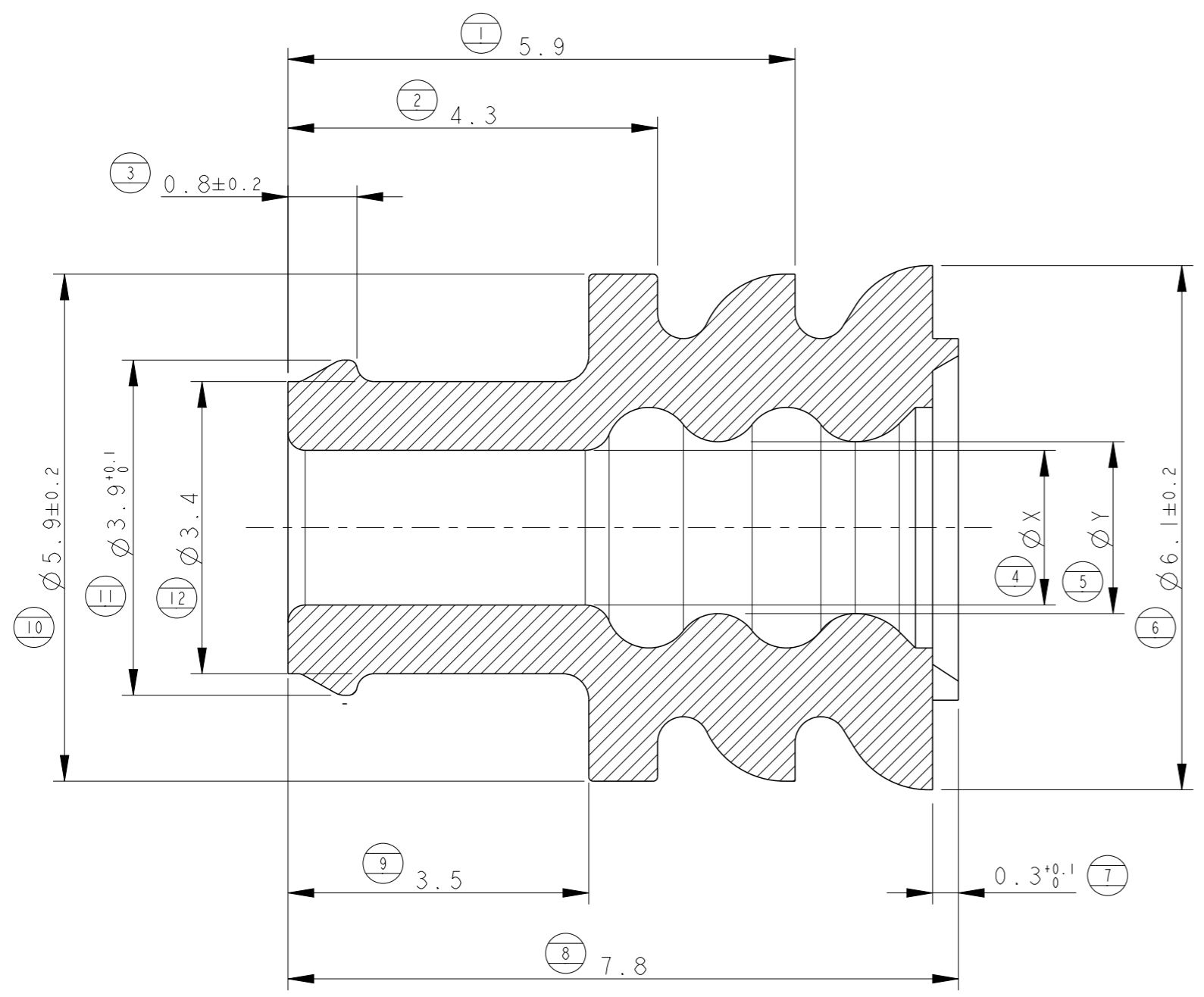


THIS DRAWING IS UNPUBLISHED. RELEASED FOR PUBLICATION 20  
 © COPYRIGHT 20 BY - ALL RIGHTS RESERVED.

REVISIONS					
P	LTR	DESCRIPTION	DATE	DWN	APVD
	H2	REDRAWN (ECR-15-005089)	09APR2015	M.G.	M.G.



SCALE 5:1

SUITABLE FOR INS. DIA	DIM. "Y"	DIM. "X"	COLOUR	MATERIAL	REV.	P/N
1.2 - 1.6	1.0±0.2	1.0±0.2	WHITE	FLUORSILICONE RUBBER (FSL)	H	281934-5
			GREEN	SILICONE RUBBER (LSR)	H	281934-4
2.5 - 3.3	2.0±0.2	1.8±0.2	RED		H	281934-3
1.7 - 2.4	1.4±0.2	1.4±0.2	YELLOW		H	281934-2

THIS DRAWING IS A CONTROLLED DOCUMENT.

DIMENSIONS:	TOLERANCES UNLESS OTHERWISE SPECIFIED:
mm	0 PLC ±0.3
	1 PLC ±0.3
	2 PLC ±-
	3 PLC ±-
	4 PLC ±-
	ANGLES ±2°
MATERIAL	FINISH
SEE TABLE	-

DWN	C. BERTINI	12-'88
CHK	A. BRUNI	05-'92
APVD	-	-
PRODUCT SPEC	-	-
APPLICATION SPEC	-	-
WEIGHT	-	-
Customer Drawing		

		TE Connectivity	
		NAME SINGLE WIRE SEAL	
SIZE	CAGE CODE	DRAWING NO	RESTRICTED TO
A3	-	C-281934	-
SCALE 15:1		SHEET 1 OF 1	REV H2