

INSTALLATION INSTRUCTION

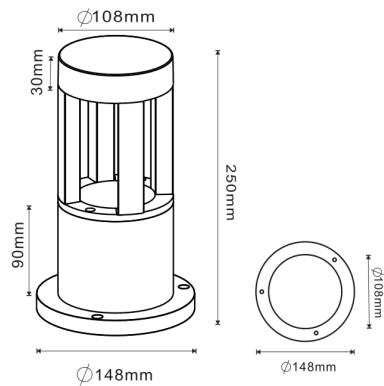
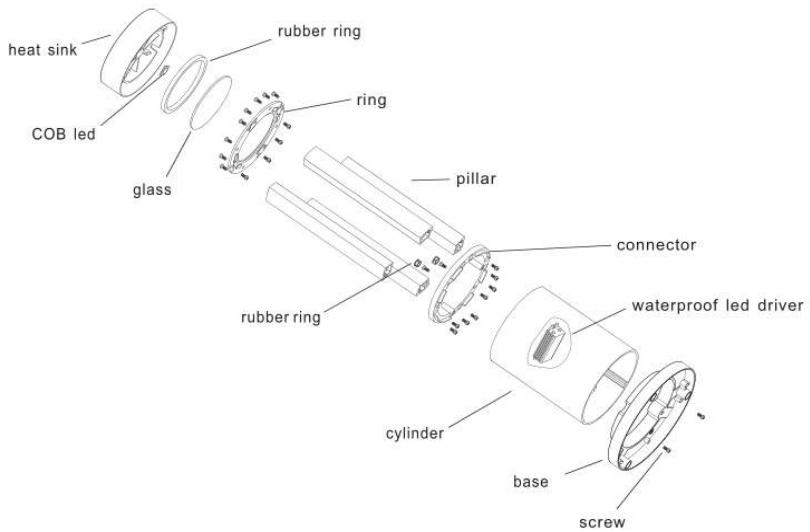
Model : VT-830
LED GARDEN LIGHT



INTRODUCTION

Thank you for selecting and buying V-TAC LED product. V-TAC will serve you the best. Please read these instructions carefully before starting the installing and keep this manual handy for future reference. If you have any other query, please contact our dealer or local vendor from whom you have purchased the product. They are trained and ready to serve you at the best.

STRUCTURE & SIZE



PRODUCT PERFORMANCE & PARAMETER

performance parameter	lamp	warm white	natural white	cool white
	lumen (lm)	400lm	420 lm	450 lm
	color temperature (K)	3000K	4000K	6400K
	CRI	≥80		
	type of LED	COB LED		
	beam angle	72°		
	decay rate (%)	less than 3% within 1000 working hours		
	total power (W)	9-11W		
	lifespan (Hrs)	≥30000Hrs		
	high voltage testing	3750Vac/1min		
LED parameter	lighting efficiency	100LM/W		
	chip quantity	20PCS		
	series-parallel way	10C2B,		
	voltage	30-33V		
	current	300mA		
driver parameter	input parameter	100-240VAC, 50/60Hz		
	power factor	0.5		
	output parameter	21-42VDC 300mA±3%		
structure parameter	material	Cast-Aluminium		
	dimension	Φ148*250mm		
	cut-out	—		
	protection class	calss II		
	IP	IP65		
environment parameter	application	hotel, home-lighting, recreation place, supermarket, office building		
	operating temperature	-25℃ ~ 50℃, 10% ~ 90% R.H.		
	storage temperature	-30℃ ~ 85℃, 0% ~ 95% R.H.		
packing specification	Qty/Ctn	carton size	N. W	G. W
	8PCS/Ctn			

INSTALLATION INSTRUCTIONS

1. Switch off the power before installing the lamp.
2. To drill the appropriate holes on the cement floor. (Picture 1)
3. Do the waterproof measure for the wire junction and then Connect the electricity AC:100-240V. (Picture 2)
4. Fix the lamp on the floor by screw. (Picture 3)
5. Cover the nut cap and switch on the power if above steps are done properly without any mistakes. (Picture 4)

