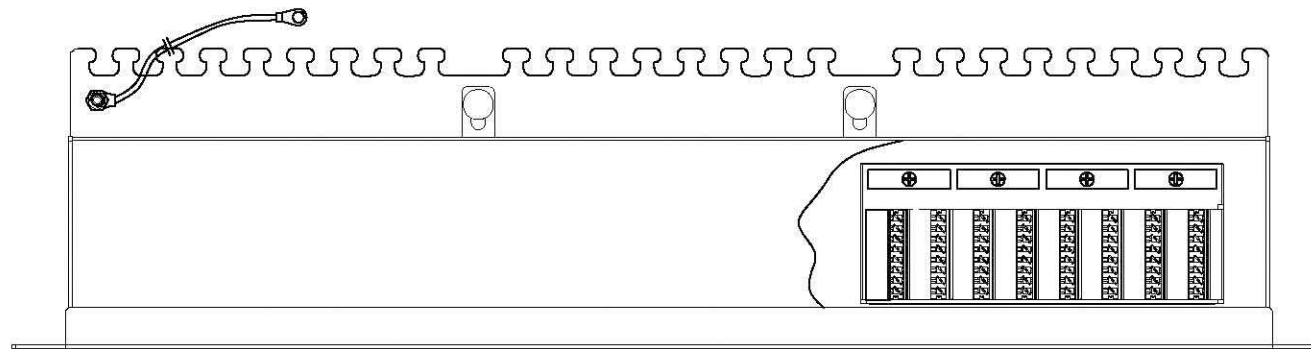


ITEM NO.	COLOR
723215	GREY
723216	BLACK



**Specification:**

**Material:**

1. Metal frame: SPCC.
2. Plastic Housing :ABS
3. RJ45 contact material & finished:
  - 3-1. Phosphor Bronze with Nickel plated.
  - 3-2. Contact area : Gold plated.

**4. IDC Housing: PC**

**5. IDC Terminal material & finished:**

- 5-1. Phosphor Bronze with Tin plated.
- 5-2. Krone tool compatible.
- 5-3. Suitable for 22-26 AWG stranded and solid wire.

**Performance:**

- a. The sticker color codes combine two wirings of T568A & T568B.
- b. Insertion Force: 900 gms for 8 contacts.
- c. Retention Strength: 7.7 kgs between Jack and Plug.
- d. Operation Temperature: -30. to 60.

**e. Durability:**

- e-1. Jack : 750 cycles Plug-Jack mating and unmating test, Insertion cycles at 20 cycles/minute max. Contact resistance test per 100 cycles.
- e-2. IDC : Max. 200 punching times.
- f. The Cat.6A performance is in compliance with the ANSI/TIA/EIA 568 C.2 standard.

			Tolerance: X. ±0.5 .X ±0.3 .XX ±0.10	SCALE: FREE	CUSTOMER: 			Approved by
			Angle: X° ±3° .X° ±1°	UNIT: mm			CUSTOMER P/N:	COMPANY P/N:
REV.	DESCRIPTION	DATE		REV.: 00	SHEET 1/1	DWG. No.:	TITLE: FTP 24 port Cat6A PatchPanel	Design by XJH