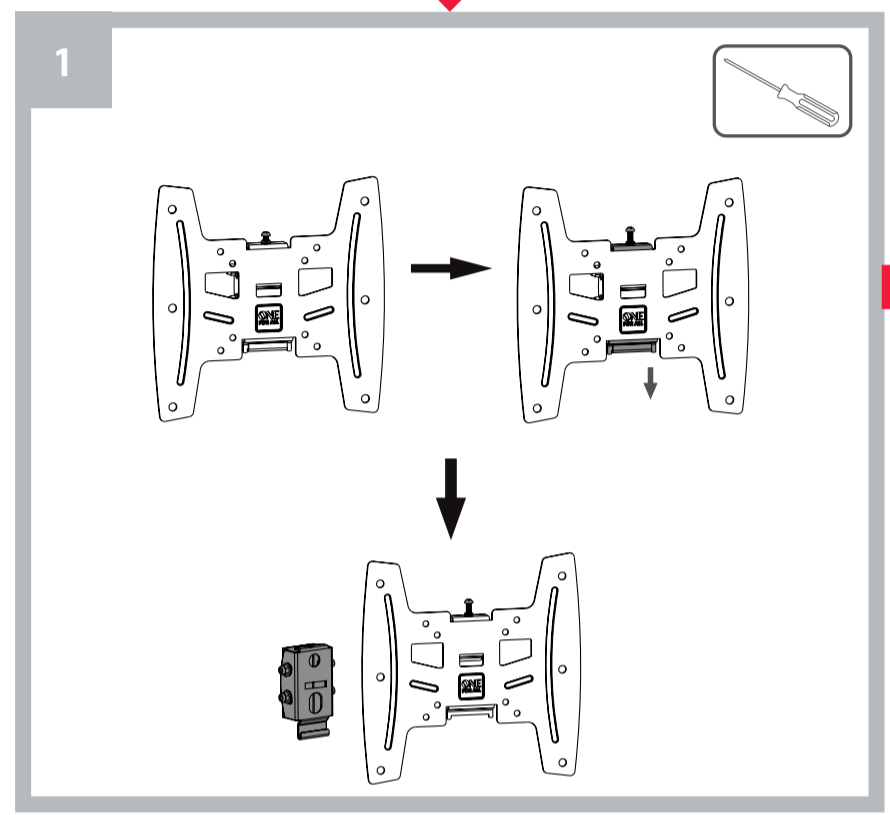
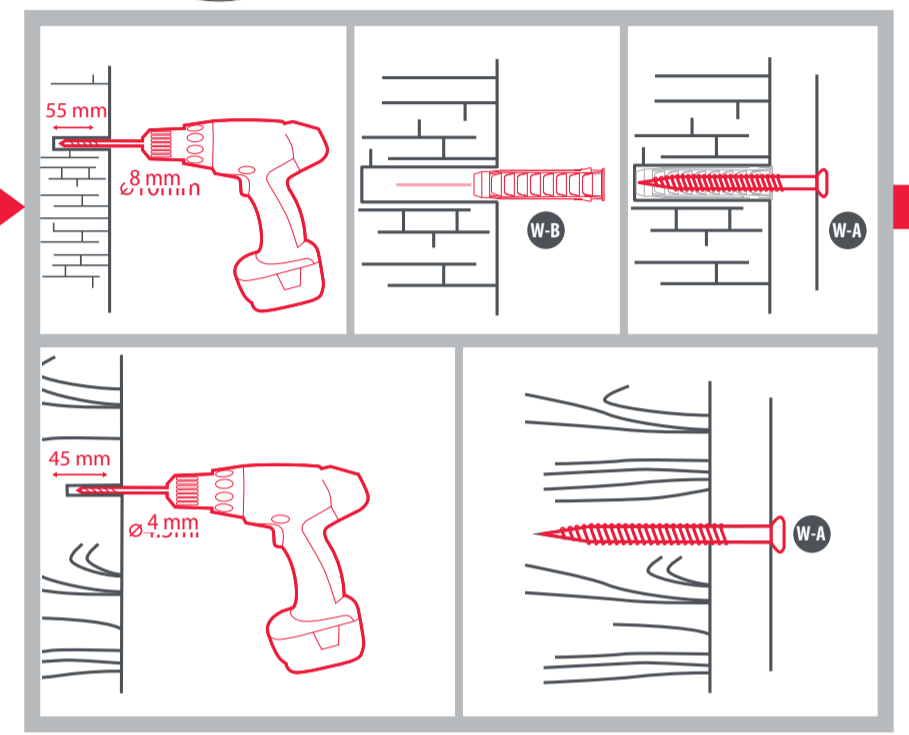


**START**

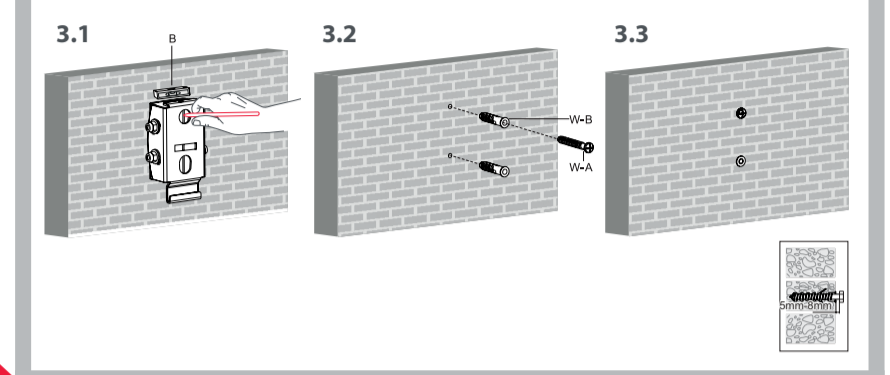


2 **WARNING**

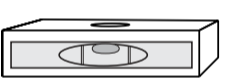
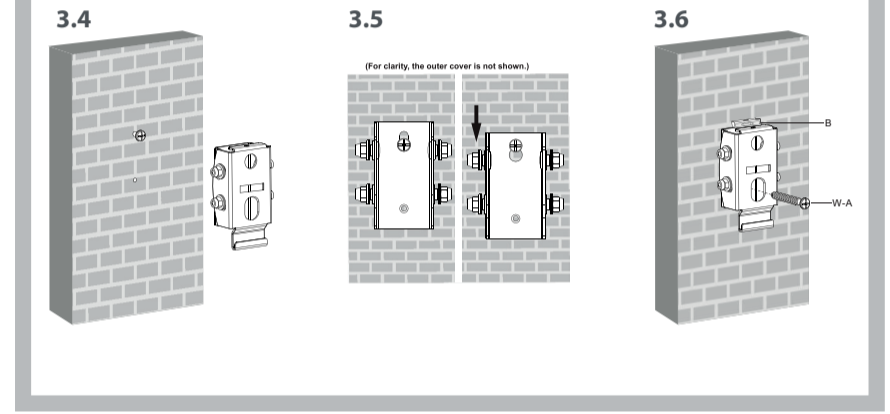
Please verify that the supporting surface will safely support the combined weight of the equipment and all attached hardware and components.



3a

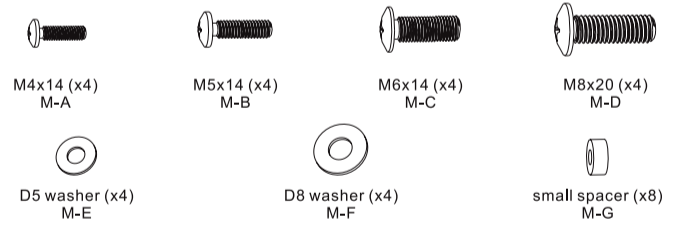


3b

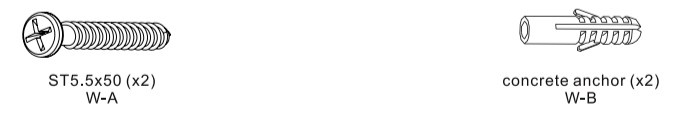


**B**

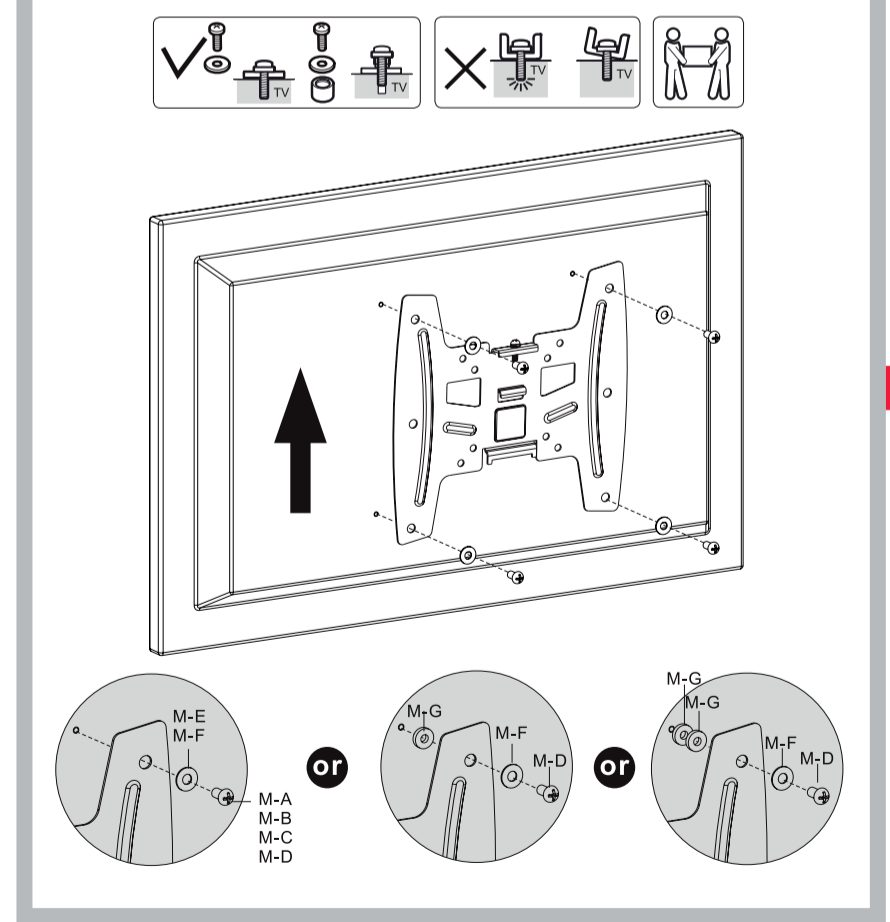
**Package M**



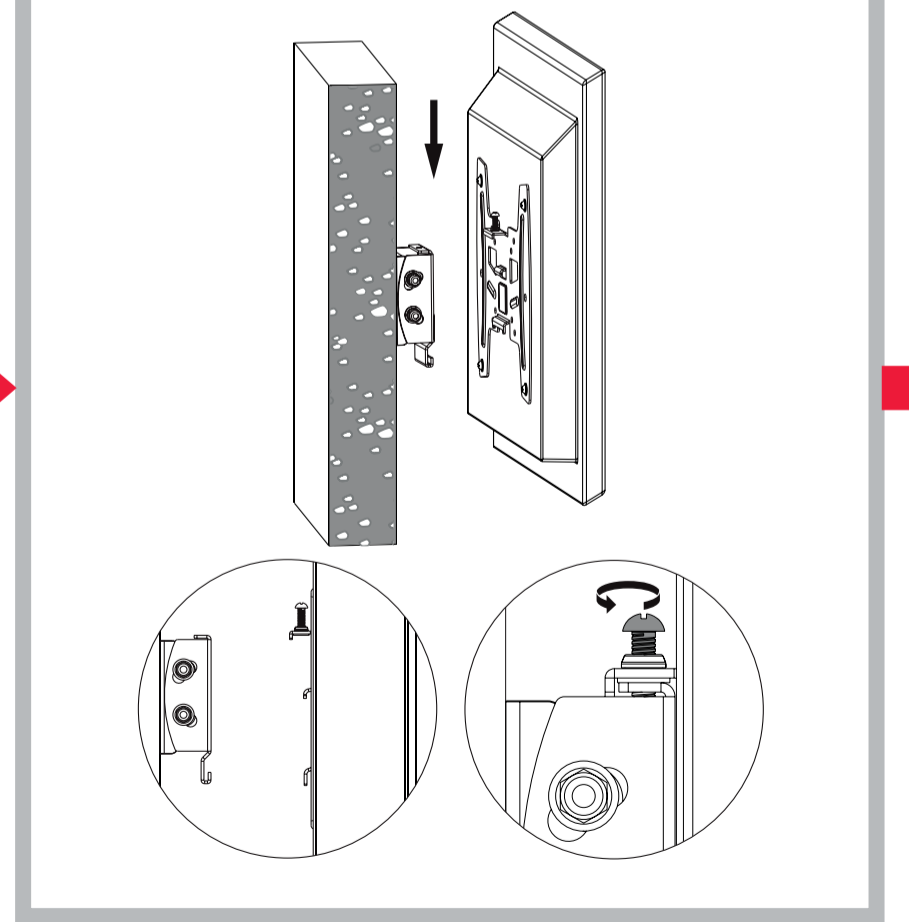
**Package W**



4



5



6

