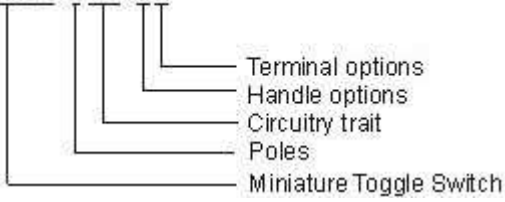




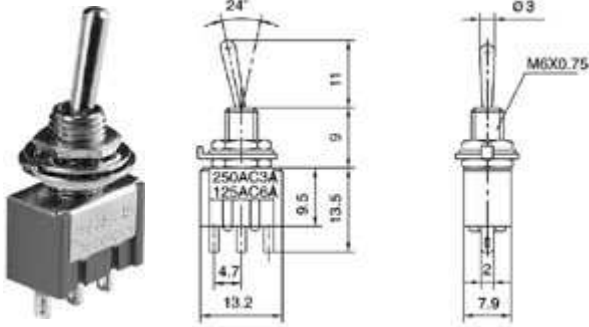
**Ordering Information:**

**MTS- 102-A1**

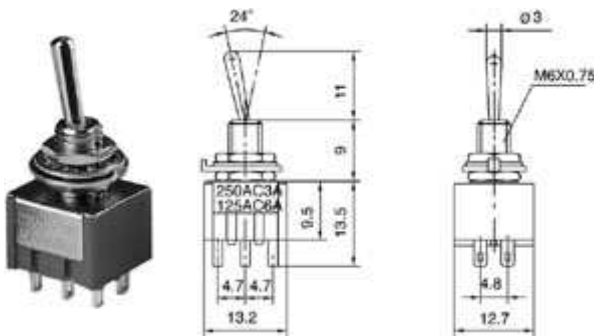


**Ordering Information:**

- 1.Rating: AC 125V 6A; AC 250V 3A
- 2.Contact R: 20m $\Omega$  Max
- 3.Insulation R: DC 500V 1000M $\Omega$  Min
- 4.Dielectric strength: AC 1500V,1 Minute
- 5.Operating Temperature: -55°C~+85°C
- 6.Electrical Life: 20,000 Cycles



| Model No | Circuitry trait |     |      | Type | Terminals |
|----------|-----------------|-----|------|------|-----------|
|          |                 |     |      |      |           |
| MTS-101  | ON              | -   | OFF  | SPST | 2P        |
| MTS-102  | ON              | -   | ON   | SPDT | 3P        |
| MTS-112  | ON              | -   | (ON) | SPDT | 3P        |
| MTS-103  | ON              | OFF | ON   | SPDT | 3P        |
| MTS-113  | ON              | OFF | (ON) | SPDT | 3P        |
| MTS-123  | (ON)            | OFF | (ON) | SPDT | 3P        |



| Model No | Circuitry trait |     |      | Type | Terminals |
|----------|-----------------|-----|------|------|-----------|
|          |                 |     |      |      |           |
| MTS-201  | ON              | -   | OFF  | DPST | 4P        |
| MTS-202  | ON              | -   | ON   | DPDT | 6P        |
| MTS-212  | ON              | -   | (ON) | DPDT | 6P        |
| MTS-203  | ON              | OFF | ON   | DPDT | 6P        |
| MTS-213  | ON              | OFF | (ON) | DPDT | 6P        |
| MTS-223  | (ON)            | OFF | (ON) | DPDT | 6P        |

( ): Indicates Momentary

**Handle options**

| Standard(A) | Short (C) | Grand (G) | Toggle cap (D) | Plastic Flat(E) | Metal Flat(F) |
|-------------|-----------|-----------|----------------|-----------------|---------------|
|             |           |           |                |                 |               |

**Terminal options**

| Solder terminal(1) | PC terminal (2) | PC-H terminal (3) | PC-V terminal (4) |
|--------------------|-----------------|-------------------|-------------------|
|                    |                 |                   |                   |