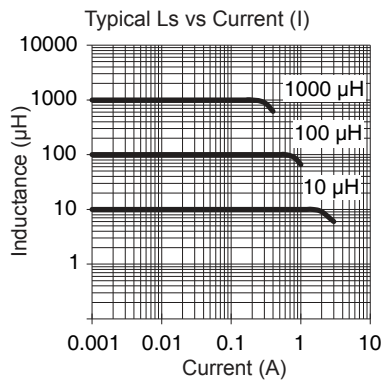
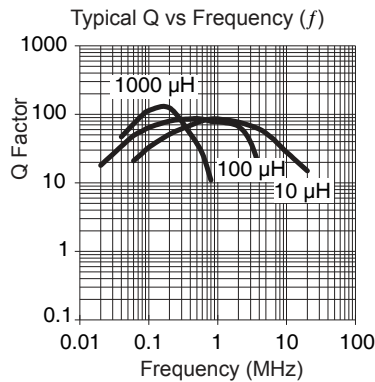
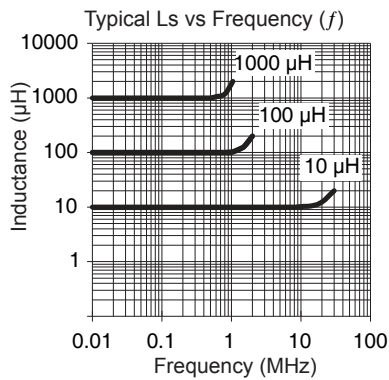
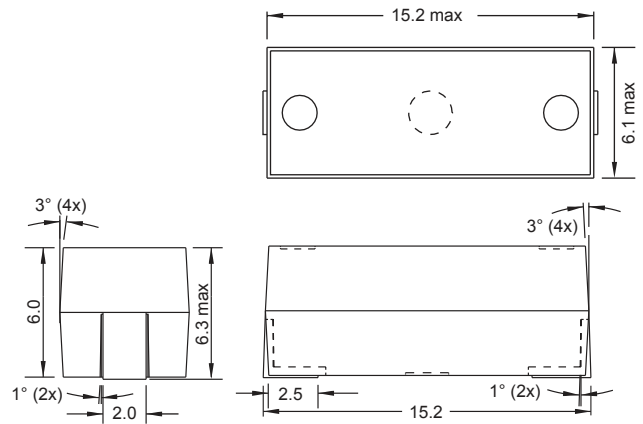


# CCSH

Similar to axial HBCC



Part No	Inductance	f <sub>L</sub>	Tol	Q	f <sub>a</sub>	SRF <sub>min</sub>	DCR <sub>max</sub>	Rated DC Current
	L (µH)	(MHz)	± (%)	min	(MHz)	(MHz)	(Ω)	(A)
CCSH-100K-04	10	0.1	<b>10</b>	55	2.52	18	0.17	1.40
CCSH-120K-04	12	0.1	<b>10</b>	55	2.52	13	0.20	1.30
CCSH-150K-04	15	0.1	<b>10</b>	55	2.52	9.0	0.23	1.25
CCSH-180K-04	18	0.1	<b>10</b>	45	2.52	8.5	0.25	1.20
CCSH-220K-04	22	0.1	<b>10</b>	45	2.52	8.0	0.29	1.10
CCSH-270K-04	27	0.1	<b>10</b>	45	2.52	7.5	0.31	1.00
CCSH-330K-04	33	0.1	<b>10</b>	45	2.52	6.7	0.38	0.90
CCSH-390X-04	39	0.1	<b>5,10</b>	40	2.52	6.2	0.41	0.85
CCSH-470X-04	47	0.1	<b>5,10</b>	35	2.52	5.8	0.44	0.80
CCSH-560X-04	56	0.1	<b>5,10</b>	35	2.52	5.1	0.49	0.75
CCSH-680X-04	68	0.1	<b>5,10</b>	30	2.52	4.8	0.65	0.70
CCSH-820X-04	82	0.1	<b>5,10</b>	30	2.52	4.2	0.68	0.65
CCSH-101X-04	100	0.02	<b>5,10</b>	45	0.796	4.0	0.70	0.60
CCSH-121X-04	120	0.02	<b>5,10</b>	50	0.796	3.4	0.80	0.55
CCSH-151X-04	150	0.02	<b>5,10</b>	50	0.796	3.0	0.90	0.50
CCSH-181X-04	180	0.02	<b>5,10</b>	50	0.796	2.6	0.95	0.45
CCSH-221X-04	220	0.02	<b>5,10</b>	50	0.796	2.2	1.20	0.40
CCSH-271X-04	270	0.02	<b>5,10</b>	45	0.796	1.8	1.30	0.37
CCSH-331X-04	330	0.02	<b>5,10</b>	40	0.796	1.6	1.70	0.33
CCSH-391X-04	390	0.02	<b>5,10</b>	40	0.796	1.5	1.90	0.31
CCSH-471X-04	470	0.02	<b>5,10</b>	35	0.796	1.38	2.50	0.28
CCSH-561X-04	560	0.02	<b>5,10</b>	25	0.796	1.25	2.80	0.26
CCSH-681X-04	680	0.02	<b>5,10</b>	20	0.796	1.20	3.00	0.24
CCSH-821X-04	820	0.02	<b>5,10</b>	20	0.796	1.15	3.40	0.22
CCSH-102X-04	1000	0.02	<b>5,10</b>	45	0.252	1.10	3.80	0.20
CCSH-122X-04	1200	0.02	<b>5,10</b>	55	0.252	1.05	5.30	0.18
CCSH-152X-04	1500	0.02	<b>5,10</b>	55	0.252	1.00	6.00	0.16
CCSH-182X-04	1800	0.02	<b>5,10</b>	55	0.252	0.95	6.80	0.14
CCSH-222X-04	2200	0.02	<b>5,10</b>	55	0.252	0.90	7.80	0.12
CCSH-272X-04	2700	0.02	<b>5,10</b>	55	0.252	0.80	11.0	0.12
CCSH-332X-04	3300	0.02	<b>5,10</b>	55	0.252	0.65	13.0	0.11
CCSH-392X-04	3900	0.02	<b>5,10</b>	55	0.252	0.62	18.0	0.10
CCSH-472X-04	4700	0.02	<b>5,10</b>	55	0.252	0.60	21.0	0.09
CCSH-682X-04	6800	0.02	<b>5,10</b>	30	0.252	0.40	32.0	0.08
CCSH-103X-04	10000	0.02	<b>5,10</b>	45	0.0796	0.35	40.0	0.06
CCSH-183X-04	18000	0.02	<b>5,10</b>	40	0.0796	0.26	105.0	0.04
CCSH-333X-04	33000	0.02	<b>5,10</b>	30	0.0796	0.20	150.0	0.035

Core Material : Ferrite

Revision date : 10 Feb 2015

SPQ : Taped / Reel 750 [-04]

Remarks : For tax pulse filters same series is available with suitable L-values.  
I<sub>1</sub> - see description in Inductors Technical Data.