

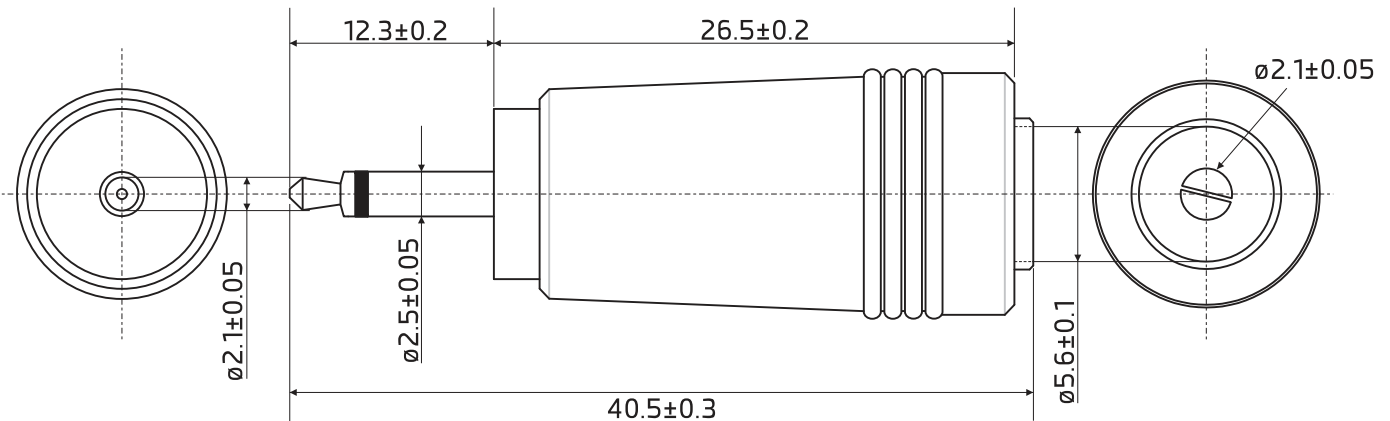
**DC Barrel Adaptor,
5.5/2.1 mm to 2.5 mm Mono plug**



Specification

Material

- Inner insulator: PE, Transparent
- Outer insulator: PVC, Black
- Contact: Brass, Nickel plated
- Current rating: 2A
- Voltage rating: 12 Vdc
- Connector resistance: 30 mΩ max.
- Insulation resistance: 100 MΩ min.
- Operation temperature: -20°C ~ 70°C



Dimension: mm