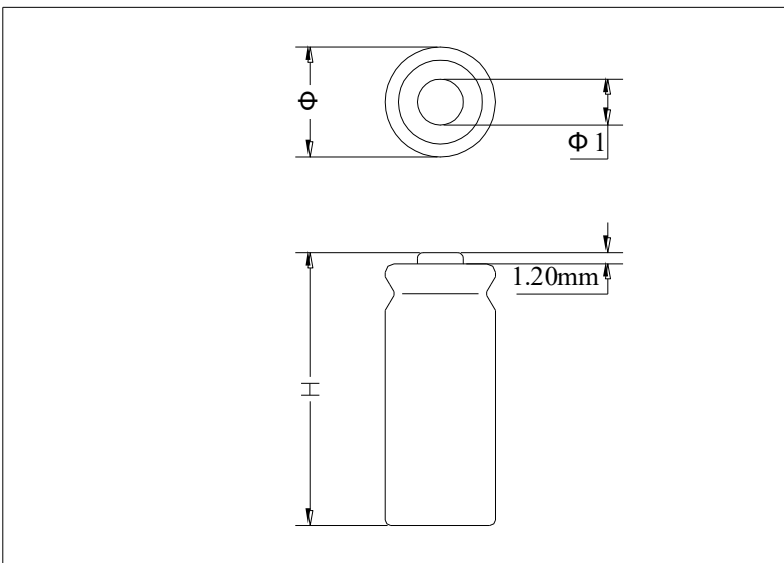


H28NJ500 Specification

Battery specification

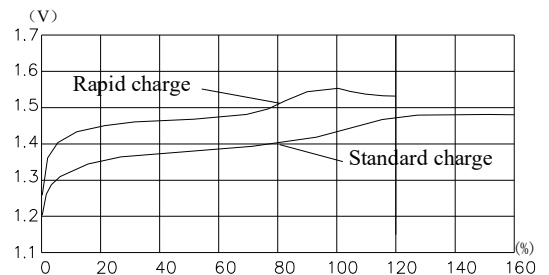
Name	Ni-MH rechargeable battery	
Model	H28NJ500	
Nominal voltage	1.2V	
Application current	50mA-1500mA	
Capacity	Discharge current	0.2C (100mA)
	Minimum	500mAh
	Typical	520mAh
Size (Uncased)	H	28.5± 0.3mm
	Φ	11.8± 0.2mm
	Φ 1	5.0± 0.2mm
Charge	Standard charge	50mA × 16hrs
	Rapid charge	250mA × 144min
Cycle life	≥500 cycle	
Internal impedance	≤35 mΩ	
Weight	About 9.5g	
Temperature range for operation	Standard Charge	0°C to 45°C
	Rapid Charge	10°C to 35°C
	Discharge	-10°C to 55°C
	Storage	-20°C to 45°C

Sketch map

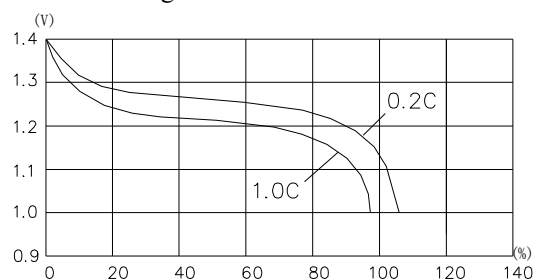


Characteristics curve

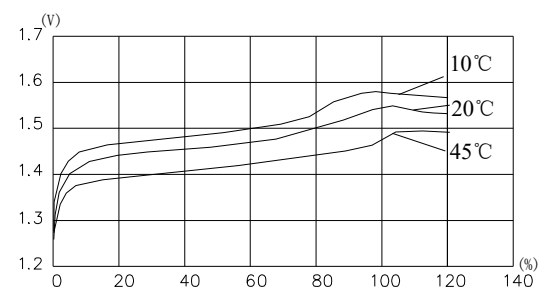
20°C charge characteristic



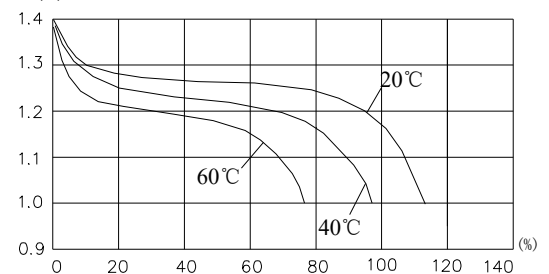
20°C discharge characteristics



Charge efficiency temperature characteristics



Discharge efficiency temperature characteristics (V)



Note:

- 1、 Ambient request:
Temperature: 20°C ± 5°C;
Humidity: 65% ± 20%.
- 2、 The offered information just for reference only.
Any information beyond our supply,
please refer to us.