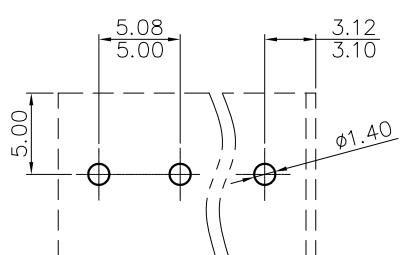
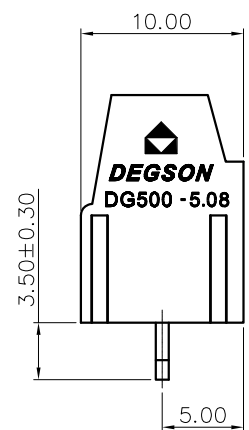
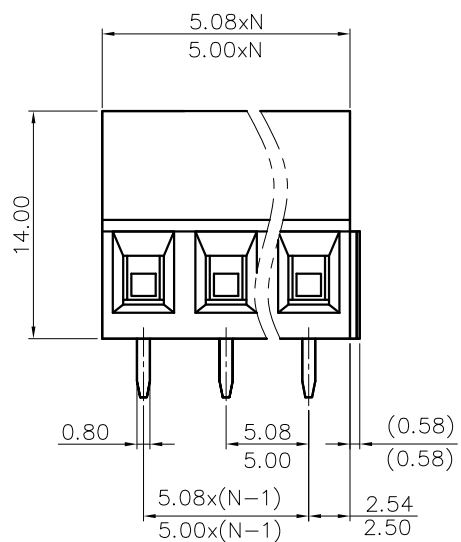
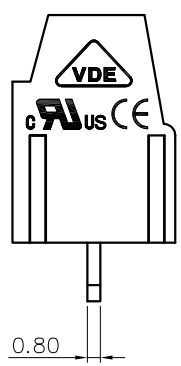
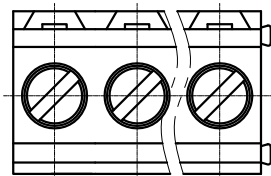


| REVISION RECORD | | | | |
|-----------------|-----|-------------|------|------|
| REV | ECN | DESCRIPTION | DRFT | DATE |



PCB LAYOUT

NOTES1:

- UL Standard
 - 1.Rated voltage/current : 300V / 20A
 - 2.Torque value : M2.5 , 3.54Lb.in
 - 3.Wire range : 30~12AWG
- IEC Standard
 - 1.Rated voltage/current : 250V / 18A
 - 2.Torque value : M2.5 , 0.4N·m
 - 3.Wire range : 1.0~2.5mm²

NOTES2:

- 1.Dimension shall be interpreted per ASME Y14.5-2009
- 2.Pitch : 7.62mm, Poles : N=02~XXP
- 3.Stripping length : 6~7mm
- 4.Withstanding voltage : AC2000V/1Min
- 5.Operating temperature: -40°C~+105°C
- 6.Undimensioned tolerances:

| Pitch range in mm | | | Nominal dimension range in mm | | | | - | ∩ | □ |
|-------------------|---------|---------|-------------------------------|---------|---------|---------|--------|-----|---|
| TO | Over TO | Over TO | TO | Over TO | Over TO | Over TO | | | |
| 6 | 10 | 24 | 30 | 60 | 100 | 150 | 0.1/10 | | |
| ±0.15 | ±0.20 | ±0.30 | ±0.30 | ±0.50 | ±0.70 | ±1.00 | ±1.30 | ±2* | |

7.RoHS Compliance

DG500 - 5.0/5.08 - XXP - 1Y - 00A (H)

(Series No.) (Pitch) (Poles) (Single Pitch) (Color): 1.(Grey) 2.(Blue) 3.(Black) 4.(Green) 5.(Orange) 6.(Red) 7.(Transparent) 8.(Yellow) 9.(White)

(RoHS) 00A-(Standard)

| | | | | | | |
|----------------|-----------|----------------------|------------------------------------|-------|---|----|
| DETACHED LISTS | PART NO.: | / | | | 宁波高松电子有限公司 NINGBO DEGSON ELECTRICAL CO., LTD | |
| | APPD: | / | NAME: DG500-5.0/5.08-XXP-1Y-00A(H) | | | |
| | CHKD: | / | TITLE: CUSTOMER DRAWING | | | |
| | DRFT: | / | DRAWING NO.: | | REV | DO |
| | | DO NOT SCALE DRAWING | | SHEET | 1/1 | |
| | | MM (INCH) | | SCALE | 1:1 | |