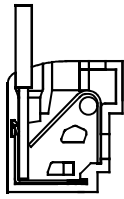


18FF-2Z/4Z-C10

PUSH-IN RELAY SOCKETS



File No.:E253370



Features

- Nominal Voltage:250VAC/DC
- Ambient Temperature:-40℃~70℃
- Wire stripping length:10mm min.
- Accessory Available : Retainer, Jumper, Marker,Module
- IP protection : IP20 (IEC 60529)
- Applicable relay types: HF18FF/18FZ etc.

CONTACT DATA

Type	Nominal Voltage	Nominal current	Ambient Temperature	Dielectric Strength	Screw torque	Wire stripping length	Unit weight Approx.	Package Qty. Min.
18FF-2Z-C10	250VAC/DC	10A	-40℃~70℃	2000 Vrms	—	10mm	57g	10
18FF-4Z-C10	250VAC/DC	6A*	-40℃~70℃	2000 Vrms	—	10mm	65g	10

Notes: for the socket model of "*", the total current of each group shall not exceed 20A.

OUTLINE DIMENSIONS, WIRING DIAGRAM AND PC BOARD LAYOUT

Socket (If you need accessories, please order separately)	Outline Dimensions	Wiring Diagram / PCB Layout	Accessory Available
		<p>18FF-4Z-C10</p> <p>18FF-2Z-C10</p>	<p>Retainer: 18FF-H4 18FF-H5</p> <p>Jumper: 18FF-J2</p> <p>Marker: 18FF-M1</p> <p>module: HFAA~HFHU</p>

Notes: *If need accesscry,please order with type.



HONGFA RELAY

ISO9001、IATF16949、ISO14001、OHSAS18001、IECQ QC 080000 CERTIFIED

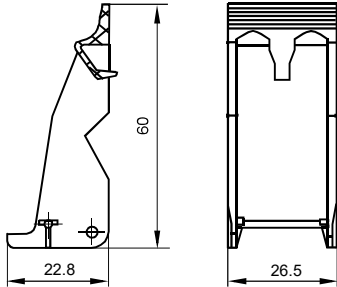
2022 Rev. 1.00

DIMENSION OF RELATED ACCESSORY (AVAILABLE)

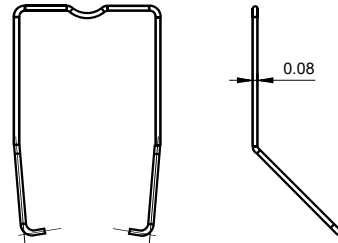
Unit: mm

Retainer

18FF-H4 (Plastic retainer)

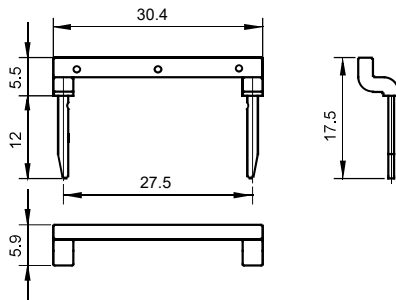


18FF-H5 (metallic retainer)



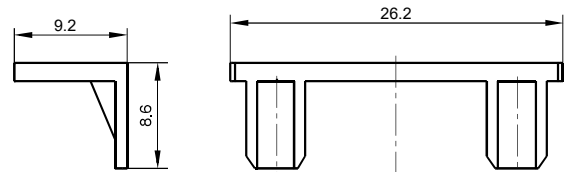
Jumper

18FF-J2



Marker

18FF-M1

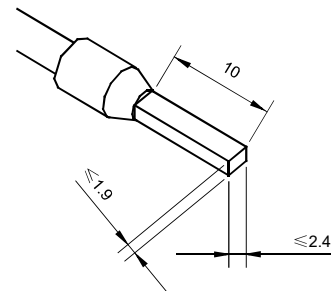


PRECAUTIONS FOR USE

Applicable conductor cross section

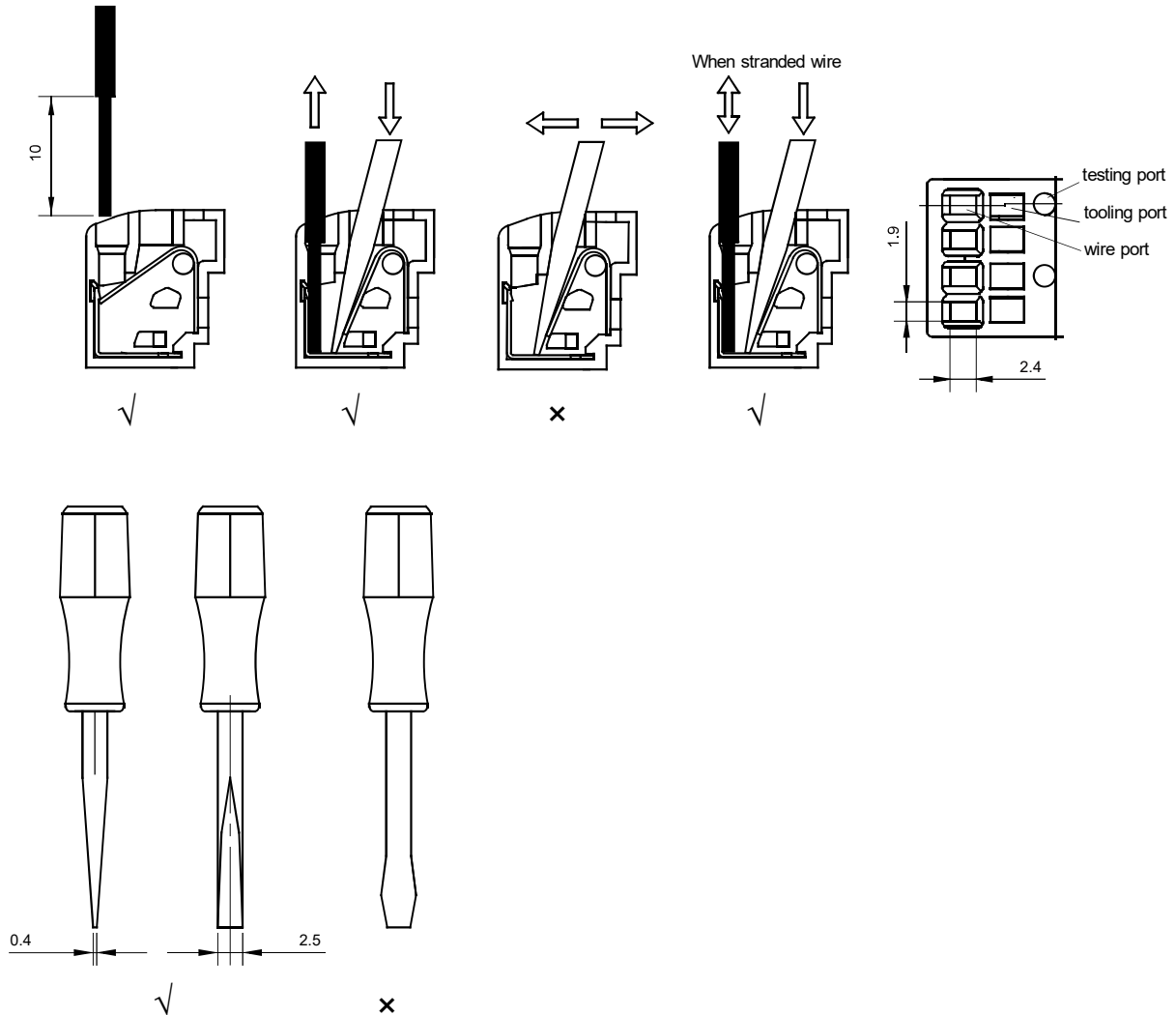
Single strand conductor	1×0.5/0.75/1.0/1.5/2.5 mm ²	
	2×0.5/0.75/1.0/1.5 mm ²	
Multi strand conductor	Multi-stranded wire without standard sleeve	1×0.5/0.75/1.0/1.5/2.5 mm ²
		2×0.5/0.75/1.0/1.5 mm ²
	Multi-stranded wire with standard sleeve	1×0.5/0.75/1.0/1.5 mm ²
		2×0.5/0.75/1.0 mm ²

Notes: The sleeve used shall conform to DIN 46228-4 and the conductor used shall conform to IEC 60227-3.



PRECAUTIONS FOR USE

Precautions For Use



Things to be noticed when selecting sockets:

1. Please choose suitable relay socket according to the actual mounting environment, relay contact poles and terminal layout. If there is any query on selection, please contact Hongfa for the technical service.
2. Socket which can be mounted with markers is furnished with a marker; as for other related components, they should be selected separately. Please do give clear indication of the types of relay sockets and related components you choose while placing order.
3. The above is only an example of typical socket and related component type which is suitable to HF18FZ relay. If you have any special requirements, please contact us.
4. Main outline dimension, outline dimension $> 50\text{mm}$, tolerance should be $\pm 1\text{mm}$; $20\text{mm} < \text{outline dimension} \leq 50\text{mm}$, tolerance should be $\pm 0.5\text{mm}$; $5\text{mm} < \text{outline dimension} \leq 20\text{mm}$, tolerance should be $\pm 0.4\text{mm}$; outline dimension $\leq 5\text{mm}$, tolerance should be $\pm 0.3\text{mm}$.
5. DIN rail mounting: recommend to use standard rail $35 \times 7.5 \times 1\text{mm}$, $35 \times 15 \times 1\text{mm}$.

Disclaimer

The specification is for reference only. See to "Terminology and Guidelines" for more information. Specifications subject to change without notice. We could not evaluate all the performance and all the parameters for every possible application. Thus the user should be in a right position to choose the suitable product for their own application. If there is any query, please contact Hongfa for the technical service. However, it is the user's responsibility to determine which product should be used only.

© Xiamen Hongfa Electroacoustic Co., Ltd. All rights of Hongfa are reserved.