

REVISION RECORD

REV	ECN	DESCRIPTION	DRFT	DATE
-----	-----	-------------	------	------

NOTES1:

UL Standard

1.Rated voltage/current : 300V / 8A

IEC Standard

1.Rated voltage/current : 250V / 10A

NOTES2:

1.Dimension shall be interpreted per ASME Y14.5-2009

2.Pitch : 3.5/3.81mm, Poles : N=01~24P

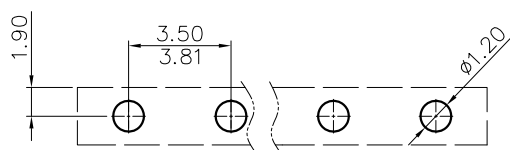
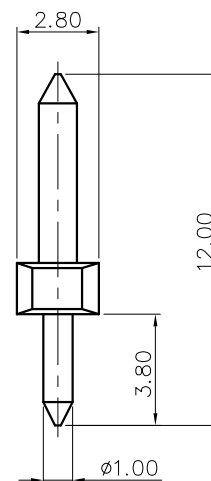
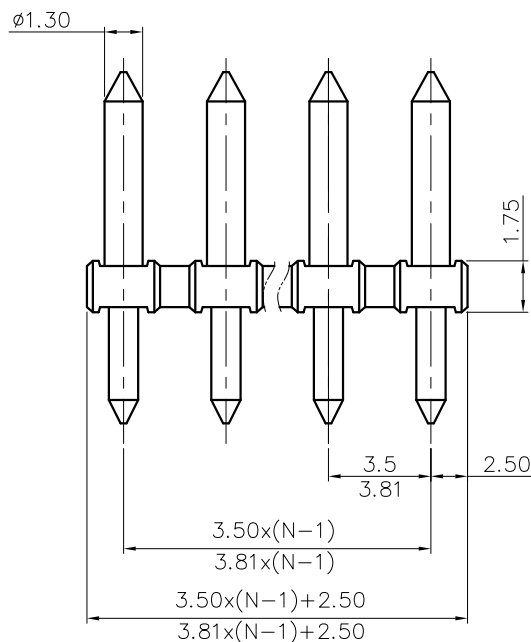
3.Withstanding voltage : AC2000V/1Min

4.Operating temperature : -40°C~+105°C

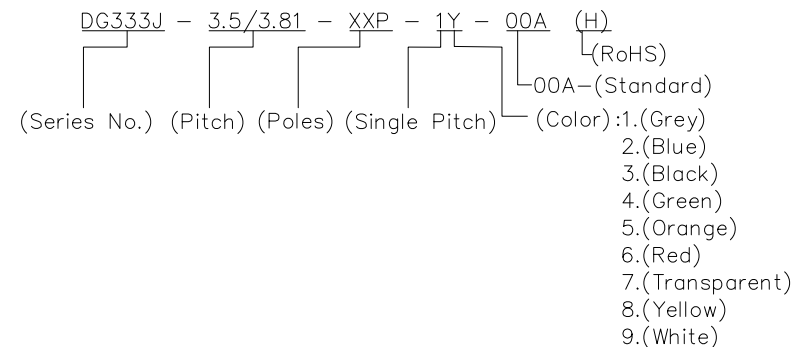
5.Undimensioned tolerances:

Pitch range in mm		Nominal dimension range in mm						□	∩	∩
TO	Over	Over	Over	Over	Over	Over	0.1/10			
6	10	10	30	60	100	150				
±0.15	±0.20	±0.30	±0.30	±0.50	±0.70	±1.00	±1.30	±2'		

6.RoHS Compliance



TOP VIEW-LAYOUT



DETACHED LISTS	PART NO.:	宁波高松电子有限公司 NINGBO DEGSON ELECTRICAL CO., LTD			
	APPD:	NAME: DG333J-3.5/3.81-XXP-1Y-00A(H)			
	CHKD:	TITLE: CUSTOMER DRAWING		REV	DO
	DRFT:	DRAWING NO.:		SHEET	1/1
THIRD ANGLE PROJECTION		MM (INCH)	DO NOT SCALE DRAWING	SCALE	1:1