



TK32

1/2" Disc Temperature Limiter

Operating Temperature Range (+30°C to +250°C)

This is a temperature sensitive device, which is intended to keep a temperature below one particular value during normal operating conditions, automatically switching off the electrical circuit. This device is not self-resetting and operates with manual reset option. It prevents overheating in variety of consumer, industrial and commercial products.

This temperature limiter is available only with contacts that open as the temperature increases. The contacts may be reset by manually pushing on the reset button after the device has cooled below the open temperature calibration.

Besides its variety of standard configurations this limiter can also be customized to the specific technical needs of the customer, assuring maximum design flexibility and usage in broad range of temperature control applications.

Contact Type: Normally Closed

BASIC TECHNICAL DATA FOR TK32 (30 °C – 170 °C)

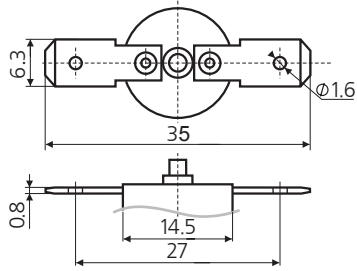
Parameter	Value
Rated voltage, V, not more	~250
Rated current, A, at power coeff. 0,95, not more	16
Rated current, A, at power coeff. 0,6, not more	10
Number of automatic cycles, at rated current 16 A and power coeff. 0,95, not less than	10 000
Operating temperature, °C	30 to 170
Tolerance of temperature limiter operating temperature, %, but not less than °C	± 3
Transient resistance, Ω, not more	0,01; 0,05
Contact operating time, ms, not more	3
Electric strength of insulation, V, not less than	1500
Insulation resistance, MΩ, not less than	50
Heating speed, K/min	minimum-0,1; maximum-1,0
Degrees of protection provided by enclosure	IP4X; IP64

BASIC TECHNICAL DATA FOR TK32 (170 °C – 250 °C)

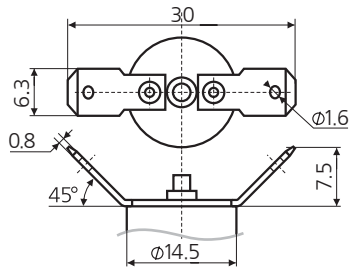
Parameter	Value
Rated voltage, V, not more	~250
Rated current, A, at power coeff. 0,95, not more	16
Rated current, A, at power coeff. 0,6, not more	10
Number of automatic cycles, at rated current 16 A and power coeff. 0,95, not less than	10 000
Operating temperature, °C	170 to 250
Tolerance of operating temperature, %	± 3; ± 6
Transient resistance, Ω, not more	0,05
Contact operating time, ms, not more	3
Electric strength of insulation, V, not less than	1500
Insulation resistance, MΩ, not less than	50
Heating speed, K/min	minimum-0,1; maximum-1,0
Degrees of protection provided by enclosure	IP4X; IP64

Table 1.1 (TERMINALS)

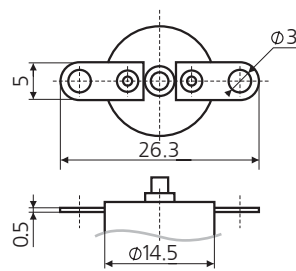
T 01



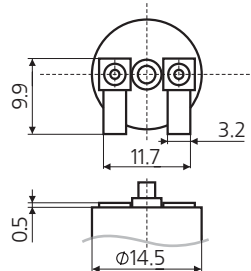
T 03



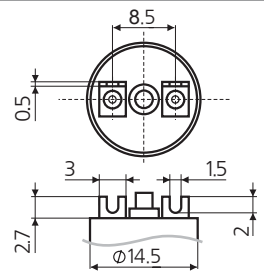
T 05



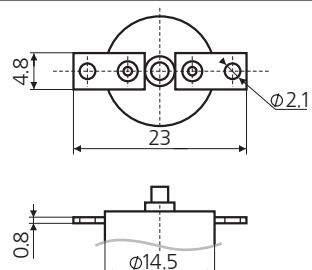
T 07



T 09

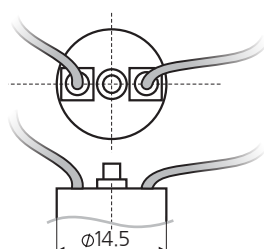


T 11



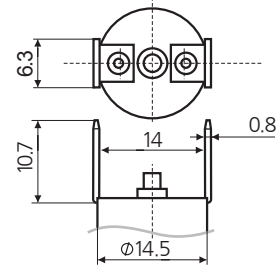
T 13

Wire standard length: 150 mm

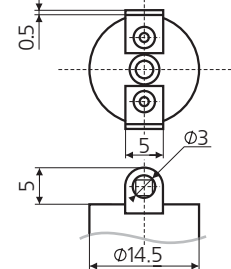


Wire information to be specified on the order form (type; cross-section; lengths; stripping)

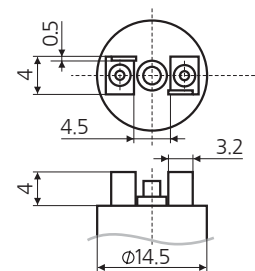
T 02



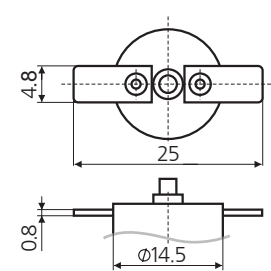
T 04



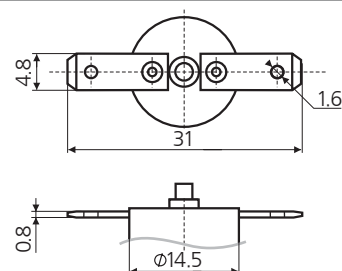
T 06



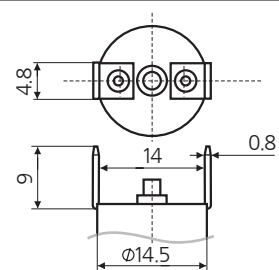
T 08



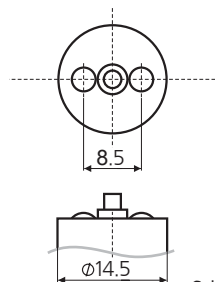
T 10



T 12



T 14

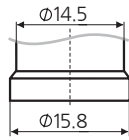


Soldering balls

Table 1.2 (MOUNTING)

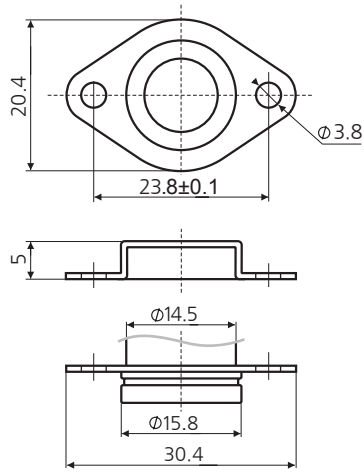
MG 00

NO MOUNTING



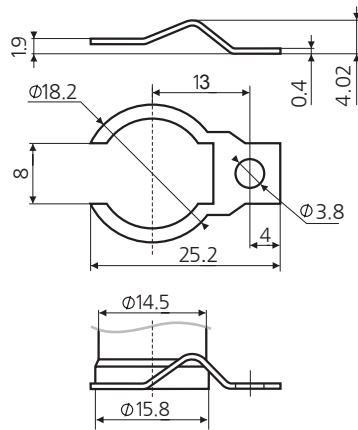
MG 02

CAP-FLANGE



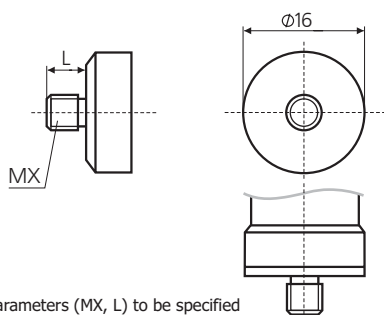
MG 04

CLIP WITH ONE FIXING HOLE



MG 06

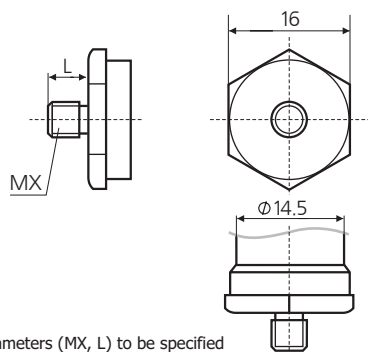
SCREW CAP ROUND



Screw parameters (MX, L) to be specified on the order form

MG 08

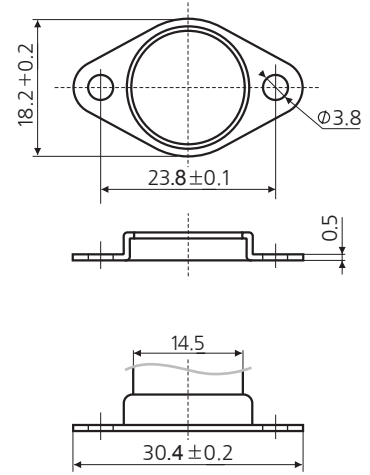
SCREW CAP HEXAHEDRAL 16



Screw parameters (MX, L) to be specified on the order form

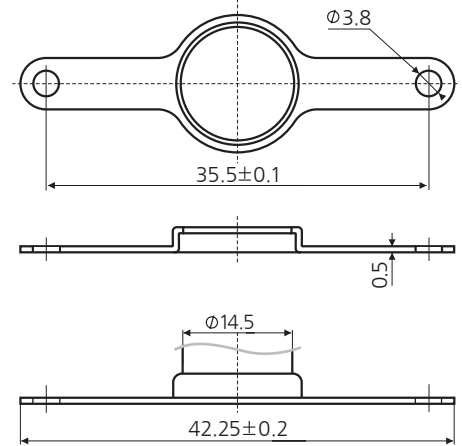
MG 01

ROTATION OR FIXED CLIP



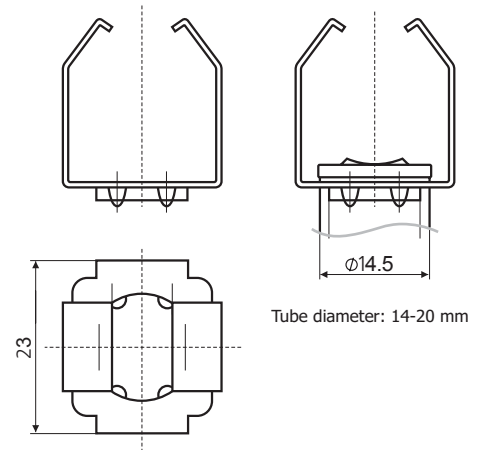
MG 03

ROTATION CLIP



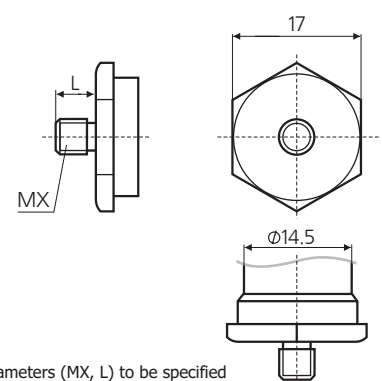
MG 05

TUBE MOUNTING



MG 07

SCREW CAP HEXAHEDRAL 17



Screw parameters (MX, L) to be specified on the order form

Table 1.3 (BODY and/or CASE)

B1P	PLASTIC BODY 	B1PR	 Protection cap with rubber button
B1C	CERAMIC BODY 	B1CR	 Protection cap with rubber button
B2P	PLASTIC BODY 	B2PR	 Protection cap with rubber button
B2C	CERAMIC BODY 	B2CR	 Protection cap with rubber button
B3C	CERAMIC BODY 	B3CR	 Protection cap with rubber button
		B4S SILICONE CASING	 Only with cables Protection degree IP64

PART ORDERING SYSTEM

TK32	TX*	MGX**	BXX	X±X***
1	2	3	4	5
1	Temperature limiter model			
2	Terminals version (select from Table 1.1)			
3	Mounting version (select from Table 1.2)			
4	Body version (select from Table 1.3)			
5	Operating temperature value in °C and tolerance in ± %***			

Example: TK32-T01-MG04-B2C-60±3%

*For wire terminals, lead wire parameters must be specified when placing an order: insulation type, cross-section area; ends type; length; etc.

**For screw cap mountings, screw parameters must be specified when placing an order.

***Tolerance in % or °C, whichever numerical value is bigger.



Address: "Thermorex" SAS, 18, rue Pasquier, 75008 Paris, France
tel.: +31(0) 61 55 22 880, e-mail: info@thermorex.fr, marketing@thermorex.fr

Manufacturing plant: "Thermorex" CJSC, 24/41 Fuchik str., 0048, Yerevan, Armenia
tel.: +37410 39 58 84, 37410 34 93 51, fax: +37410 34 98 86, e-mail: info@thermorex.org, marketing@thermorex.org

www.thermorex.org

