

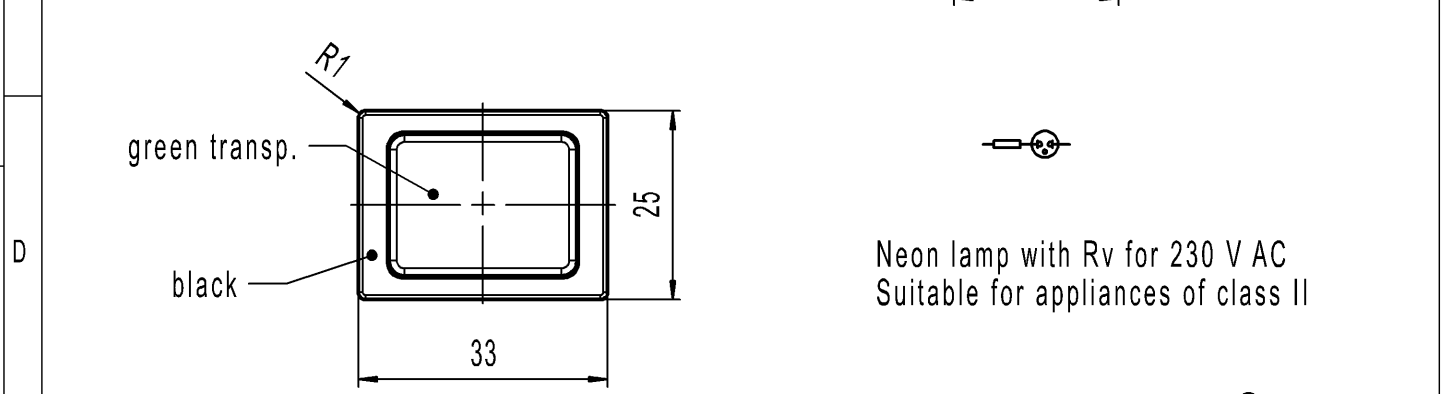
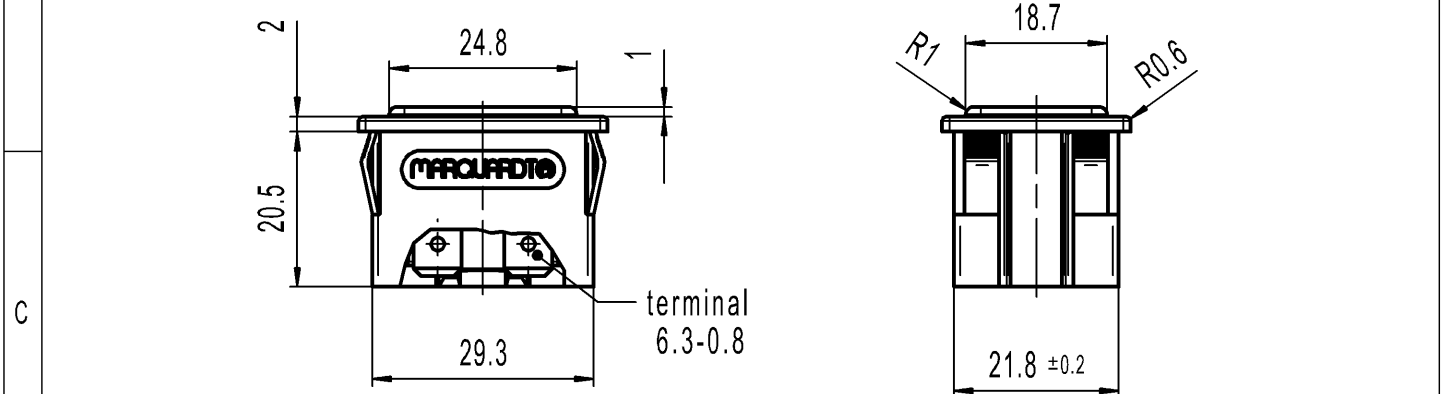
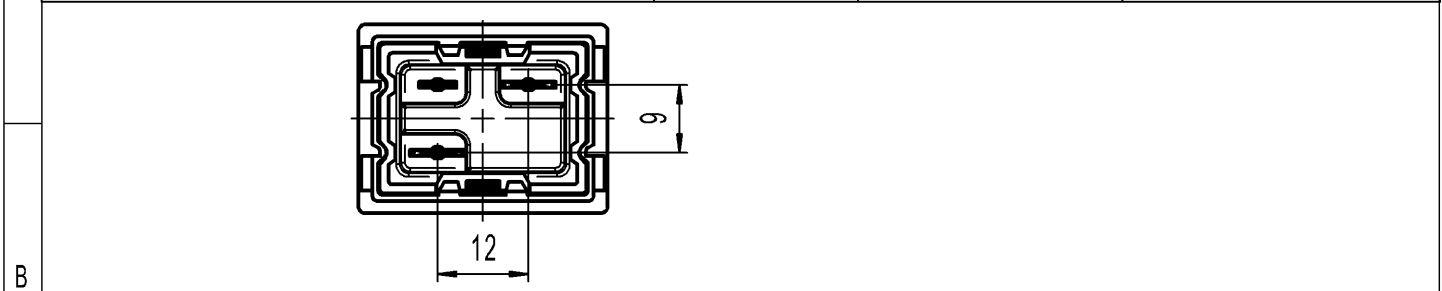
THIS DRAWING IS THE EXCLUSIVE PROPERTY OF MARQUARDT. WITHOUT THEIR CONSENT IT MAY NOT BE REPRODUCED OR GIVEN TO THIRD PARTIES.

CONFIDENTIAL

VERTRAULICH

Alle Rechte bei Marquardt, auch fuer den Fall von Schutzrechtsanmeldungen. Jede Verfuugungsbefugnis, wie Kopier- und Weitergaberecht, bei uns.

A	recommended cut-out for snap-in fixing (edge opposite to snap-in direction)	1	2	3	4	
		0.75 to 1	>1 to 1.5	>1.5 to 3	length of cut-out	width of cut-out
		0.75 to 1	>1 to 1.5	>1.5 to 3	30 +0.1	22.2 +0.2



Marking
MARQUARDT[®]
 1667.
 230V~ T85°C

Code of manufacture: place/year/week

Neon lamp with Rv for 230 V AC
 Suitable for appliances of class II

-	-	-	1667.0102-XX
Figure	Type	Customer Part No.	Art.No.-PI
Shape and location	Angle ± 2°	Sheet 01	Ident. K
	Edge tolerance	Format DIN A4	Document number 16670102
	Length	Projection	Index e
	Radii	Scale 1:1	Pilot Light
All dimensions are in millimetres		System NX V1872	
e	137245	2021-04-30	JOSHIO
d	32547	2002-06-07	SIG
c	22752	1994-05-04	PA
Index	MEC-No.	Date (YYYY-MM-DD)	Edited by
Replacement of		Zg.gl.Nr.v.07.06.2002	