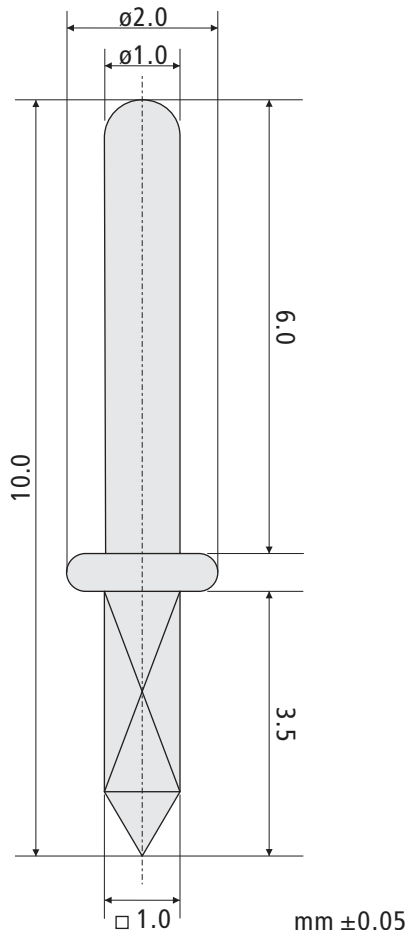
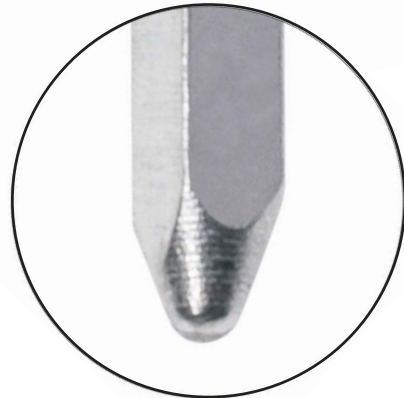


Solder Contact Pin
1.0 x 10 mm, 100pcs pack



Specification

Material: Brass CuZn37
Solder Pin Shape: Square
Solder pin length: 3.5mm
Total length: 10mm
Solder pin: 1 x 1 mm