



Strain Relief Hoods for Modular Plug

Technical Features

Bend relief for 8P8C modular plugs

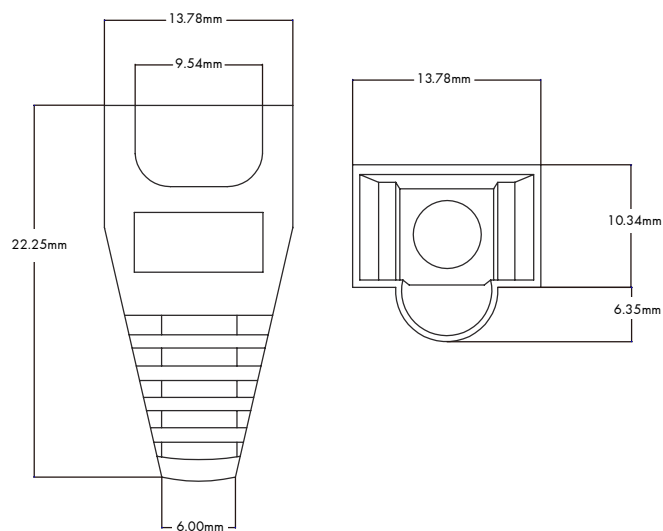
Suitable with shielded and unshielded plugs

Cable diameter: ≤ 5.8 mm

Operation temperature: $-10^{\circ}\text{C}\sim 150^{\circ}\text{C}$

Material: PVC

Technical Drawings



| Part-No. | Color | EAN Code |
|----------|--------|---------------|
| MP0005 | Grey | 4052792003857 |
| MP0006 | Black | 4052792003864 |
| MP0007 | Green | 4052792003871 |
| MP0008 | Blue | 4052792003888 |
| MP0009 | Yellow | 4052792003895 |
| MP0010 | Red | 4052792003901 |

Package Contents

Strain Relief Hoods x 100

Packaging Informations

| | |
|-------------------|-------------------|
| Packing Dimension | 180 x 220mm |
| Packing Weight | 0.18kg |
| Carton Dimension | 420 x 370 x 220mm |
| Carton Q'ty | 50pcs |
| Carton Weight | 10kg |



Made in China

www.logilink.com



RoHS
compliant

* The specifications and pictures are subject to change without notice.
*All trade names referenced are the registered namework of their respective owners.