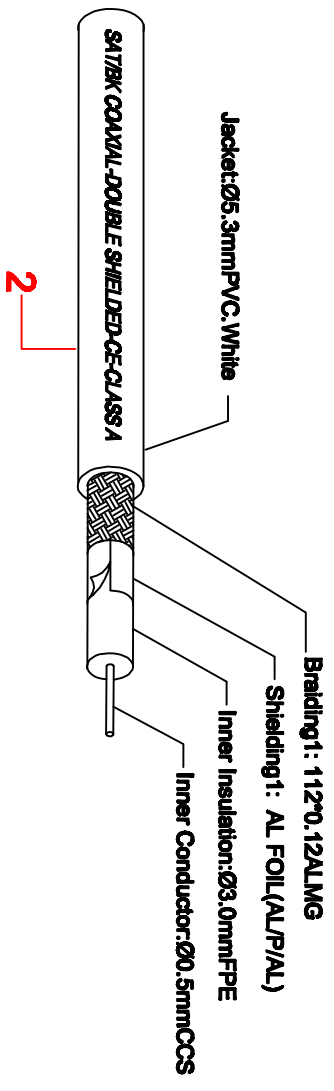


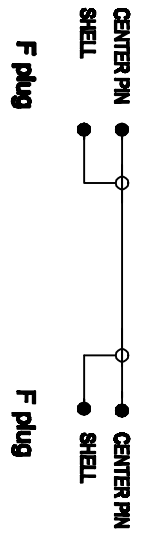
# Construction



No	Item	Length	Packaging
60722	BKF 0030	0.3m	1/10/200/400
60724	BKF 0050	0.5m	1/10/150/300
50737	BKF 0150	1.5m	1/10/80/160
50738	BKF 0250	2.5m	1/10/80/120
50754	BKF 0350	3.5m	1/10/40/80
50739	BKF 0500	5.0m	1/10/30/60
50740	BKF 0750	7.5m	1/5/20/40
50741	BKF 1000	10	1/5/20/40

# Wiring Method

1. dimensions As shown
2. Insulation resistance  $\geq 100$  up to 500V=
3. dielectric strength  
2 KV 50Hz 2 sec.
4. TESTING: 100% OPEN AND SHORT AND MISWIRE TEST.
5. 100% RoHS COMPLIANT.



4	Copper coil	φ4.5mm H:3mm	2PCS		
3	MOULDED	PVC ASP White	2*10g		
2	CABLE	φ5.3 RG59 COAXIAL CABLE White(According to the chart)	L		
1	CONNECTORS	F Plug (Nickel plating 100% Shaded )	2xk		
NO	Item Name	SPEC	QTY		
Edition	WEC000	Scale			
Designed by	ming hong	Item Name	F PLUG TO F PLUG COAXIAL CABLE		
Checked by		Item NO	<b>BKF series cable</b>		
Approved by		Unit:	MM		
Date	11.28.2013				