

# KSC Series Sealed Tact Switch for SMT

## Features/Benefits

- Positive tactile feeling
- J or G terminations
- Various heights
- IP67

## Typical Applications

- Automotive
- Cellular phones
- Industrial electronics
- Network infrastructure and IT
- Elevator



## Specification

FUNCTION: Momentary action  
 CONTACT ARRANGEMENT: 1 make contact = SPST, N.O.  
 TERMINALS: J bend & Gullwing type for SMT  
 SEALING: IP67 except KSC5 (IP50)

## Liability Limitation

This datasheet does not provide enough information for applications that require a certain level of quality or safety such as automotive, medical systems, or safety equipment. Please contact customer service for the contractual specification package.

## Environmental

	Silver	Gold
OPERATING TEMPERATURE:	-40°C to 85°C	-40°C to 125°C
STORAGE TEMPERATURE:	-55°C to 85°C	-55°C to 125°C

## Process

- SOLDERING: Depending on the application, this component is suited to the following methods:
- Terminals being silver or gold plated over a nickel barrier, the use of slightly activated flux is suitable.
  - Soldering on double wave machine for vertical versions: soldering time ≤ 5 sec.
  - Cleaning according to typical washing processes.
  - Infrared Reflow Soldering in accordance with IEC 61760-1.

## Electrical

	Silver	Gold
MAXIMUM POWER:	1 VA	0.2 VA
MAXIMUM VOLTAGE:	32 VDC	32 VDC
MINIMUM VOLTAGE:	20 mV	20 mV
MAXIMUM CURRENT:	50 mA	10 mA
MINIMUM CURRENT:	1 mA*	0.1 mA

DIELECTRIC STRENGTH (50 Hz, 1 min.): ≥ 250 Vrms  
 CONTACT RESISTANCE: ≤ 100mΩ  
 INSULATION RESISTANCE (100 V): ≥ 10M Ω  
 BOUNCE TIME: ≤ 1 ms

\* Ultra low current with 10 µA - 1 VDC version are available upon request for KSC2 and KSC4

## Packaging

Tape and Reel (see series for quantity information)

**NOTE:** Specifications listed above are for switches with standard options.

## KSC Product Range

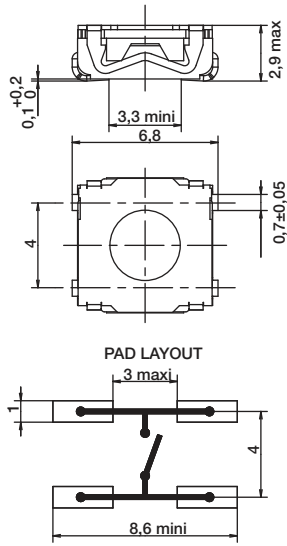
KSC1	KSC2	KSC3	KSC4	KSC5	KSC6	KSC7	KSC8	KSC9	KSC10
Without actuator	Soft actuator	Hard actuator	Soft actuator	Hard actuator	Hard actuator	Soft actuator	Hard actuator	Hard actuator	Soft actuator
H = 2.5 mm	H = 3.5 mm	H = 3.5 mm	H = 5.2 mm	H = 5.6 mm	H = 7.7 mm	H = 4.3 mm	H = 4.9 mm	H = 7.7 mm compatible with button	H = 4.9 mm
IP67	IP67	IP67	IP67	IP50	IP67	IP67	IP67	IP67	IP67



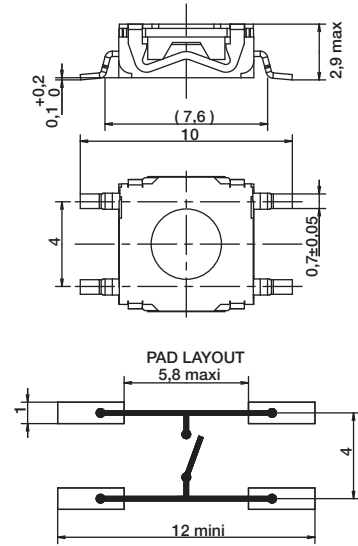
Note: KSC Series is subject to variants. Please contact customer service for other options.

# KSC Series Sealed Tact Switch for SMT

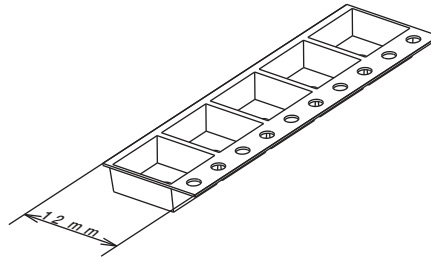
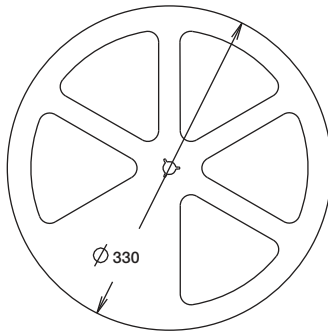
## J BEND



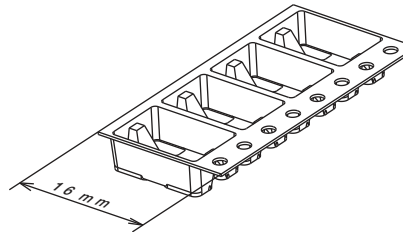
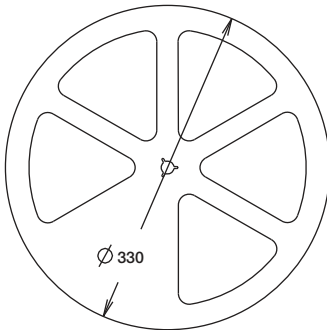
## G GULLWING



### 12 MM



### 16 MM



12 mm	Pieces	16 mm	Pieces
KSC1J	2,000	KSC1G	2,000
KSC2J	2,000	KSC2G	2,000
KSC3J	2,000	KSC3G	2,000
		KSC4J & G	1,000
		KSC5J & G	1,000
		KSC6J & G	750
		KSC7J & G	1,000
		KSC8J & G	1,000
		KSC9J & G	750
		KSC10J & G	1,000



First Angle  
Projection

Dimensions are shown: mm  
Specifications and dimensions subject to change

# KSC1 Series Sealed Tact Switch for SMT

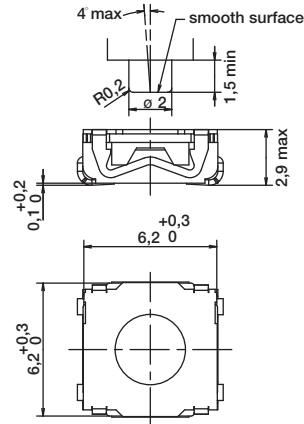
## KSC1 without actuator 2,5 mm high



Type	Operating force FA (Newtons)	Operating life (operations)	Travel (mm)
KSC121	1.8 ± 0.65	200,000	0.3 ± 0.15
KSC141	3 ± 0.75	200,000	0.3 ± 0.15
KSC151	5.5 ± 1.4	100,000	0.35 ± 0.15

### Packaging

Switches delivered on continuous tape & reels of 2,000 pieces  
 Dimensions according to EIA RS-481/ IEC 60286-3 standard  
 External diameter 330 ± 2 mm



B

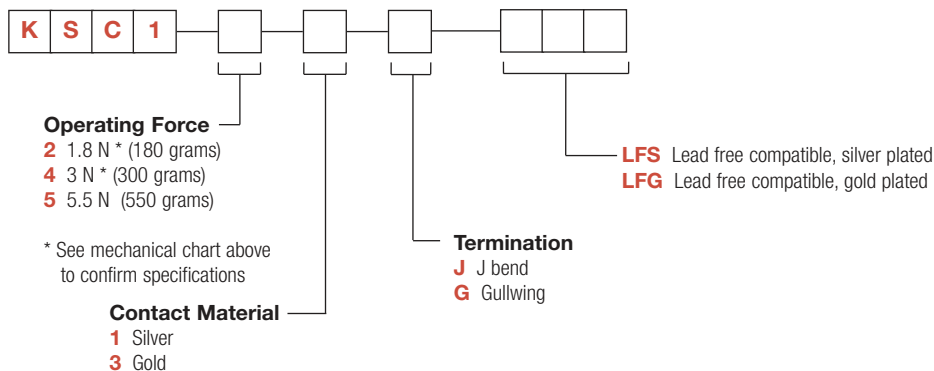
Tactile Switches

### How To Order

Our easy build-a-switch concept allows you to mix and match options to create the switch you need. To order, select desired option from each category and place it in the appropriate box.

**However, please note that all the combinations of these options are not feasible.**

**For any part number different from those listed above, please consult your local representative.**



Dimensions are shown: mm  
 Specifications and dimensions subject to change

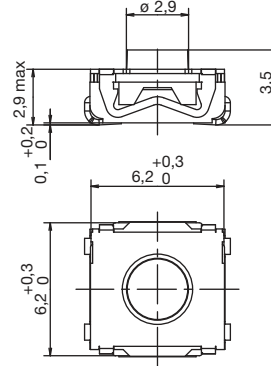
# KSC2 Series Sealed Tact Switch for SMT

KSC2 soft actuator 3,5 mm high



Tactile Switches

Type	Operating force FA (Newtons)	Operating life (operations)	Travel (mm)
KSC201	1.6 ± 0.6	5,000,000	0.3 ± 0.2
KSC221	2 ± 0.5	500,000	0.35 + 0.3/- 0.1
KSC222	2 ± 0.5	1,000,000	0.35 ± 0.15
KSC241	3.5 ± 0.9	300,000	0.5 ± 0.2
KSC251	5.55 ± 1.45	300,000	0.5 ± 0.2
KSC231 SPD	3.5 ± 0.9	300,000	0.5 ± 0.2
KSC241 SPD	3.55 ± 0.9	300,000	0.5 ± 0.2
KSC251 SPD	6.2 ± 1.55	100,000	0.6 ± 0.2



## Packaging

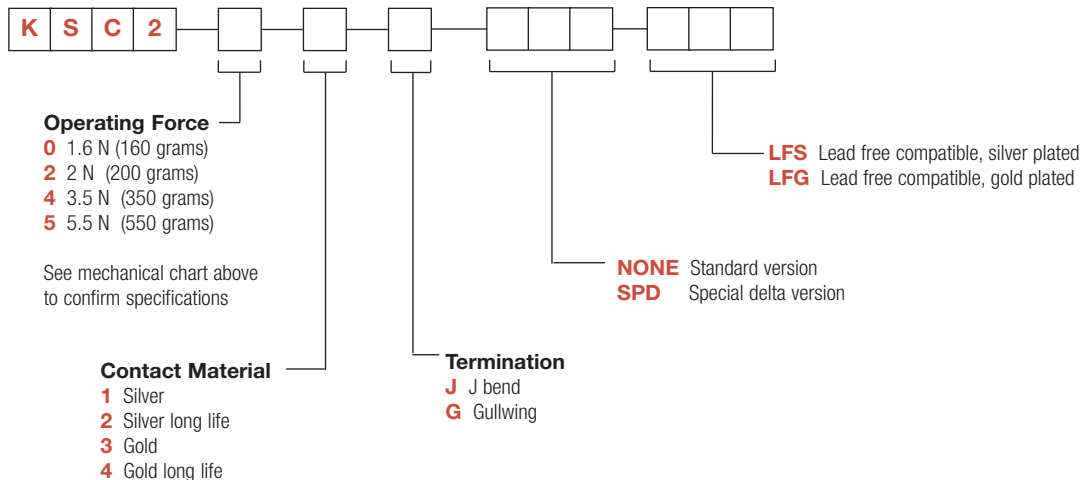
Switches delivered on continuous tape & reels of 2,000 pieces  
 Dimensions according to EIA RS-481/ IEC 60286-3 standard  
 External diameter 330 ± 2 mm

## How To Order

Our easy build-a-switch concept allows you to mix and match options to create the switch you need. To order, select desired option from each category and place it in the appropriate box.

**However, please note that all the combinations of these options are not feasible.**

**For any part number different from those listed above, please consult your local representative.**



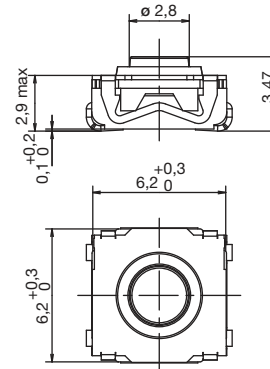
Dimensions are shown: mm  
 Specifications and dimensions subject to change

# KSC3 Series Sealed Tact Switch for SMT

## KSC3 hard actuator 3,5 mm high



Type	Operating force FA (Newtons)	Operating life (operations)	Travel (mm)
KSC321	2 ± 0.4	300,000	0.2 + 0.3/- 0
KSC341	3 ± 0.75	300,000	0.2 + 0.3/- 0
KSC351	5 ± 1	100,000	0.25 + 0.3/- 0



## Packaging

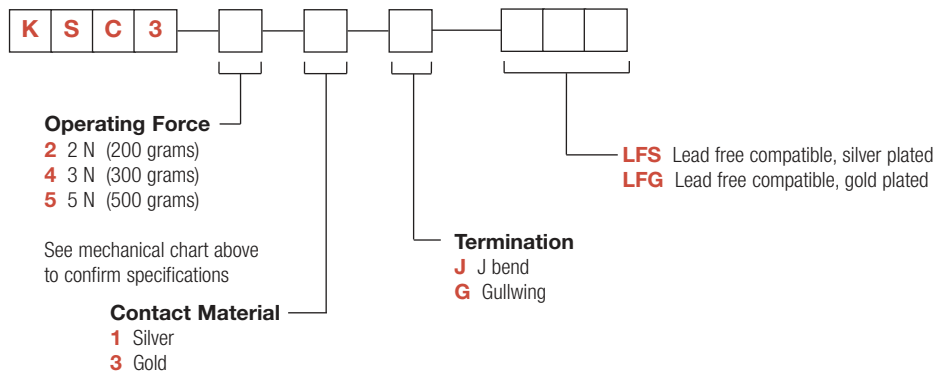
Switches delivered on continuous tape & reels of 2,000 pieces  
 Dimensions according to EIA RS-481/ IEC 60286-3 standard  
 External diameter 330 ± 2 mm

## How To Order

Our easy build-a-switch concept allows you to mix and match options to create the switch you need. To order, select desired option from each category and place it in the appropriate box.

**However, please note that all the combinations of these options are not feasible.**

**For any part number different from those listed above, please consult your local representative.**



# KSC4 Series

## Sealed Tact Switch for SMT

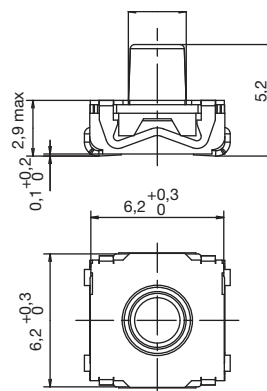
KSC4 soft actuator 5,2 mm high



B

Tactile Switches

Type	Operating force FA (Newtons)	Operating life (operations)	Travel (mm)
KSC401 50SH	1.45 ± 0.55	5,000,000	0.5 ± 0.25
KSC411 70SH	1.4 ± 0.35	1,000,000	0.35 ± 0.20
KSC421 70SH	1.7 ± 0.45	300,000	0.5 ± 0.25
KSC422 70SH	1.7 ± 0.45	1,000,000	0.5 ± 0.25
KSC441 70SH	4 ± 1	300,000	0.75 ± 0.25
KSC442 70SH	4 ± 1	1,000,000	0.75 ± 0.25
KSC451 70SH	4.25 ± 0.75	300,000	0.8 ± 0.2
KSC441 SPD	3.5 ± 0.9	300,000	0.7 ± 0.2
KSC441 ST1	3.4 ± 1	300,000	0.7 ± 0.25
KSC441 ST2	3.4 ± 1	300,000	0.35 ± 0.20
KSC461 ST1	6.25 ± 1.75	100,000	1 ± 0.3
KSC461 ST2	6.25 ± 1.75	300,000	0.5 ± 0.2



### Packaging

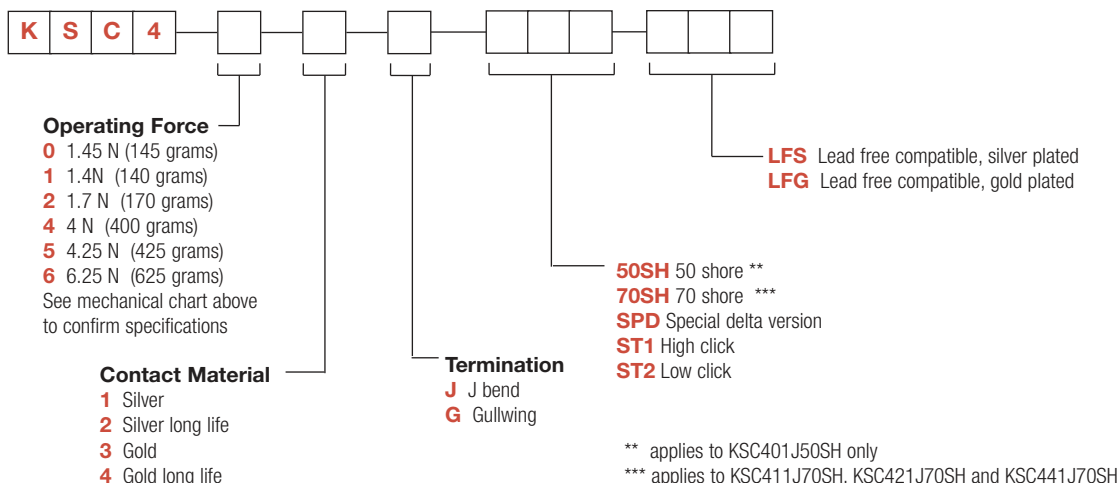
Switches delivered on continuous tape & reels of 1,000 pieces  
 Dimensions according to EIA RS-481/ IEC 60286-3 standard  
 External diameter 330 ± 2 mm

### How To Order

Our easy build-a-switch concept allows you to mix and match options to create the switch you need. To order, select desired option from each category and place it in the appropriate box.

However, please note that all the combinations of these options are not feasible.

For any part number different from those listed above, please consult your local representative.



Dimensions are shown: mm  
 Specifications and dimensions subject to change

# KSC5 Series Tact Switch with Rocker Option for SMT

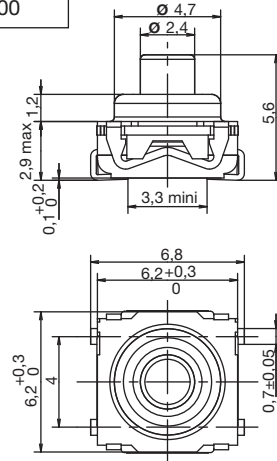
KSC5 hard actuator 5,6 mm high



Type	Operating force axial FA N (grams)	Operating force lateral FL N (grams) $\pm 30\%$	Travel to make axial (mm)	Travel to make lateral (mm)	Life expectancy cycles, axial	Life expectancy cycles, lateral
KSC521	2 $\pm$ 0.5	1.2 - 2.6	0.25 $\pm$ 0.15	0.5 $\pm$ 0.25	100,000	10,000
KSC541	3 $\pm$ 0.75	1.8 - 3.8	0.25 $\pm$ 0.15	0.5 $\pm$ 0.25	100,000	10,000

## Packaging

Switches delivered on continuous tape & reels of 1,000 pieces, dimensions according to EIA RS-481/ IEC 60286-3 standard  
External diameter 330  $\pm$  2 mm

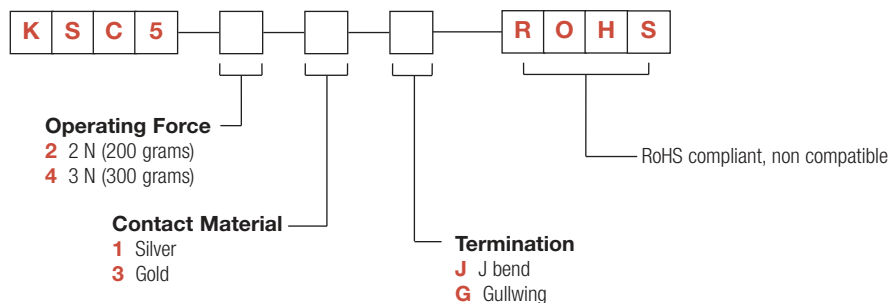


## How To Order

Our easy build-a-switch concept allows you to mix and match options to create the switch you need. To order, select desired option from each category and place it in the appropriate box.

However, please note that all the combinations of these options are not feasible.

For any part number different from those listed above, please consult your local representative.

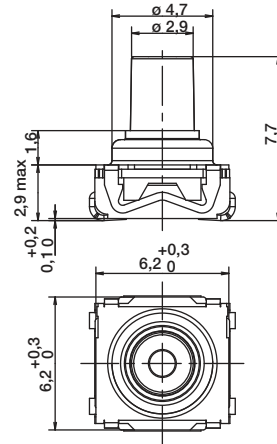


# KSC6 Series Sealed Tact Switch for SMT

KSC6 hard actuator 7,7 mm high



Type	Operating force FA (Newtons)	Operating life (operations)	Travel (mm)
KSC621	1.7 ± 0.5	300,000	0.4 ± 0.2
KSC631	2.55 ± 0.65	300,000	0.4 ± 0.2
KSC641	3.4 ± 0.85	300,000	0.4 ± 0.2



Tactile Switches

## Packaging

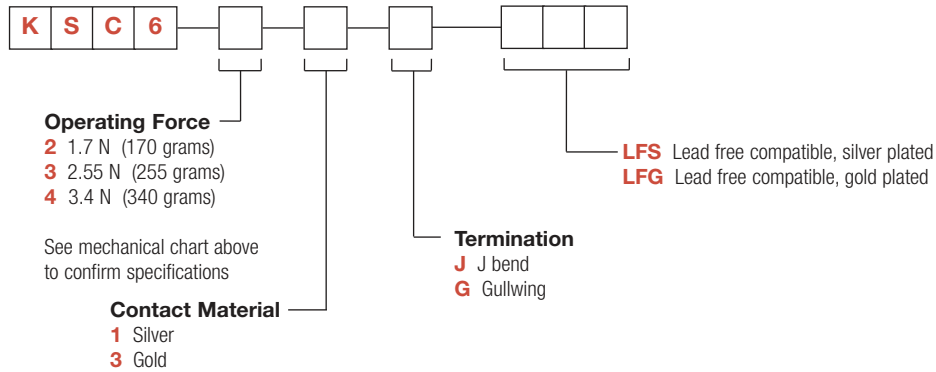
Switches delivered on continuous tape & reels of 750 pieces  
Dimensions according to EIA RS-481/ IEC 60286-3 standard  
External diameter 330 ± 2 mm

## How To Order

Our easy build-a-switch concept allows you to mix and match options to create the switch you need. To order, select desired option from each category and place it in the appropriate box.

**However, please note that all the combinations of these options are not feasible.**

**For any part number different from those listed above, please consult your local representative.**



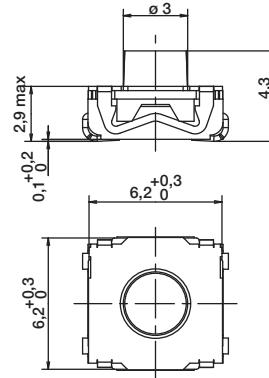


# KSC7 Series Tact Switch with Rocker Option for SMT

## KSC7 soft actuator 4,3 mm high



Type	Operating force FA (Newtons)	Operating life (operations)	Travel (mm)
KSC701	1.6 ± 0.6	5,000,000	0.3 ± 0.2
KSC721	2.25 ± 0.55	300,000	0.3 ± 0.15
KSC741	3.9 ± 1	300,000	0.4 ± 0.2



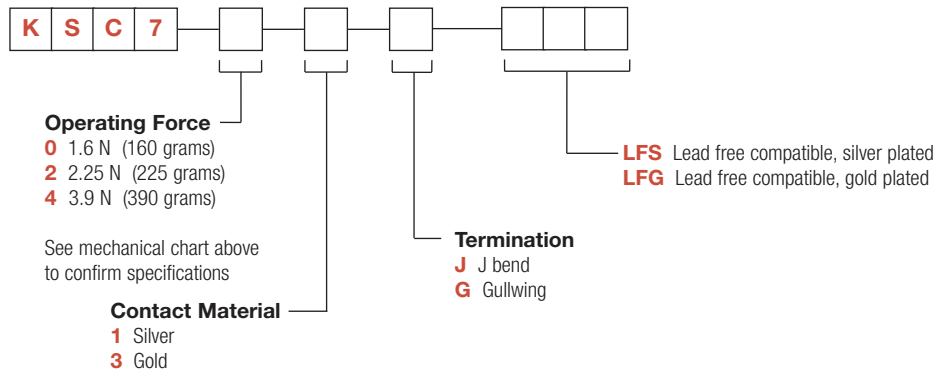
## Packaging

Switches delivered on continuous tape & reels of 1,000 pieces  
 Dimensions according to EIA RS-481/ IEC 60286-3 standard  
 External diameter 330 ± 2 mm

## How To Order

Our easy build-a-switch concept allows you to mix and match options to create the switch you need. To order, select desired option from each category and place it in the appropriate box.

**However, please note that all the combinations of these options are not feasible.  
 For any part number different from those listed above, please consult your local representative.**



# KSC8 Series

## Sealed Tact Switch for SMT

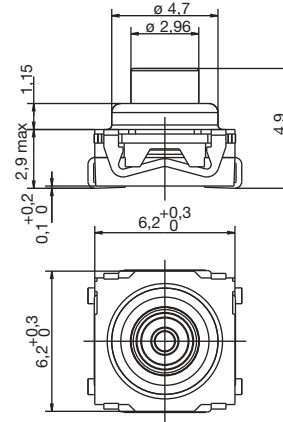
KSC8 hard actuator 4,9 mm high



Type	Operating force FA (Newtons)	Operating life (operations)	Travel (mm)
KSC821	3.15 ± 0.75	300,000	0.65 ± 0.2
KSC821 OL	1.7 ± 0.5	300,000	0.4 ± 0.2
KSC831 OL	2.55 ± 0.65	300,000	0.4 ± 0.2
KSC841 OL	3.4 ± 0.85	300,000	0.4 ± 0.2

### Packaging

Switches delivered on continuous tape & reels of 1,000 pieces  
 Dimensions according to EIA RS-481/ IEC 60286-3 standard  
 External diameter 330 ± 2 mm

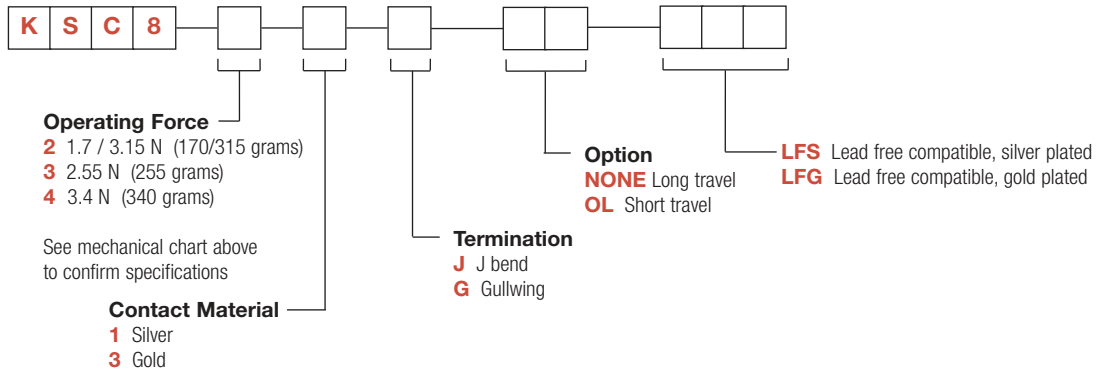


Tactile Switches

### How To Order

Our easy build-a-switch concept allows you to mix and match options to create the switch you need. To order, select desired option from each category and place it in the appropriate box.

However, please note that all the combinations of these options are not feasible.  
 For any part number different from those listed above, please consult your local representative.



Dimensions are shown: mm  
 Specifications and dimensions subject to change

# KSC9 Series Sealed Tact Switches for SMT

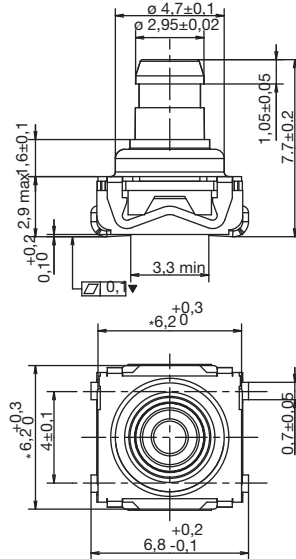
## KSC9 hard actuator 7,7 mm high



Type	Operating force FA (Newtons)	Operating life (operations)	Travel (mm)
KSC921	1.7 ± 0.5	300,000	0.4 ± 0.2
KSC931	2.25 ± 0.65	300,000	0.4 ± 0.2
KSC941	3.4 ± 0.85	300,000	0.4 ± 0.2

### Packaging

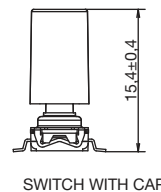
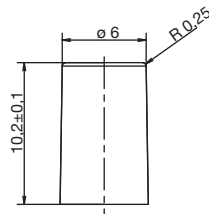
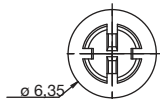
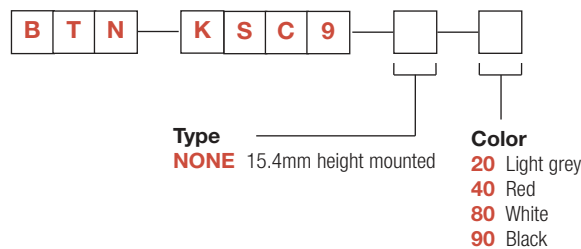
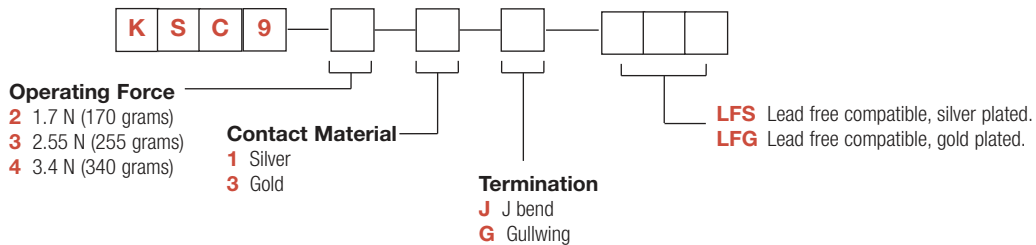
Switches delivered on continuous tape & reels of 750 pieces  
Dimensions according to EIA RS-481/ IEC 60286-3 standard  
External diameter 330 ± 2 mm



### How To Order

Our easy build-a-switch concept allows you to mix and match options to create the switch you need. To order, select desired option from each category and place it in the appropriate box.

**For any part number different from those listed above, please consult your local representative.**



Dimensions are shown: mm  
Specifications and dimensions subject to change

# KSC10 Series

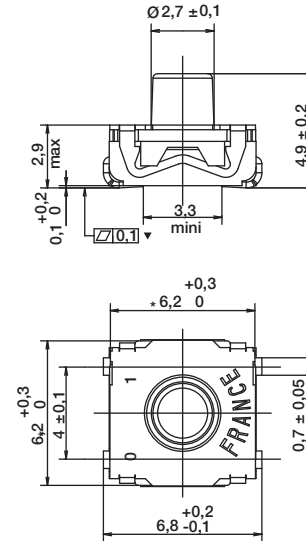
## Sealed Tact Switches for SMT

KSC10 soft actuator 4,9 mm high



Tactile Switches

Type	Operating force FA (Newtons)	Operating life (operations)	Travel (mm)
KSC1001	1.45 ± 0.55	5,000,000	0.45 ± 0.25



### Packaging

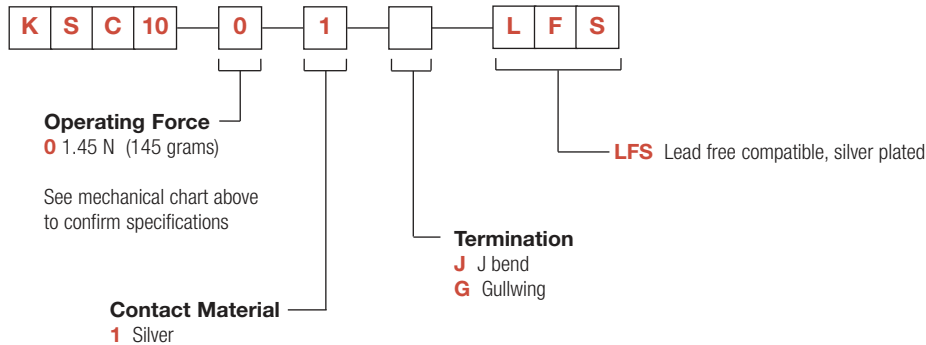
Switches delivered on continuous tape & reels of 1,000 pieces  
 Dimensions according to EIA RS-481/ IEC 60286-3 standard  
 External diameter 330 ± 2 mm

### How To Order

Our easy build-a-switch concept allows you to mix and match options to create the switch you need. To order, select desired option from each category and place it in the appropriate box.

**However, please note that all the combinations of these options are not feasible.**

**For any part number different from those listed above, please consult your local representative.**



Note: KSC10 offered with yellow actuator as standard, hardness 55 Shore



Dimensions are shown: mm  
 Specifications and dimensions subject to change



# KSC4V2 Series Side Actuated Sealed Tact Switch

## Features/Benefits

- Full SMD side actuated
- Haptic adaptability
- Pin in paste terminations
- Tape & reel
- IP67

## Typical Applications

- Automotive
- Industrial electronics
- Network equipment
- Telecommunications



## Specification

FUNCTION: momentary action  
 CONTACT ARRANGEMENT: 1 make contact = SPST, N.O.  
 TERMINALS:  
 2 pin in paste signal terminals  
 3 SMD ground terminals

## Mechanical

Type	Force (N)	Operating Life (operations)	Travel (mm)
KSC441V2SPDLFS	3.5 ± 1.0	300,000	0.7 ± 0.2
KSC421V270SHLFS	1.55 ± 0.45	300,000	0.5 ± 0.2

NOTE: Basic version is based on KSC441V2 SPDELTA LFS.  
 Other configurations of haptics are available upon demand.

MISUSE OVERLOAD: 40N with back support  
 SHEAR FORCE: 10N without back support

## Electrical

	Silver	Gold
MAXIMUM POWER:	1 VA	0.2 VA
MAXIMUM VOLTAGE:	32 VDC	32 VDC
MINIMUM VOLTAGE:	20 mV	20 mV
MAXIMUM CURRENT:	50 mA	10 mA
MINIMUM CURRENT:	1 mA	0.1 mA

DIELECTRIC STRENGTH (50 Hz, 1 min.): ≥ 250 Vrms  
 CONTACT RESISTANCE: ≤ 100 mΩ  
 INSULATION RESISTANCE (100 V, initial stage): > 10<sup>9</sup> Ω  
 BOUNCE TIME: < 1 ms

## Environmental

	Silver	Gold
OPERATING TEMPERATURE:	-40°C to 85°C	-40°C to 125°C
STORAGE TEMPERATURE:	-55°C to 85°C	-55°C to 125°C

## Process

SOLDERING: Depending on the application, this component is suited to the following methods:

- Cleaning according to typical washing processes.
- Infrared Reflow Soldering in accordance with IEC 61760-1.

TERMINALS: pin in paste, silver or gold plated

TOP PLATE: tin plated

MSL level: 1

Vacuum pick head mandatory

## Packaging

In reels of 500 pieces.

Dimensions of reels according to EIA RS481 or IEC 2863.

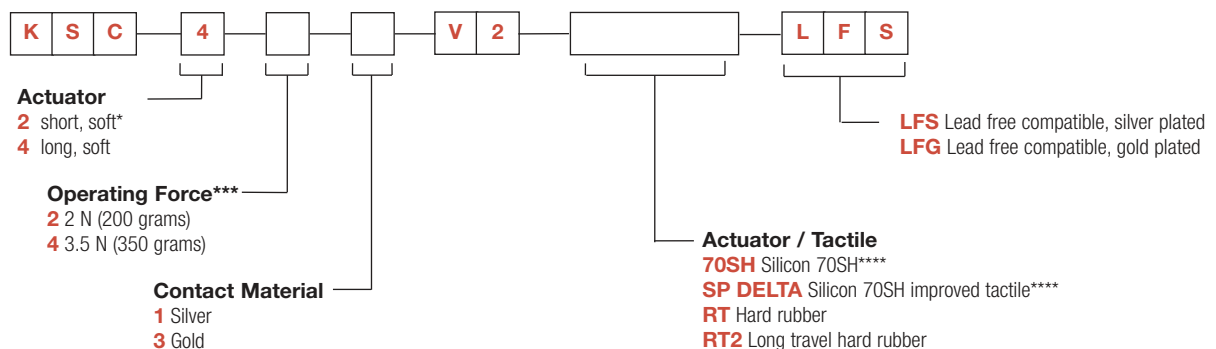
External diameter 330 mm ± 2 mm.

NOTE: This product is designed and manufactured for general electronic devices.  
 For systems where reliability and safety are required, please contact your sales representative to secure product integration and function to secure usage.

## How To Order

Our easy build-a-switch concept allows you to mix and match options to create the switch you need. To order, select desired option from each category and place it in the appropriate box.

**For any part number different from those listed above, please consult your local representative.**

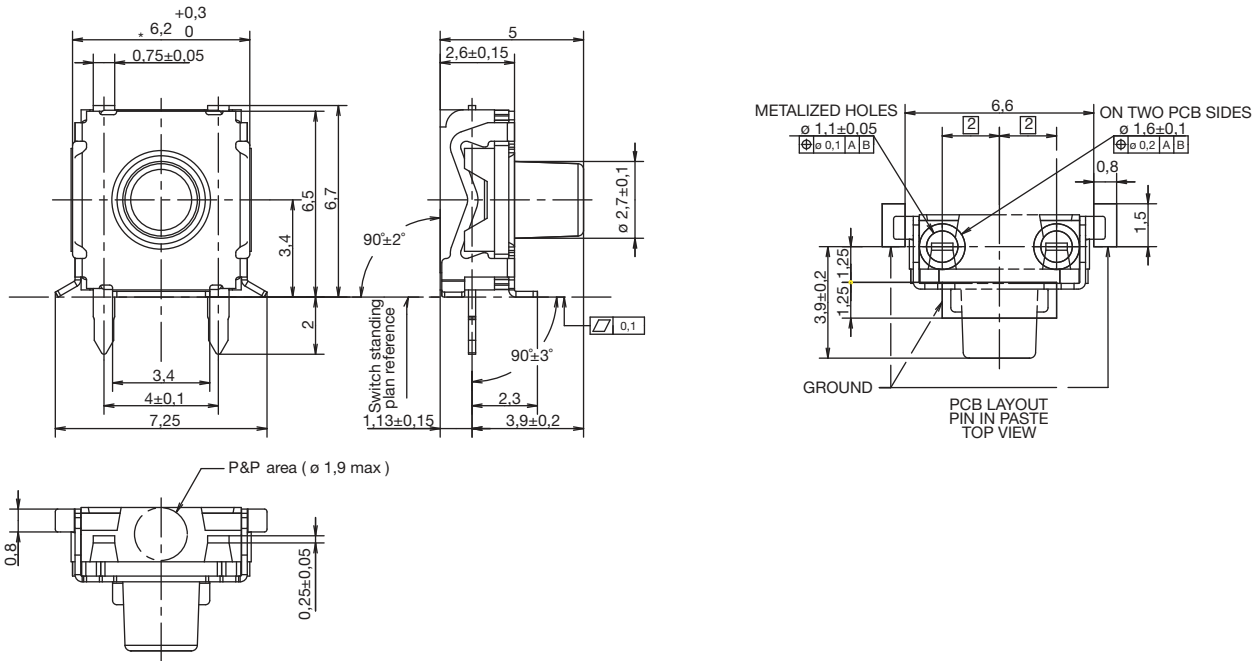


\* KSC2 version available upon demand  
 \*\*\* Force available upon demand (variant version)  
 \*\*\*\* Available for KSC4 only

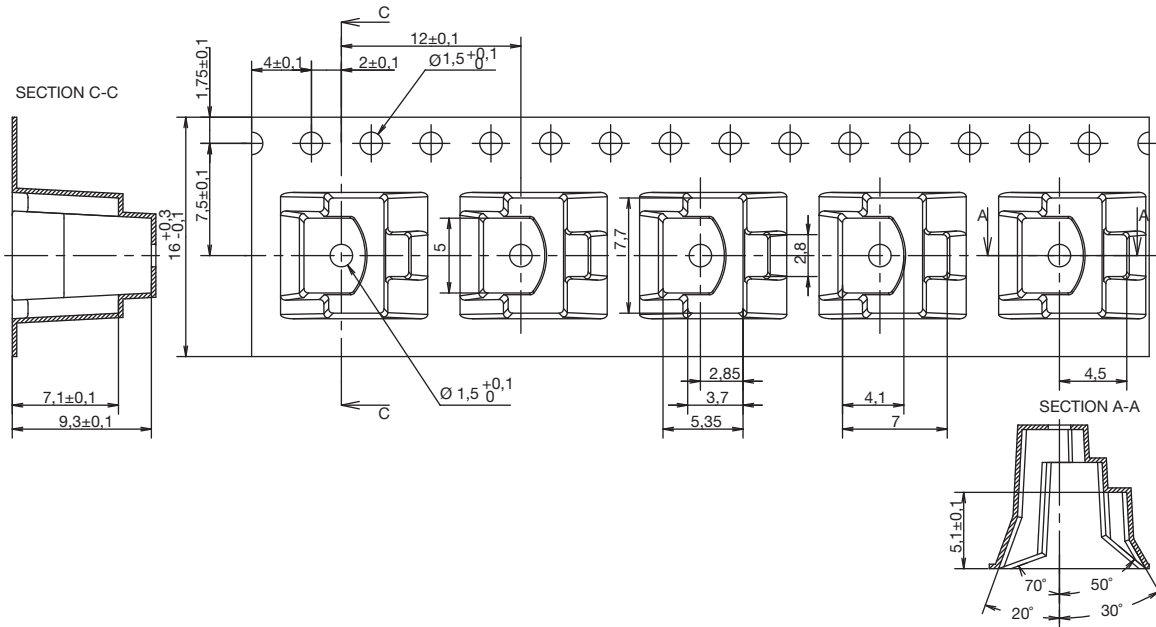
# KSC4V2 Series Side Actuated Sealed Tact Switch

Tactile Switches

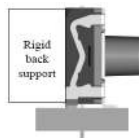
B



## TAPE AND REEL



## INTEGRATION



First Angle  
Projection

Dimensions are shown: mm  
Specifications and dimensions subject to change