

PC D 65 T



Sample image

Order symbol : PC D 65 T

Product nr : 8724007

UL Code : 8714007

UL Name : UL PC D 65 T

Description : Enclosure, PC

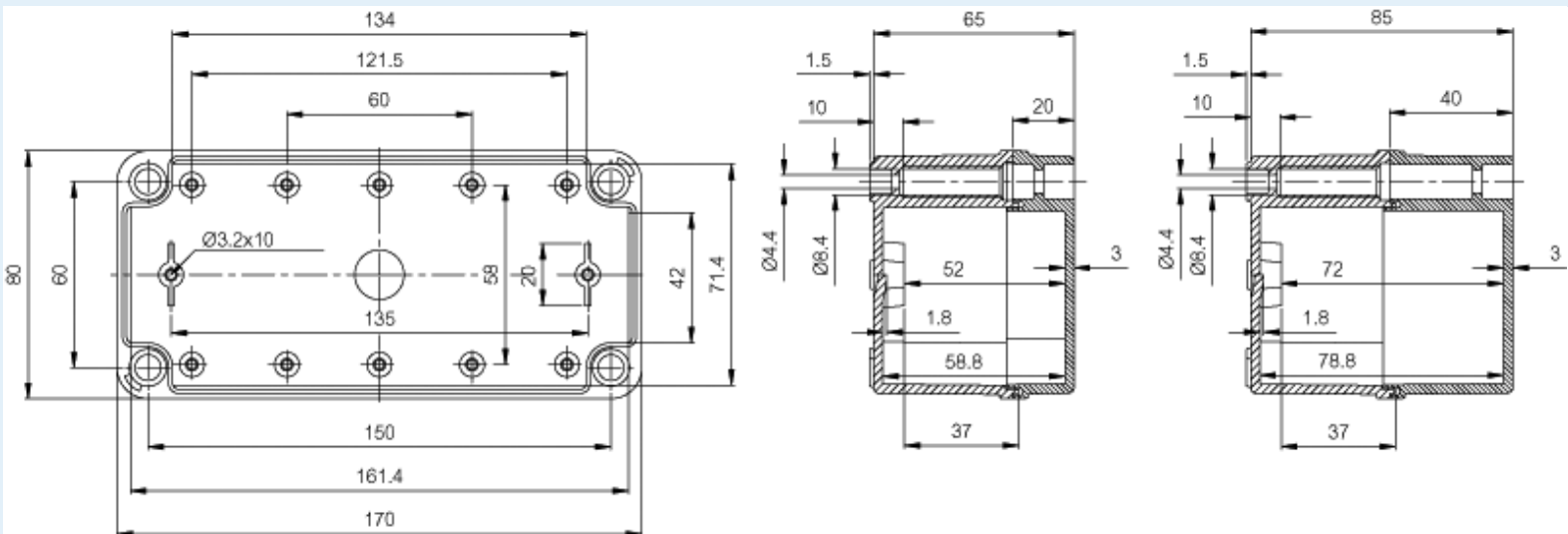
Remarks : Transparent cover

EAN : 6418074002105

El. number :

- Finland : 3423509
- Denmark : 8212001569
- Sweden : 2536844

Including : Base with screws for mounting plate/DIN-rail. cover with PUR gasket and polyamide cover screws.



Dimensions :	Height	Width	Depth
mm :	170	80	65
inch :	6.69	3.15	2.56

Materials :

Accessories :

- FP 22040 Wall fastening lug (2 pcs), for enclosures:
- DH-3 DIN-35 Mounting rail, for enclosures: (140 x 35 x 1)
- D-MP Mounting plate, for enclosures: (140 x 54 x 1)

Material :	Polycarbonate
Base colour :	RAL 7035 -light grey
Cover colour :	
Gasket material :	Polyurethane

Temperatures :

Temperature °C (short term) :	-40 ... 120
Temperature °C (continuous) :	
Temperature °F (short term) :	-40 ... 250
Temperature °F (continuous) :	-40 ... 175

Rating :

Ingress protection (EN 60529):	IP66; IP67;
Impact Resistance (EN 62262):	IK08;
Electrical insulation :	Totally insulated
Halogen free (DIN/VDE 0472, Part 815):	1
UV resistance :	UL 508
Flammability Rating :	UL 746C 5"
Glow Wire Test (IEC 695-2-1) °C :	960 °C
NEMA Class	

Certificates :

SGSFIMKO_PICC_pc