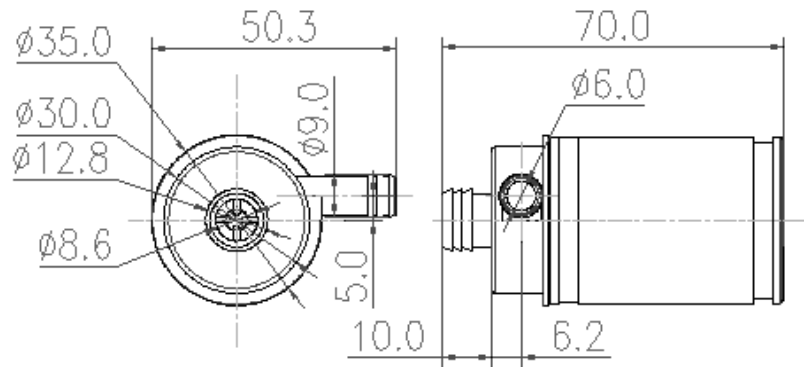


# Miniatur-Wasserpumpe WP-3203



⊙ Technical Parameter								
Working Voltage Range		DC: 6V-24V						
Rating Power		6V: 2-6W / 12V: 3-6W / 24V: 4-7W						
Static Water Head		1.0-2.5 M						
Static Flow Rate		2.5-4 L/min						
Lifespan		Continuous operation under normal surrounding >20000Hr						
Working Environment		Liquid: From weak acid to weak base, workable both on land and in water (Submersible)						
Max Noise		Under normal working status, 1M distance over test instrument <35dB						
Max Working Temperature		Under normal surroundings, fluid medium temperature ≤70°C						
Application		Computer water circulation cooling, small fountain, aquarium, etc.						
Size			IP Grade	Inlet		Outlet		Remarks
Length ( mm )	Width ( mm )	Height (mm)		OD ( mm )	ID ( mm )	OD ( mm )	ID ( mm )	
50	35	70	IP68	φ12	φ8.6	φ9	φ6	Inlet and outlet with non-slip insert

## ⊙ Characteristic Graph

