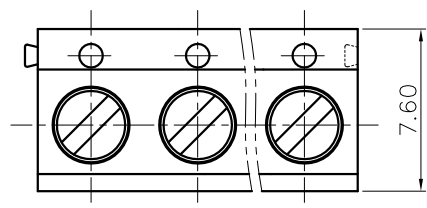


REVISION RECORD				
REV	ECN	DESCRIPTION	DRFT	DATE

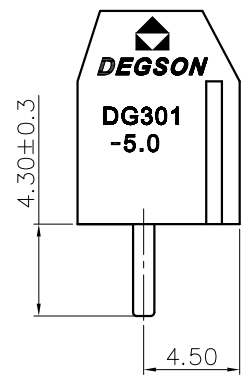
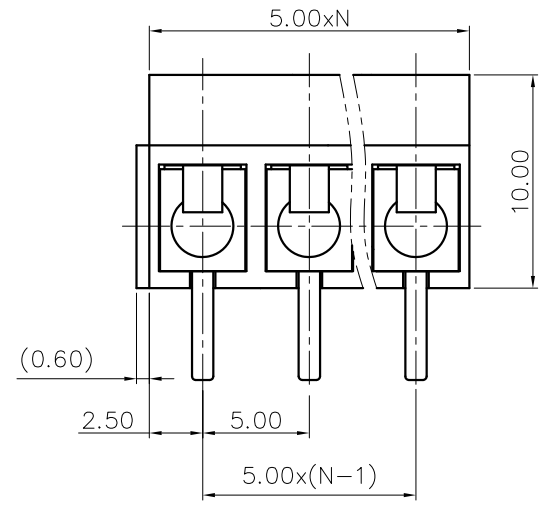
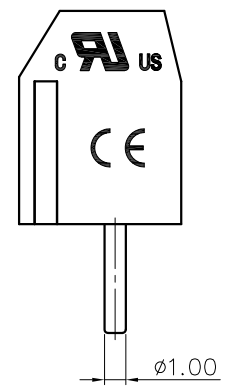


NOTES1:  
 UL Standard  
 1. Rated Voltage/Current : 300V / 15A  
 2. Torque Value : M2.5 , 2.60Lb.in  
 3. Wire Range : 22~14AWG  
 IEC Standard  
 1. Rated Voltage/Current : 250V / 17.5A  
 2. Torque Value : M2.5 , 0.29N.m  
 3. Wire Range : 0.75~1.5mm<sup>2</sup>

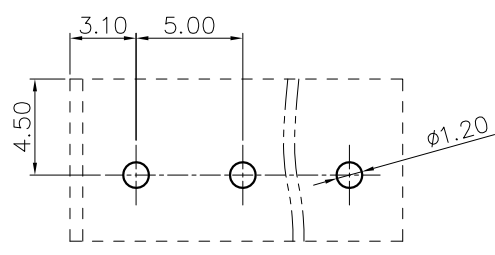
NOTES2:  
 1. Dimension shall be interpreted per ASME Y14.5-2009  
 2. Pitch : 5.0mm, Poles : N=02~24P  
 3. Stripping length : 5~6mm  
 4. Withstanding Voltage : AC2000V/1Min.  
 5. Operating temperature: -30°C~+120°C  
 6. Undimensioned Tolerances:

Pitch Range In mm		Nominal Dimension Range In mm				∩	∇
TO	Over TO	TO	Over TO	Over TO	Over TO	0.1/10	<
6	10	30	60	100	150		
6	24	30	60	100	150		
						±0.15	±2*
		±0.20	±0.30	±0.50	±0.70	±1.00	±1.30

7. RoHS Compliance



DG301 - 5.0 - XXP - 1Y - 00A (H)  
 (Series No.) (Pitch) (Poles) (Single Pitch) (Color): 1.(Grey)  
 2.(Blue)  
 3.(Black)  
 4.(Green)  
 5.(Orange)  
 6.(Red)  
 7.(Transparent)  
 8.(Yellow)  
 9.(White)



PCB LAYOUT

DETACHED LISTS	PART NO.:	NINGBO DEGSON ELECTRICAL CO., LTD			
	APPD:	NAME: DG301-5.0-XXP-1Y-00A(H)			
	CHKD:	TITLE: CUSTOMER DRAWING		REV	DO
	DRFT:	DRAWING NO.:		SHEET	1/1
THIRD ANGLE PROJECTION		MM (INCH)	DO NOT SCALE DRAWING	SCALE	1:1