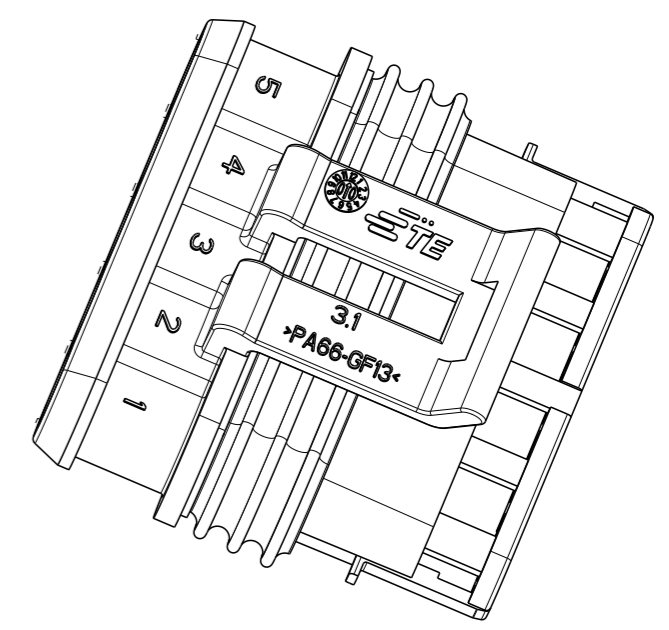
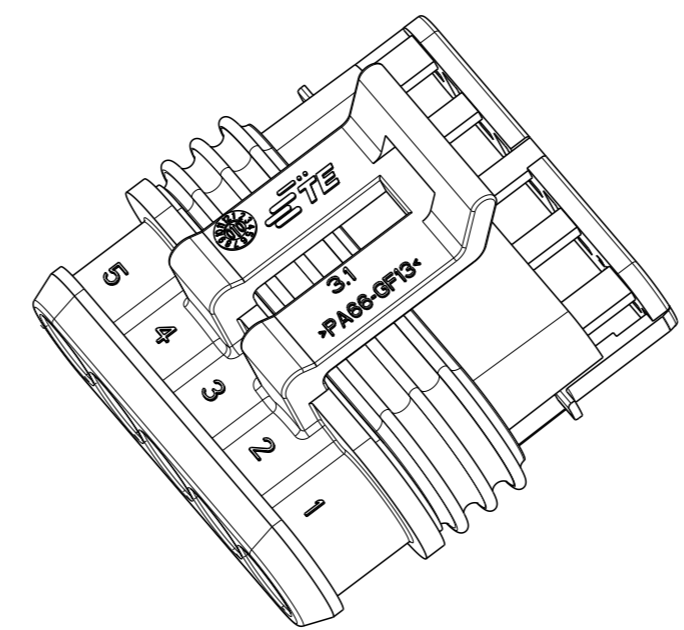
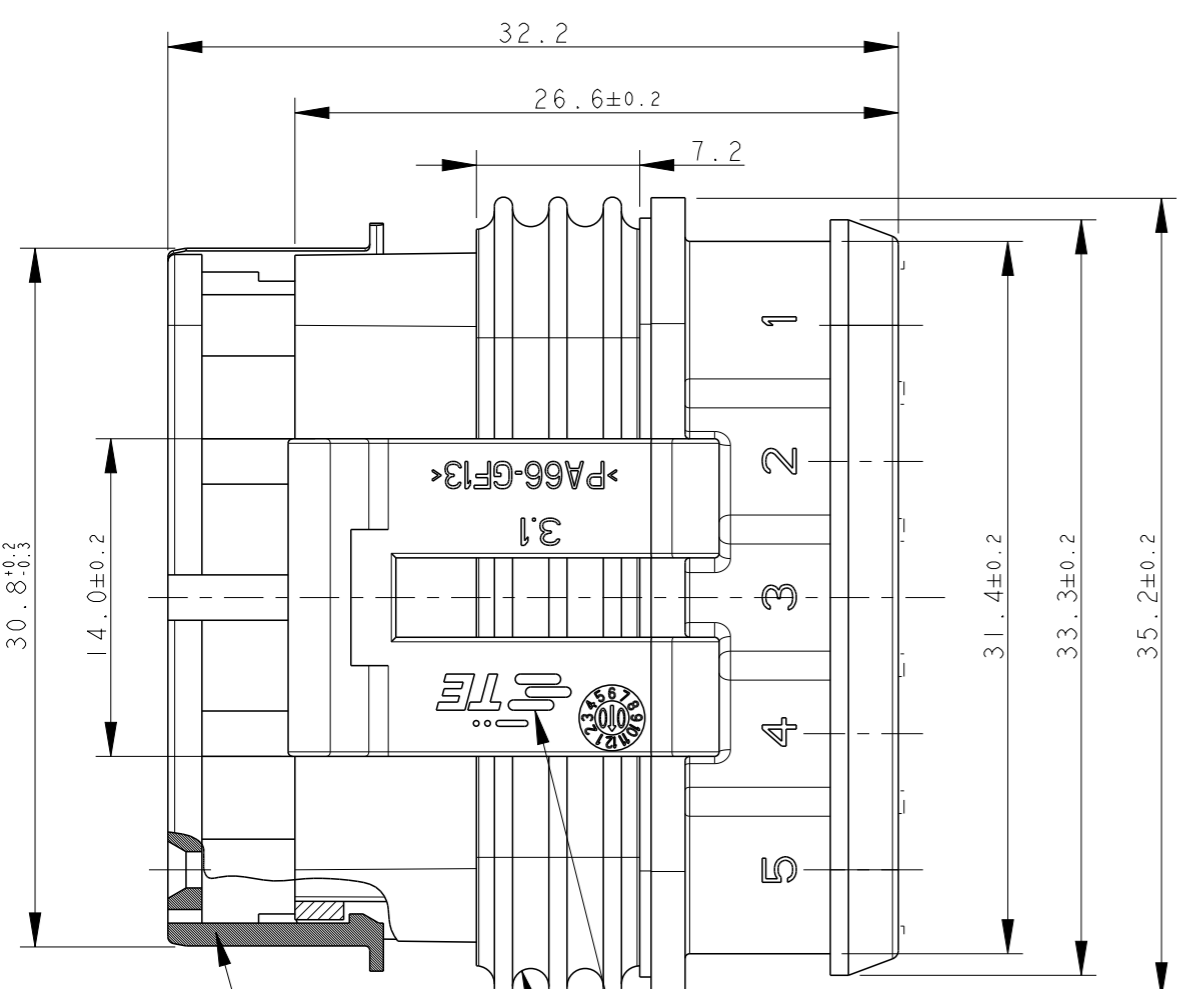
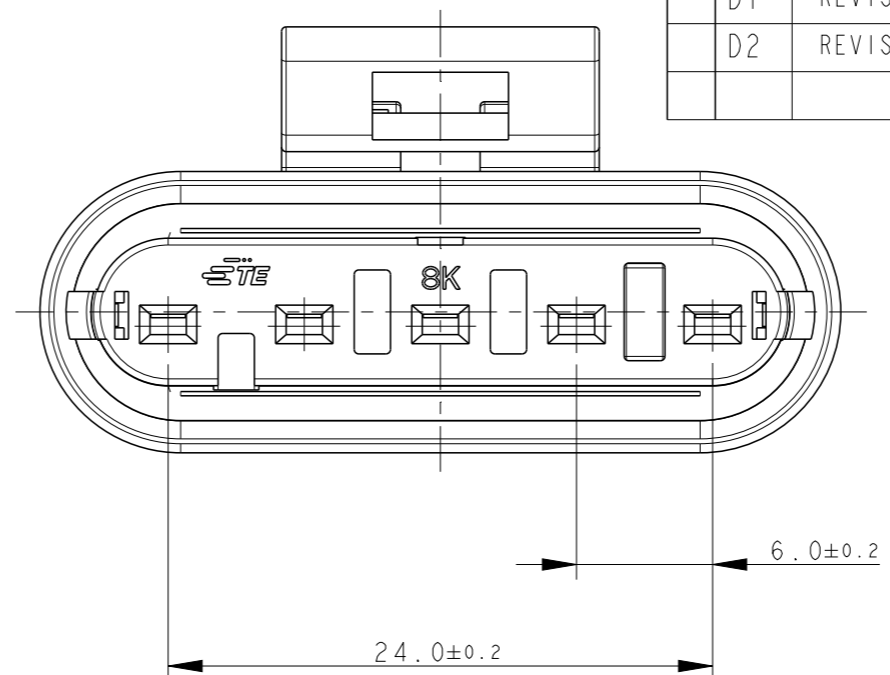
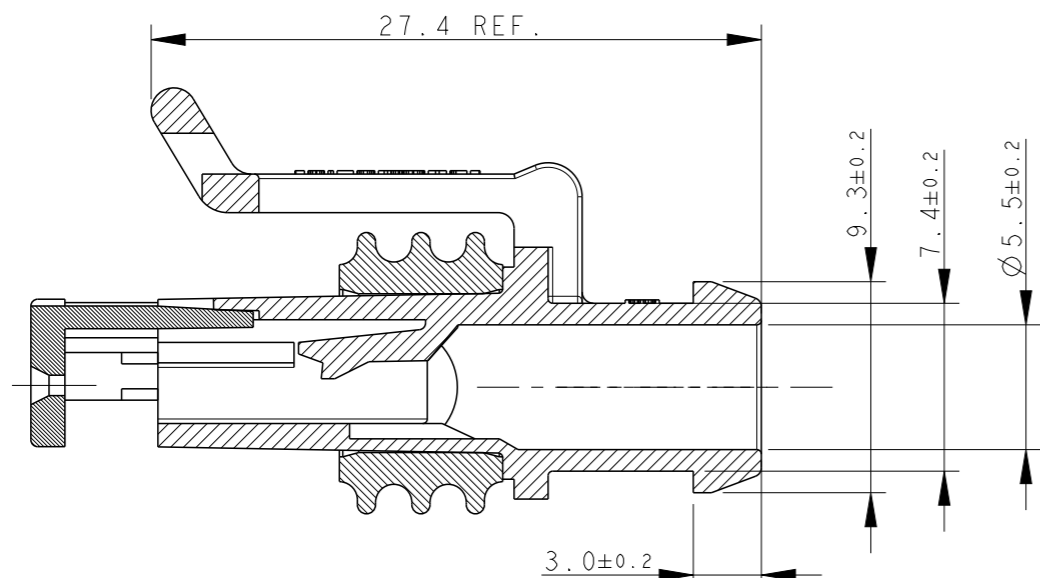


THIS DRAWING IS UNPUBLISHED. RELEASED FOR PUBLICATION 2011  
© COPYRIGHT 2011 BY - ALL RIGHTS RESERVED.

REVISIONS

| P | LTR | DESCRIPTION               | DATE      | DWN  | APVD |
|---|-----|---------------------------|-----------|------|------|
|   | D   | ECR-14-009314             | 24MAR2015 | M.P. | M.G. |
|   | D1  | REVISED (ECR-15-014031)   | 25SEP2015 | M.G. | M.G. |
|   | D2  | REVISED PER ECO-17-001706 | 10FEB2017 | C.A. | M.G. |



1) FOR COUNTERPART DETAILS, SEE SHEET 2 OF 2

| FINISH/COLOR | MATERIAL                                  | PART NUMBER |
|--------------|---|-------------|
| GRAY         | HOUSING+SEC.LOCK: PA66-GF<br>SEALING: LSR | 282089-2    |
| BLACK        | HOUSING+SEC.LOCK: PA66-GF<br>SEALING: LSR | 282089-1    |

TE CONNECTIVITY TRADE MARK, (IN ALTERNATIVE: "AMP" LOGO, OR "Tyco Electronics" LOGO)

SEALING (COLOUR YELLOW)

PRE-ASSEMBLED SECONDARY LOCK (COLOUR RED)

THIS DRAWING IS A CONTROLLED DOCUMENT.

|                |  |
|----------------|--|
| DIMENSIONS: mm | TOLERANCES UNLESS OTHERWISE SPECIFIED:                               |
|                | 0 PLC ±<br>1 PLC ±0.3<br>2 PLC ±<br>3 PLC ±<br>4 PLC ±<br>ANGLES ±2° |
| MATERIAL       | FINISH   |
| SEE TABLE      | SEE TABLE  |

|                  |            |         |
|------------------|------------|---------|
| DWN              | C. BERTINI | 05-1992 |
| CHK              | A. BRUNI   | 05-1992 |
| APVD             | -          | -       |
| PRODUCT SPEC     | 108-20090  |         |
| APPLICATION SPEC | 412-20000  |         |
| WEIGHT           | 5.45gr     |         |

**STE** TE Connectivity

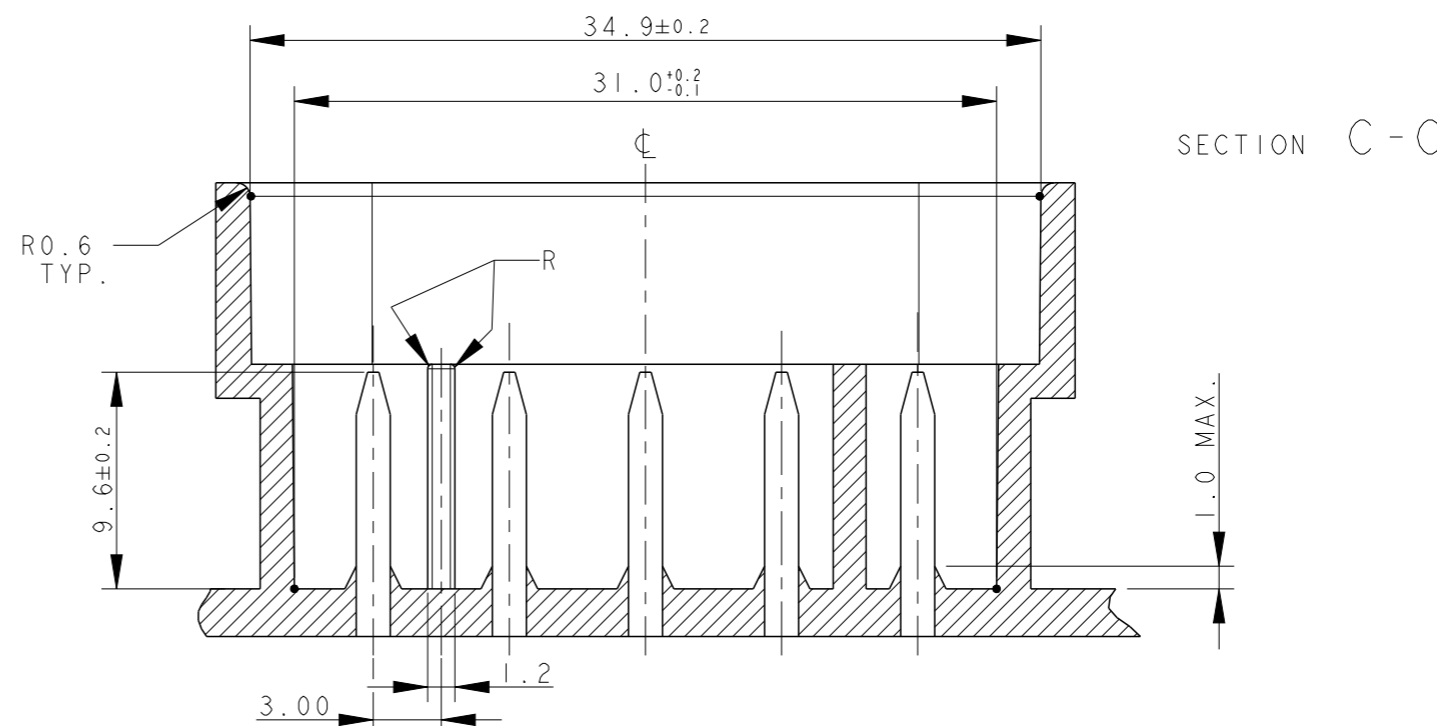
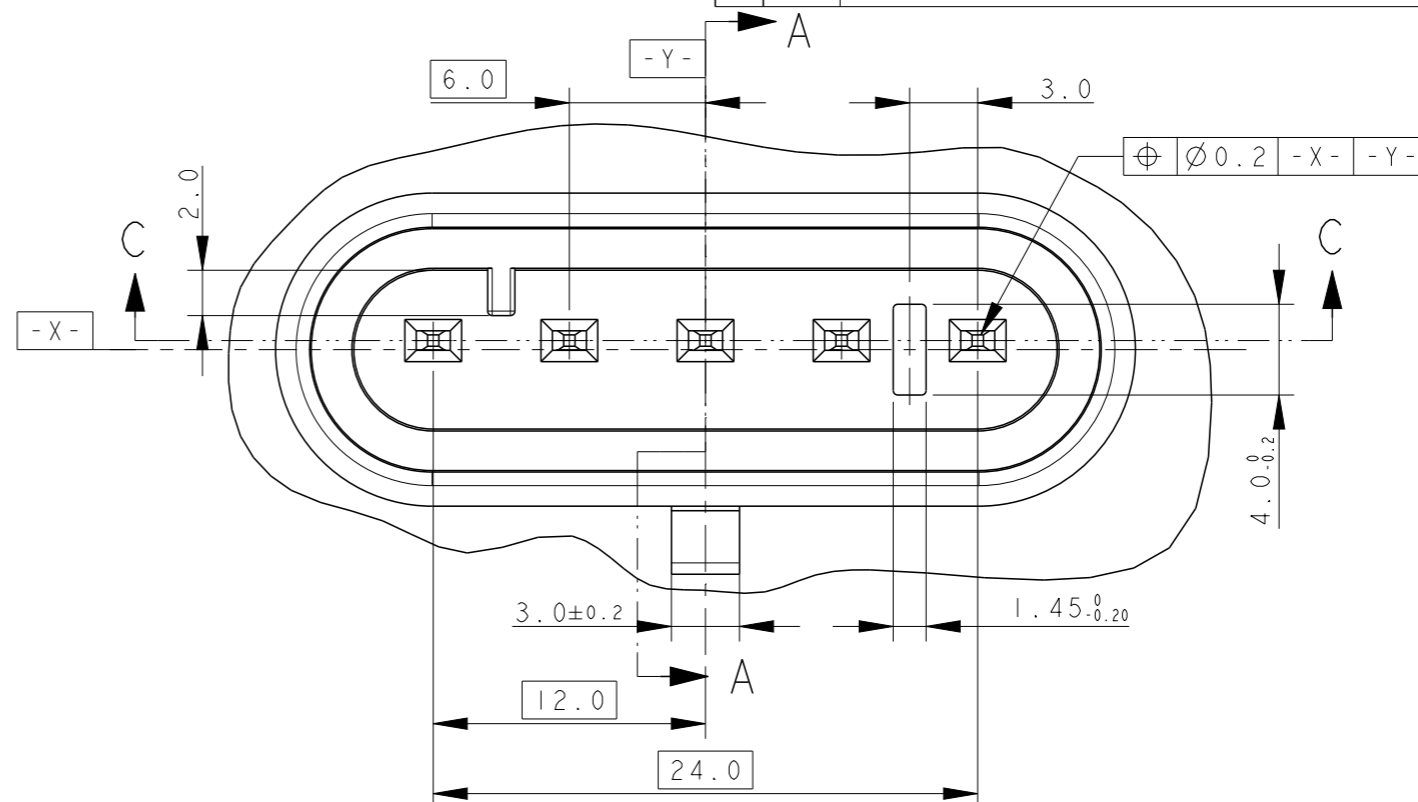
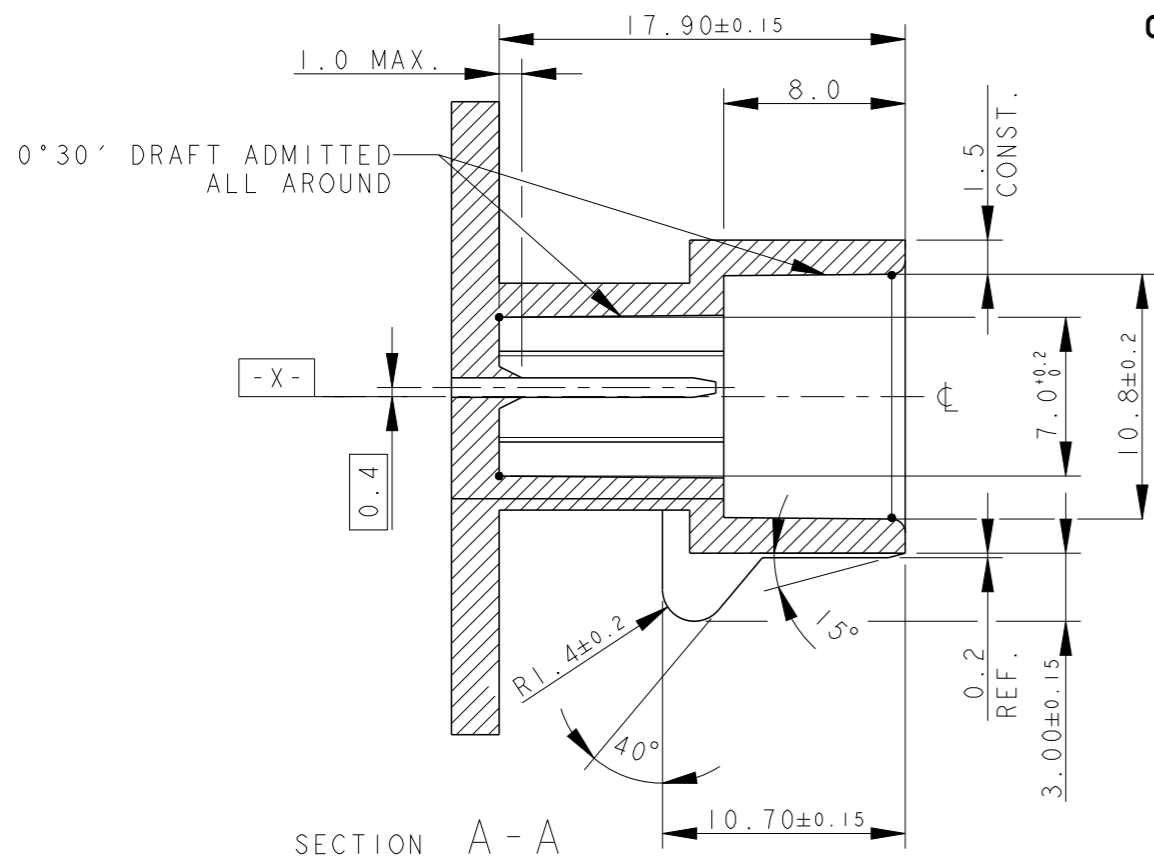
AMP SUPERSEAL 1.5 SRS.  
5 POSITIONS PLUG ASS'Y

|      |           |            |               |
|------|-----------|------------|---------------|
| SIZE | CAGE CODE | DRAWING NO | RESTRICTED TO |
| A3   | 00779     | C-282089   | -             |

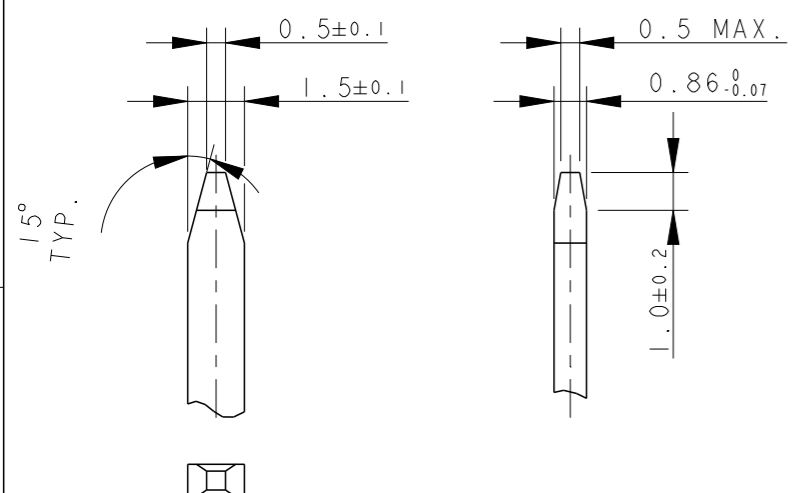
Customer Drawing SCALE 3:1 SHEET 1 OF 2 REV D2

| P | LTR | DESCRIPTION | DATE | DWN | APVD |
|---|-----|-------------|------|-----|------|
|   |     | SEE SHEET 1 |      |     |      |

### COUNTERPART DETAILS



### TAB DETAILS



MATERIALS: PA66-GF FOR HOUSING  
TIN PLATED BRASS FOR TABS

|   |  |                               |  |                        |                    |
|---|--|-------------------------------|--|------------------------|--------------------|
| THIS DRAWING IS A CONTROLLED DOCUMENT.                                      |  | DWN<br>C. BERTINI 05-1992     | TE Connectivity                                  |                        |                    |
| DIMENSIONS:<br>mm   |  | CHK<br>A. BRUNI 05-1992       |  |                        |                    |
| TOLERANCES UNLESS OTHERWISE SPECIFIED:                                      |  | APVD<br>-                     | NAME<br>-  |                        |                    |
| 0 PLC ±0.3<br>1 PLC ±0.1<br>2 PLC ±0.05<br>3 PLC ±<br>4 PLC ±<br>ANGLES ±2° |  | PRODUCT SPEC<br>108-20090     | AMP SUPERSEAL 1.5 SRS.<br>5 POSITIONS PLUG ASS'Y |                        |                    |
| MATERIAL  |  | APPLICATION SPEC<br>412-20000 | SIZE<br>A300779                                  | DRAWING NO<br>C-282089 | RESTRICTED TO<br>- |
| FINISH  |  | WEIGHT<br>5.45gr              | SCALE<br>1:1                                     | SHEET<br>2 OF 2        | REV<br>D2          |
|   |  | Customer Drawing              |  |                        |                    |