



Universal control or limiter

ENERGY SAVINGS - SAFETY - RENEWABLE ENERGY - HYBRID TECHNOLOGY - ENVIRONMENT - COMFORT - PLUG&PLAY - PERFORMANCE
RENEWABLE ENERGY - HYBRID TECHNOLOGY - ENVIRONMENT - COMFORT - PLUG&PLAY - PERFORMANCE - WATER HEATER - ERP



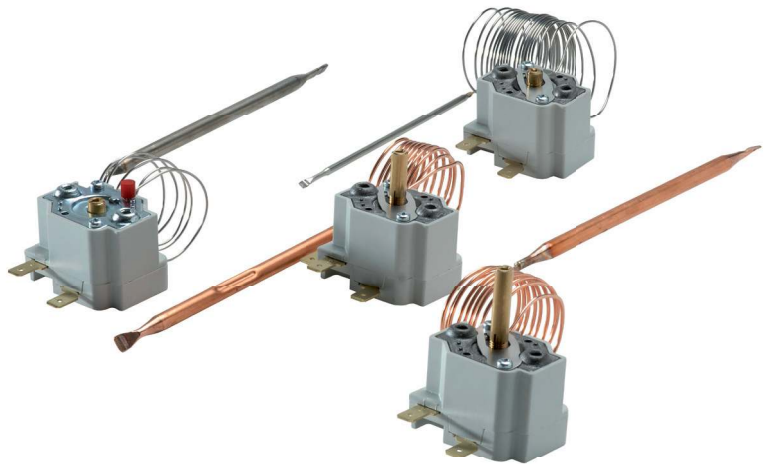
1-pole bulb and capillary control or manual or automatic reset safety limiter

FEATURES

- Available either for temperature regulation or over-temperature protection
- Factory pre-set fixed temperature, OEM adjustable or end-user knob adjustable temperature
- Wide variety of temperature ranges customized to requirements
- Precise temperature control with fast reaction time
- Adaptable to both air and immersion type applications
- Trip free manual reset
- Multiple bracket options for field retrofit
- Protective capillary sleeving available

OPERATION

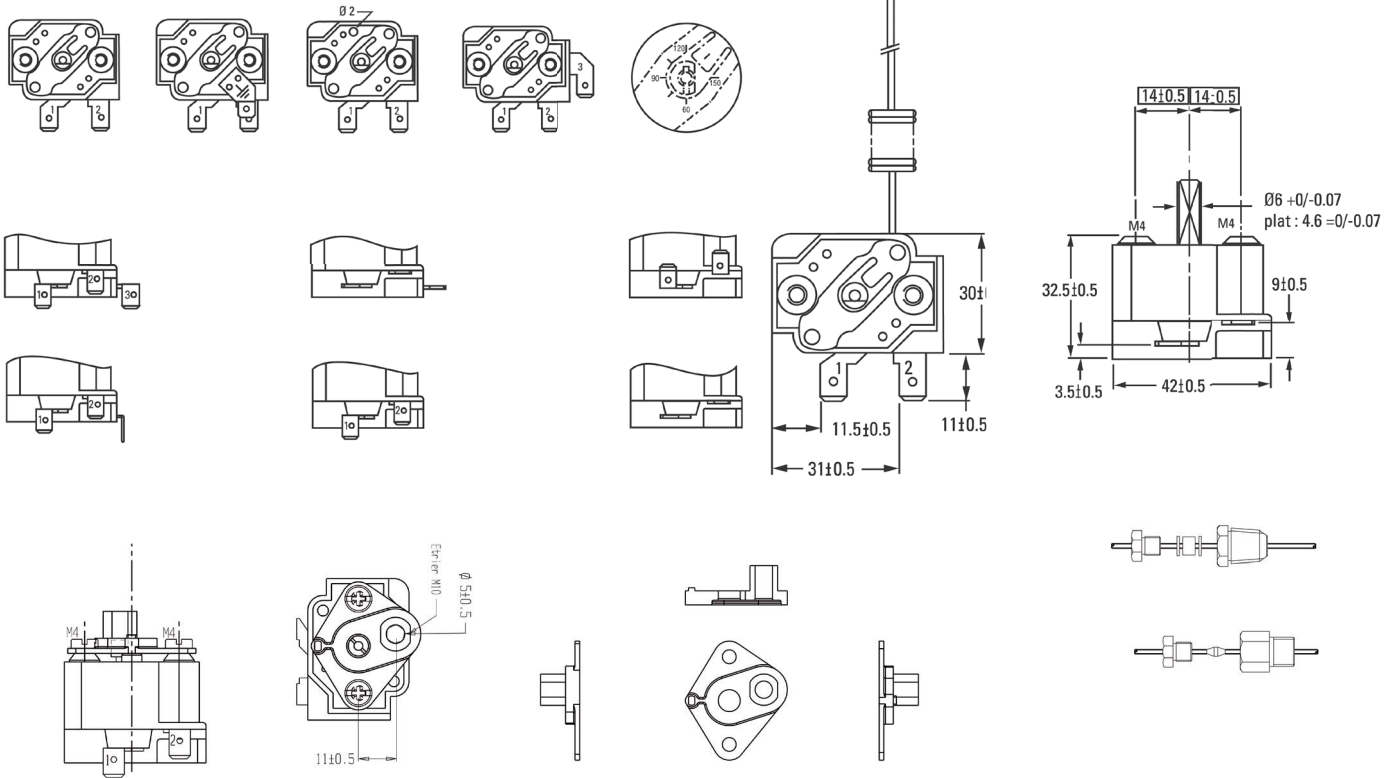
A rise in temperature causes the expansion of liquid within the bulb and capillary. The liquid acts on a bellows assembly within the plastic housing to open and close electrical contacts.



cottherm
DEGREES OF EXCELLENCE

WWW.COTHERM.COM

TECHNICAL CHARACTERISTICS



Type	Adjustable or fixed temperature control or automatic reset safety limiter		Adjustable or fixed temperature manual reset safety limiter		UL/CUL approved equivalents (25A)	
	GTLH	GTLH3	GTLHR	GTLHR3	GTLU	GTLUR
Type	Single pole single throw (SPST)	Single pole double throw (SPDT) with changeover contact	Single pole single throw (SPST)	Single pole double throw (SPDT) with changeover contact	Single pole single throw (SPST) with automatic reset	Single pole single throw (SPST) with manual reset
Temperature range	-35 to 350°C / -31 to 662°F, customized to specification					
Differential	Approx 5% of the temperature range					
Rating	20A - 250V (EN, UL) / 25A - 250V (UL)					
Material	Bulb and capillary in copper, nickel-plated copper, or stainless steel					
Capillary length	150 to 3000 mm / 6 to 118"					
Sensing element diameters	Copper: 4, 5, 6 and 8 mm / 5/32, 3/16, 1/4 and 5/16" stainless steel : 3, 5, and 6 mm / 1/8, 3/16, and 1/4"					
Maximum head temperature	120°C / 248°F, 150°C / 302°F					
Connections	Brass or nickel plated fastons or screw terminals					
Approvals	CE conformity, ENEC MARK according to EN-60730-1, EN 67130-2-9, ROHS conformity UL, CSA					

Weight: approx. 60g