

CONFIDENTIAL

VERTRAULICH

Alle Rechte bei Marquardt, auch fuer den Fall von Schutzrechtsanmeldungen. Jede Veruegungsbefugnis, wie Kopier- und Weitergaberecht, bei uns.

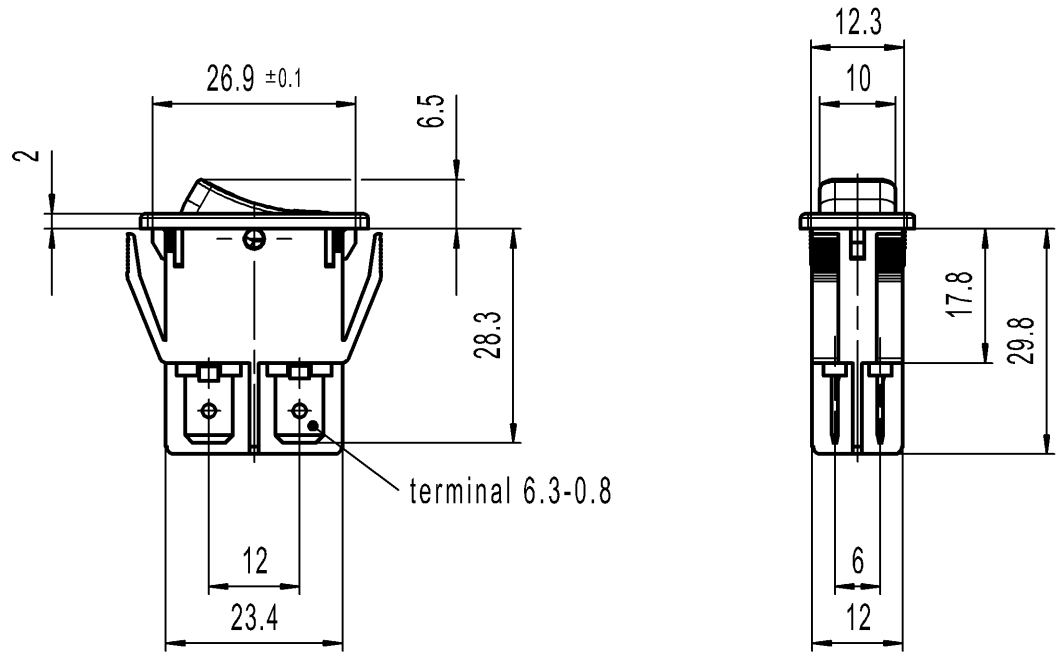
THIS DRAWING IS THE EXCLUSIVE PROPERTY OF MARQUARDT. WITHOUT THEIR CONSENT IT MAY NOT BE REPRODUCED OR GIVEN TO THIRD PARTIES.

recommended cut-out for snap-in fixing
(edge opposite to snap-in direction)

wall thickness
0.8 to 5.0

length of cut-out
27.2 ± 0.1

width of cut-out
12.2 ± 0.2



Marking



155..

16 (4) / 250 ~

10 (4) / 250 ~ 5E4

5/100A 250V ~



16A 125-250V AC

1 HP 125V AC

2 HP 250V AC

R38

Code of manufacture:
place/year/week

On box: G R174

T100/55 T100

20A 125-250V AC

1 HP 125V AC

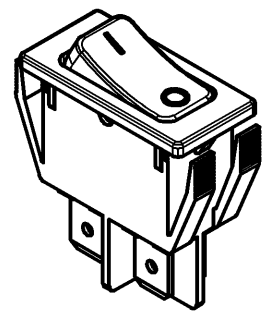
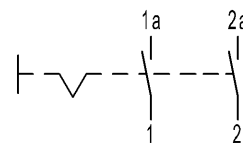
2 HP 250V AC

R174

DPST

Suitable for appliances of class II

G=matching IEC 60335-1:2001 clause 30



-		-		-		1552.3117-XX	
Figure		Type		Customer No.		Art.No.-PI	
Shape and location	Angle ± 2°	Length		Radii		Sheet	01
	Edge tolerance	0-6	± 0.2	±	±	Ident.	K
		>6-15	± 0.4	±	±	Document number	15523117
		>15-30	± 0.4	±	±	Index	e
		>30-70	± 0.6	±	±	Appliance Switch	
		>70-120	±	±	±		
		>120-200	±	±	±		
		±	±	±	±		
e	134536	2020-11-03		MATHPATIR		 MARQUARDT	
d	69572	2010-10-04		HHE			
c	67068	2010-01-29		HHE			
b	47793	2006-07-13		HHE			
Index	MEC-No.	Date (YYYY-MM-DD)		Edited by		System NX V11.0 Replacement of Zg.gl.Nr.v.16.05.2001	