



Meaningful Innovation.

# INSTRUCTION MANUAL

## LED LINEAR LIGHT - SURFACE

### TECHNICAL DATA

MODEL	VT-7-46
SKU	20462, 20463, 20464 20466, 20467, 21463
POWER	40W
LUMENS	3400
BEAM ANGLE	120°
DF	0.9
INPUT POWER	AC: 200-240V, 50Hz
DIMENSION	1200x50x65mm



### INTRODUCTION

Thank you for selecting and buying V-TAC product. V-TAC will serve you the best. Please read these instructions carefully before starting the installation and keep this manual handy for future reference. If you have any other query, please contact our dealer or local vendor from whom you have purchased the product. They are trained and ready to serve you at the best.

### WARNING

1. Please make sure to turn off the power before starting the installation.
2. Installation must be performed by a qualified electrician.
3. Proper grounding should be ensured throughout the installation.
4. The light source of this luminaire is not replaceable; when the light source reaches its end of life the whole luminaire shall be replaced.
5. For Indoor use only
6. Before installation, you must carefully check the integrity of the product and accessories
7. When installed, products and flammable materials to ensure that at least 0.2m distance, lighting cannot be installed in the zenith or heat wall, pay attention to low voltage and high voltage electrical wiring separately.
8. To ensure that the power cord has enough length, do not kink cables. Output cables should be laid separately and at a distance from other cables.



This marking indicates that this product should not be disposed of with other household wastes.

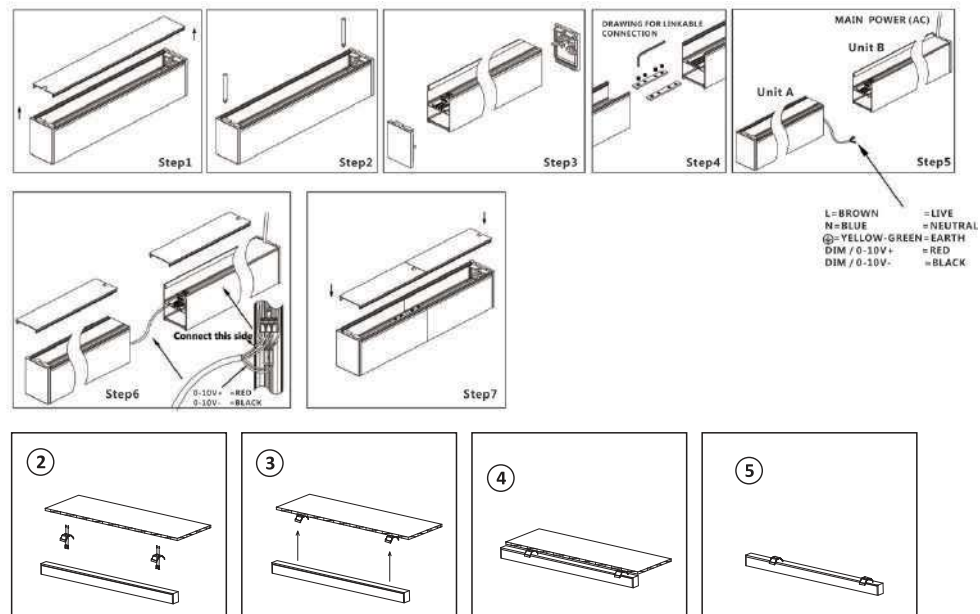


Caution, risk of electric shock.

**05** YEAR WARRANTY\*



### INSTALLATION DIAGRAM



### INSTALLATION INSTRUCTIONS

- Switch off the power before starting the installation.
- Open end cap from any 1 side of the diffuser, slide the diffuser into the fitting. Close the end cap by using screws. (Figure 1)
- Choose the right position and drill 2 holes on the mounting surface. Then fix the brackets onto the mounting surface with help of expansion screws. (Figure 2 & 3)
- Connect the wiring as per the wiring diagram, then install the light onto the bracket. (Figure 4).
- Switch on the power and test.

### WIRING DIAGRAM

