

emerio®

HF-126736



Ultrasonic Humidifier (EN)

Ultraschall-Luftbefeuchter (DE)

Humidificateur à Ultrasons (FR)

Ultrasonic Luftfuktare (SE)

Ultrasoon Luchtbevochtiger (NL)

Nawilżacz ultradźwiękowy (PL)

Ультразвуковой увлажнитель (RU)

EAC CE

Content – Inhalt – Teneur – Innehåll – Inhoud – Treść – Содержание

Instruction manual – English	- 2 -
Bedienungsanleitung – German	- 12 -
Mode d'emploi – French	- 22 -
Bruksanvisning – Swedish	- 32 -
Gebruiksaanwijzing – Dutch	- 41 -
Instrukcja obsługi – Polish	- 51 -
Инструкция по эксплуатации – Russian	- 61 -

SAFETY INSTRUCTIONS

Before use make sure to read all of the below instructions in order to avoid injury or damage, and to get the best results from the appliance. Make sure to keep this manual in a safe place. If you give or transfer this appliance to someone else make sure to also include this manual.

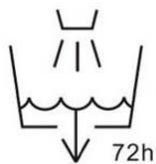
In case of damage caused by user failing to follow the instructions in this manual the warranty will be void. The manufacturer/importer accepts no liability for damages caused by failure to follow the manual, a negligent use or use not in accordance with the requirements of this manual.

1. Read and save these instructions. Attention: pictures in the IM are for reference only.
2. This appliance can be used by children aged from 8 years and above and persons with reduced physical, sensory or mental capabilities or lack of experience and knowledge if they have been given supervision or instruction concerning use of the appliance in a safe way and understand the hazards involved.
3. Children shall not play with the appliance.
4. Cleaning and user maintenance shall not be made by children without supervision.
5. This appliance is intended to be used in household and similar applications.
6. Unplug the appliance during filling and cleaning.
7. Regarding maintenance, filling, cleaning and descaling of the appliance, please refer to the related paragraphs of the manual.
8. If the supply cord is damaged, it must be replaced by the manufacturer, its service agent or similarly qualified persons in order to avoid a hazard.
9. Before inserting the plug into the mains socket, please check that the voltage and frequency comply with the specifications on the rating label.

10. Disconnect the mains plug from the socket when the appliance is not in use and before cleaning.
11. Ensure that the mains cable is not hung over sharp edges and keep it away from hot objects and open flames.
12. Do not plug or unplug the appliance from the electrical outlet with a wet hand.
13. Never attempt to open the housing of the appliance, or to repair the appliance yourself. This could cause electric shock.
14. Do not add detergents, chemical solutions in the appliance.
15. Keep detergents and chemical solutions away from children.
16. If there is any abnormal smell during normal operation, please switch off and disconnect power supply and ask qualified technician for repairing.
17. Do not touch water in the water tank & components in the water when the unit is working.
18. Do not switch on the appliance without water in the water tank.
19. Do not scrape transducer at will.
20. Do not clean transducer with detergents and chemical solutions.
21. Indoor and domestic use only.
22. When moving the appliance, lift it by the base unit; not by the water tank.
23. Do not put items like clothing or towels on top of the appliance. If the nozzle is obstructed, this may cause the malfunction.
24. Never use this appliance in a room where aerosol products (sprays) are used or in a room or where oxygen is being administered.
25. Turn off the appliance and unplug it before removing the water tank and moving the unit.

26. Excessive humidity in a room can cause water condensation on windows and some furniture. If this happens, turn off the appliance.
27. Never place housing under water flow or immerse in liquids.
28. Always place the humidifier on a hard, flat and level surface. Avoid exposure to direct sunlight and always keep it away from walls and heat sources such as stoves, radiators, etc. Warning: The humidifier may not work correctly if it is not placed on a level surface.
29. Fill the water tank with fresh, distilled or demineralized water. Do not drop any other liquid into water tank or water basin.
30. Do not shake the humidifier as this might cause the water spill over into the base of humidifier.
31. Do not pour hot water into the tank, i.e. at a temperature in excess of 40°C.
32. The ideal relative humidity level for human comfort is in fact between 45% and 65%. Excess humidity shows up in the form of condensation on cold surfaces or cold walls in the room. To measure the room's humidity correctly, use a hygrometer available in most specialist shops and hypermarkets.
33. Be aware that high humidity levels may encourage the growth of biological organisms in the environment.
34. Do not permit the area around the humidifier to become damp or wet. If dampness occurs, turn the output of the humidifier down. If the humidifier output volume cannot be turned down, use the humidifier intermittently. Do not allow absorbent materials, such as carpeting, curtains, drapes, or tablecloths, to become damp.
35. Unplug the appliance during filling and cleaning.
36. Never leave water in the reservoir when the appliance is not in use.
37. Empty and clean the humidifier before storage. Clean the humidifier before next use.

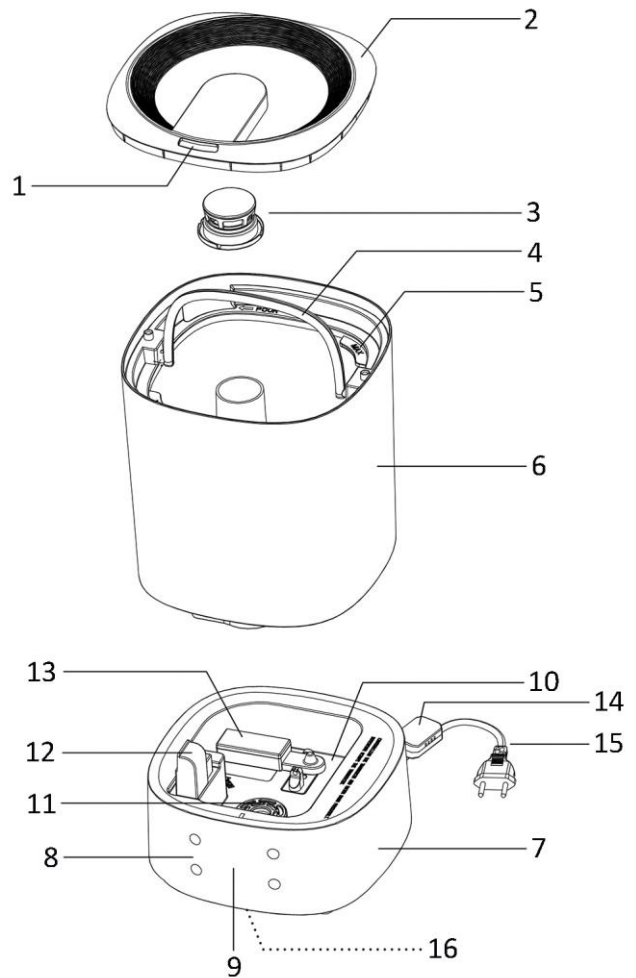
38. Warning: Micro-organisms that may be present in the water or in the environment where the appliance is used or stored, can grow in the water reservoir and be blown in the air causing very serious health risks when the water is not renewed and the tank is not cleaned properly every 3 days.



39. Clean the water tank every three days

PARTS

1. Nozzle
2. Top cover
3. Mist block cover
4. Handle
5. Water tank frame (marked with the correct direction to pour the water: **POUR**; the max water level: **MAX**)
6. Water tank
7. Base
8. Control panel
9. LED display
10. Water basin
11. Transducer
12. Air outlet
13. Buoy
14. Sensor
15. Power cord and plug
16. Indicator light



Control panel



1. On/off button
2. Mist output button
3. Timer button
4. Humidity button

FUNCTION

1. Relative Humidity Setting

Relative humidity in different environments suitable for people:

Bedroom, sitting room: 45-65%RH

Patient's room: 40-55%RH

Room with technical equipment: 45-60%RH

Room with piano: 40-60%RH

Museum, exhibition hall, and library: 40-50%RH

2. Water filter

- 1) Hard water can be softened by ceramic balls.
- 2) Strange smell can be eliminated by ceramic filter in the water.

3. Aroma box



- 1) Press out the aroma box from the base.
- 2) Use water-soluble aroma oil and drop it on to the cotton.
- 3) Put the aroma box back into the humidifier. The aroma function will remain on when the humidifier is running.
- 4) To stop the aroma function or when storing the humidifier, clean the cotton in the aroma box.
- 5) Only drop aroma oil into aroma cotton. Do not drop any liquid except clean water into the water tank or basin.

OPERATION INSTRUCTION

Before operating, put unit at room temperature for half of an hour before running.

It is recommended to use the unit below temperature of 20°C and relative humidity less than 80%RH.

Use water below 40°C.

Clean the water basin before using.

Filling instruction



Usage instructions

1. Put the appliance on a flat surface.
2. Remove the top cover, fill water into the water tank and then put back the top cover. Alternatively, take out the water tank for filling water, afterwards put the water tank back on the main base.
3. Check if the rated voltage meets the input voltage, and plug in the electric socket. The LED display will flash once and a beep sound will be heard. The appliance is in standby state.
4. Touch the button "ON/OFF" on the control panel to switch on the appliance. The appliance begins to work at the mist output level "2" by default. The indicator light in the bottom of the unit illuminates in blue. The LED display shows the current humidity and the mist output level alternately.
5. Touch the button "MAX/MIN" to adjust the mist output: 1 = low level of the mist output; 2 = medium level of the mist output; 3 = high level of the mist output.
6. Touch the button "TIMER" to set your desired working time from 01-12 hours. (Touch the button till the LED display shows "— —". It means to cancel the timer setting.)

The LED display will flash the set timer three times and then turn back to show the current humidity. The timer has been set.

Once the timer is set, the LED display will show the current humidity, the mist output level and the timer and then repeat circularly.

Note: You can also long touch the button "TIMER" for 2 seconds to cancel the timer function during working.

7. Touch the button "HUMIDITY" to set your expected humidity from 30%RH to 90%RH. Touch once; it will increase by 5%RH. (Touch the button till the LED display shows "Co". It means to cancel the humidity setting.)

The LED display will flash the expected humidity three times and then turn back to show the current humidity. The appliance enters into the constant humidity function.

Under constant humidity function, the mist output level is nonadjustable. The appliance will adjust it automatically.

- When the expected humidity is 16%RH higher than the current humidity, the appliance works in mist output level 3.
- When the expected humidity is 10%RH - 15%RH higher than the current humidity, the appliance works in mist output level 2.
- When the expected humidity is 1%RH - 9%RH higher than the current humidity, the appliance works in level 1.
- When the expected humidity is less than the current humidity, the appliance will be in sleeping state.

Once the expected humidity is set, the LED display will show the current humidity, the expected humidity (slow twinkle) and the timer (if set) and then repeat circularly.

Note: During working, long touch the button "HUMIDITY" for 2 seconds, the appliance enters into the night mode. The indicator light in the bottom of the unit will be off as well as the LED display. Long press again to exit the night mode.

Auto shut-off function

Once the water in the basin is too little to keep the humidifier working, the humidifier will automatically stop working. The indicator light in the bottom of the unit will turn red. Refill the water tank, and touch the on/off button again to restart. The red light will change to blue color.

MAINTENANCE

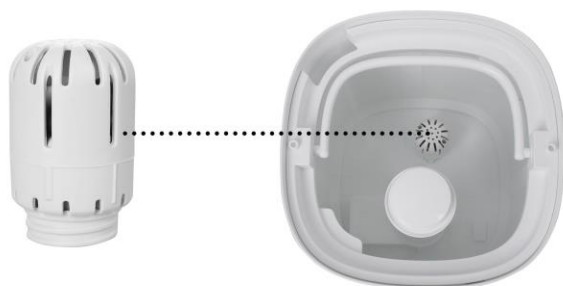
In case when the water is hard which means water contains too much calcium and magnesium, they can cause "white powder (limestone)" problem and may cause heavy sediments on the surface of the water basin, transducer and inner surface of the water tank. Sediments on the surface of the transducer could influence proper function.

We recommend:

- 1) Use cold boiled water or distilled water.
- 2) Clean the transducer, water tank and basin unit every week.
- 3) Change water in water tank frequently to avoid "white powder" / limestone.
- 4) Make sure to drain water out from the water tank and dry the water basin before storing the unit for a long period of time.
- 5) Clean the whole unit, and make sure that all parts of the unit are dried completely before use.

When there is leakage from the bottom of the tank, from the part where the spring is, please press and release the spring a couple of times to remove calcareous residue which can cause the leakage.

How to clean the filter system:



- 1) Clean the ceramic filter after using 1000L water regularly. Depend on the water quality, if the ceramic balls are dirty, the filter needs to be cleaned more frequently.
- 2) It can be dipped in vinegar about 5 minutes. Then rinse it with clean water.
- 3) Put the filter under the sun for 4~6 hours.
- 4) You can purchase replacement filters at www.buyspareparts.eu

How to clean the transducer:

- 1) Put 5-10 drops of decalcifying agent or citric acid on the surface of the transducer; wait for 2-5 minutes.
- 2) Brush out the surface and then rinse the transducer with water.

How to clean the water basin:

- 1) Clean the water basin with soft cloth and use a decalcifying agent or citric acid.
- 2) If the scale deposit is covered in any place of the water basin, drop the decalcifying agent or citric acid on the scale deposit and clean it out with a brush.
- 3) Rinse the water basin with water.

TROUBLE SHOOTING GUIDE

Any trouble found in normal operation; please kindly refer to the following points:

Trouble	Possible reasons	Possible solutions
Moisture on the floor around the unit	Device is set too high, the air cannot absorb the expelled moisture, it comes to rain down.	Reduce moisture evaporation.
Mist smells abnormally	Plastics might smell during first applications	Take out water tank, open cover, let it stay 12 hours in cool position.
	Dirty water or long time staying water.	Cleaning water tank, fill in clear water.
	Residual smell from diffusing aroma oil on the aroma cotton.	Remove the aroma cotton, rinse it under clean water and allow it to dry.
Insufficient mist evaporation	Too much sediment in the water basin.	Clean transducer and water basin
	Water is too dirty or water kept too long in the tank.	Clean water tank, change to fresh clear water.
	The nozzle could be blocked.	Remove any blocking items from the nozzle.
	There is natural or artificial air replacement in the room which interfere the increase of %RH.	Check if doors and windows are closed. Check if there is no air conditioning working in the room.

Abnormal noise	Resonant sound in water tank when water level is too low.	Fill water into water tank
	Unit is on an unstable surface	Move the unit to a stable flat surface.
There is condensation in the room.	The room temperature is too low.	Heat the room up.
The mist suddenly stops coming out.	Indicator light is in red.	Refill water tank.
	Programmed timer period has run out.	Turn humidifier on.
	The target humidity level is reached.	——
Control panel does not work	Hands are too wet when operating the control panel.	Keep hands dry while operating the control panel.
White dust appears around the humidifier.	Water being used has a high mineral content.	Use distilled water with the humidifier. If distilled water is not available, use purified or filtered water. Remember to clean water tank at least once a week.
	Humidifier was not properly cleaned after last use.	Clean the humidifier.
Indicator light is in blue when switched on, but no mist come out.	The target humidity is reached.	Increase the target humidity.
Indicator light is in red.	No water in the tank.	Refill the water tank and wait at least 1 minute.
	Water level is low.	
	The water level required has not yet reached the water basin.	Wait at least 1 minute.
	The water tank isn't well positioned.	Check the positioning of the tank on the base.
	The humidifier isn't on a flat surface.	Check the positioning of the humidifier.

TECHNICAL DATA

Power supply: 220V-240V ~ 50Hz/60Hz

Power: 30W

GUARANTEE AND CUSTOMER SERVICE

Before delivery our devices are subjected to rigorous quality control. If, despite all care, damage has occurred during production or transportation, please return the device to your dealer. In addition to statutory legal rights, the purchaser has an option to claim under the terms of the following guarantee:

For the purchased device we provide 2 years guarantee, commencing from the day of sale. If you have a defective product, you can directly go back to the point of purchase.


Defects which arise due to improper handling of the device and malfunctions due to interventions and repairs by third parties or the fitting of non-original parts are not covered by this guarantee. Always keep your receipt, without the receipt you can't claim any form of warranty. Damage caused by not following the instruction manual, will lead to a void of warranty, if this results in consequential damages then we will not be liable. Neither can we hold responsible for material damage or personal injury caused by improper use if the

instruction manual is not properly executed. Damage to accessories does not mean free replacement of the whole appliance. In such case please contact our service department. Broken glass or breakage of plastic parts is always subject to a charge. Defects to consumables or parts subjected to wearing, as well as cleaning, maintenance or the replacement of said parts are not covered by the warranty and are to be paid.

ENVIRONMENT FRIENDLY DISPOSAL



Recycling – European Directive 2012/19/EU

This marking indicates that this product should not be disposed with other household wastes. To prevent possible harm to the environment or human health from uncontrolled waste disposal,  recycle it responsibly to promote the sustainable reuse of material resources. To return your used device, please use the return and collection systems or contact the retailer where the product was purchased. They can take this product for environmental safe recycling.

Emerio Deutschland GmbH (no service address)
Lerchenweg 3
40789 Monheim am Rhein
Deutschland

Customer service:

T: +49 (0) 3222 1097 600

E: info.de@emerio.eu

SICHERHEITSHINWEISE

Lesen Sie vor dem Gebrauch unbedingt die nachfolgenden Anleitungen, um Verletzungen oder Beschädigungen zu vermeiden und das beste Ergebnis mit dem Gerät zu erzielen. Bewahren Sie diese Bedienungsanleitung an einem sicheren Ort auf. Wenn Sie dieses Gerät an eine andere Person weitergeben, stellen Sie sicher, dass Sie auch diese Bedienungsanleitung aushändigen.

Im Falle von Beschädigungen, die durch die Missachtung der Anleitungen in dieser Bedienungsanleitung verursacht wurden, wird die Garantie ungültig. Der Hersteller/Importeur haftet nicht für Schäden, die durch Missachtung der Bedienungsanleitung, fahrlässigen Gebrauch oder Benutzung, die nicht in Übereinstimmung mit den Anforderungen dieser Bedienungsanleitung erfolgt, verursacht wurden.

1. Lesen und bewahren Sie diese Anleitungen auf. Achtung: Die Bilder in der Bedienungsanleitung dienen nur zur Veranschaulichung.
2. Dieses Gerät kann von Kindern ab 8 Jahren und von Personen mit eingeschränkten physischen, sensorischen oder geistigen Fähigkeiten oder ohne Erfahrung und/oder Wissen benutzt werden, wenn diese durch eine für ihre Sicherheit zuständige Person beaufsichtigt werden oder von ihr Anweisungen erhielten, wie das Gerät sicher zu benutzen ist und sie auf die Risiken aufmerksam gemacht wurden.
3. Kinder dürfen nicht mit dem Gerät spielen.
4. Kinder sollten dieses Gerät nicht unbeaufsichtigt reinigen oder warten.
5. Dieses Gerät ist für den Gebrauch in Haushalten und ähnlichen Anwendungsbereichen vorgesehen.
6. Zum Befüllen und Reinigen Stecker des Gerätes aus der Steckdose ziehen.

7. Angaben zu Pflege, Befüllung, Reinigung und Entkalkung des Geräts finden Sie in den entsprechenden Abschnitten des Handbuchs.
8. Wenn die Netzanschlussleitung dieses Gerätes beschädigt wird, muss sie durch den Hersteller oder seinen Kundendienst oder eine ähnlich qualifizierte Person ersetzt werden, um Gefährdungen zu vermeiden.
9. Bevor Sie den Stecker mit der Netzsteckdose verbinden, prüfen Sie bitte, ob die Spannung und die Frequenz mit den Angaben auf dem Typenschild übereinstimmen.
10. Ziehen Sie den Netzstecker aus der Steckdose, wenn das Gerät nicht benutzt und bevor es gereinigt wird.
11. Achten Sie darauf, dass das Netzkabel nicht über scharfe Kanten hängt und halten Sie es von heißen Objekten und offenen Flammen fern.
12. Den Netzstecker des Gerätes nicht mit einer nassen Hand aus der Steckdose ziehen oder mit der Steckdose verbinden.
13. Versuchen Sie unter keinen Umständen, das Gehäuse des Gerätes zu öffnen oder das Gerät selbst zu reparieren. Dies könnte einen Stromschlag verursachen.
14. Geben Sie keine Reinigungsmittel oder chemische Lösungen in das Gerät.
15. Halten Sie Reinigungsmittel und chemische Lösungen von Kindern fern.
16. Wenn beim normalen Betrieb ein ungewöhnlicher Geruch entsteht, schalten Sie das Gerät bitte aus, trennen es vom Stromnetz und lassen es von einem qualifizierten Techniker reparieren.
17. Berühren Sie nicht das Wasser in dem Wassertank und die Bauteile im Wasser, wenn das Gerät in Betrieb ist.
18. Schalten Sie das Gerät nicht ein, wenn kein Wasser im Wassertank ist.
19. Kratzen Sie nicht an dem Wassertankanschluss.
20. Reinigen Sie den Wassertankanschluss nicht mit Reinigungsmitteln oder Chemikalien.
21. Nur für Innenbereich und Hausgebrauch.

22. Heben Sie das Gerät beim Umsetzen an der Basis und nicht am Wassertank an.
23. Legen Sie keine Gegenstände wie Kleidung oder Handtücher auf das Gerät. Wenn die Düse blockiert ist, kann dies zu Fehlfunktionen führen.
24. Benutzen Sie dieses Gerät niemals in einem Raum, in dem Aerosolprodukte (Sprays) verwendet werden oder in dem Sauerstoff verabreicht wird.
25. Schalten und stecken Sie das Gerät aus, bevor Sie den Wassertank leeren oder das Gerät versetzen.
26. Übermäßige Feuchtigkeit in einem Raum kann Wasserkondensation an Fenstern und einigen Möbeln verursachen. Wenn dies geschieht, schalten Sie das Gerät aus.
27. Halten Sie das Gehäuse nie unter fließendes Wasser und tauchen Sie es nie in Flüssigkeiten.
28. Den Luftbefeuchter immer auf eine harte, flache und horizontale Fläche stellen. Vor direktem Sonnenlicht schützen und von Wänden und Wärmequellen wie etwa Öfen, Heizkörpern etc. fern halten. Warnung: Wenn der Luftbefeuchter nicht auf eine horizontale Fläche gestellt wird, funktioniert er nicht richtig.
29. Frisches, destilliertes oder entmineralisiertes Wasser in den Tank füllen. Keine andere Flüssigkeit in den Wassertank oder in das Wasserbecken lassen.
30. Den Luftbefeuchter nicht schütteln, denn dadurch kann Wasser austreten und in die Basis des Luftbefeuchters eindringen.
31. Kein heißes Wasser in den Tank gießen, d. h. wenn es heißer ist als 40°C.
32. Die für das menschliche Wohlbefinden ideale relative Luftfeuchtigkeit liegt zwischen 45 und 65 %. Eine zu hohe Luftfeuchtigkeit macht sich als Kondenswasserbildung auf kalten Oberflächen oder an kalten Wänden im Zimmer bemerkbar. Um die Luftfeuchte im Zimmer richtig zu messen, reicht ein handelsübliches Hygrometer aus, das in vielen Fachgeschäften und Baumärkten erhältlich ist.

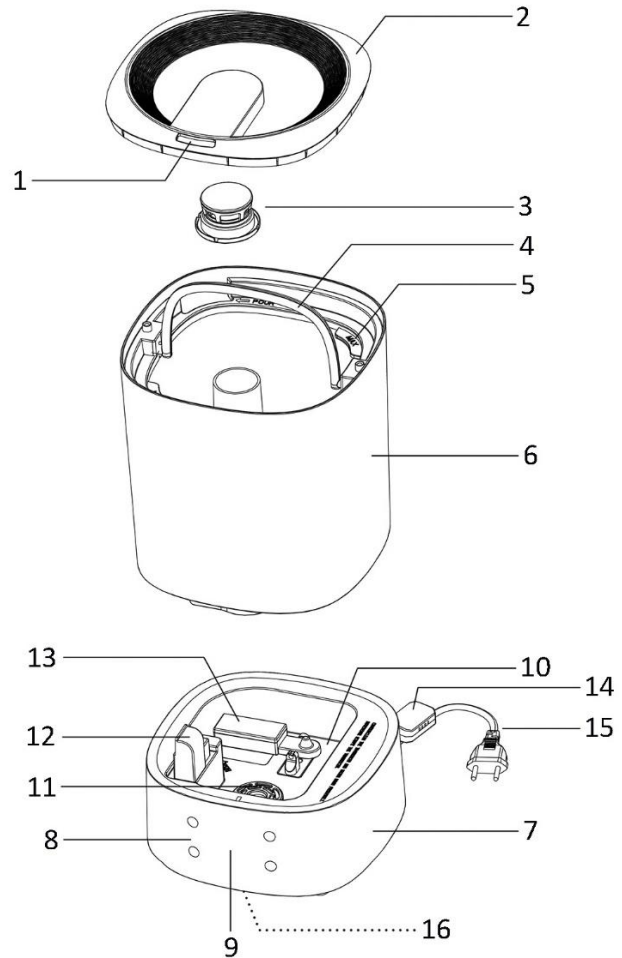
33. Eine hohe Luftfeuchtigkeit kann das Wachstum von biologischen Organismen in der Umgebung begünstigen.
34. Verhindern Sie, dass der Bereich um den Luftbefeuchter herum feucht oder nass wird. Falls Feuchte auftritt, stellen Sie die Luftbefeuchterleistung niedriger. Falls sich die Leistung des Luftbefeuchters nicht verringern lässt, schalten Sie ihn zwischendurch aus. Verhindern Sie, dass saugfähiges Material wie Teppichboden, Vorhänge, Gardinen oder Tischdecken feucht werden.
35. Vor dem Befüllen und Reinigen des Geräts den Netzstecker ziehen.
36. Lassen Sie nie Wasser im Gerät, wenn es nicht in Gebrauch ist.
37. Entleeren Sie den Luftbefeuchter und reinigen Sie ihn vor dem Verstauen. Reinigen Sie den Luftbefeuchter vor dem nächsten Gebrauch.
38. Warnung: Im Wasser oder in der Umgebung, in der das Gerät benutzt oder verstaut wird, vorhandene Mikroorganismen können sich im Wasserbehälter vermehren und in die Luft transportiert werden. Das kann zu ernsthaften Gesundheitsschäden führen, wenn das Wasser nicht korrekt alle 3 Tage ausgetauscht und der Behälter gereinigt wird.



39. Reinigen Sie den Wassertank alle drei Tage

TEILE

1. Düse
2. Obere Abdeckung
3. Nebelverschlussdeckel
4. Griff
5. Wassertank-Umrandung (mit Kennzeichnung der richtigen Richtung zum Wasser einfüllen: **POUR** (Eingießen); max. Füllmenge: **MAX**)
6. Wassertank
7. Basis
8. Bedienfeld
9. LED-Display
10. Wasserbecken
11. Wassertankanschluss
12. Luftauslass
13. Boje
14. Sensor
15. Netzkabel mit Stecker
16. Anzeigeleuchte



Bedienfeld



1. Ein/Aus-Taste
2. Verneblungsstufen
3. Timer-Taste
4. Luftfeuchte-Taste

FUNKTION

1. Einstellen der relativen Luftfeuchtigkeit

Für Menschen geeignete relative Luftfeuchtigkeit in unterschiedlicher Umgebung:

Schlafzimmer, Wohnzimmer: 45-65%RH

Krankenzimmer: 40-55%RH

Zimmer mit technischen Geräten: 45-60%RH

Zimmer mit Klavier: 40-60%RH

Museum, Ausstellungshalle, Bibliothek: 40-50%RH

2. Wasserfilter

- 1) Hartes Wasser kann mit Keramikugeln weich gemacht werden.
- 2) Gerüche können durch den Keramikfilter im Wasser eliminiert werden.

3. Aromabox



- 1) Die Aromabox aus der Basis schieben.
- 2) Wasserlösliches Aromaöl auf den Baumwollstoff tröpfeln.
- 3) Die Aromabox in den Luftbefeuchter einsetzen. Die Aromafunktion bleibt eingeschaltet, solange der Luftbefeuchter in Betrieb ist.
- 4) Zum Abstellen der Aromafunktion oder vor dem Verstauen des Luftbefeuchters den Baumwollstoff in der Aromabox reinigen.
- 5) Nur Aromaöl auf den Baumwollstoff geben. Abgesehen von Wasser keine andere Flüssigkeiten in den Wassertank oder das Becken füllen.

BEDIENUNGSANLEITUNG

Setzen Sie das Gerät vor dem Betrieb zuerst für eine halbe Stunde der Zimmertemperatur aus.

Es wird empfohlen das Gerät unter 20°C bei einer relativen Luftfeuchtigkeit von 80%RH zu benutzen.

Benutzen Sie Wasser unter 40°C.

Reinigen Sie vor dem Einsatz den Wasserbehälter.

Auffüllungsanweisung



Gebrauchsanweisung

1. Stellen Sie das Gerät auf einen ebenen Untergrund.
2. Die obere Abdeckung abnehmen, Wasser in den Tank füllen und die Abdeckung wieder aufsetzen. Statt dessen kann auch der Wassertank zum Nachfüllen von Wasser herausgenommen werden. Den Wassertank anschließend wieder in die Basis einsetzen.
3. Überprüfen Sie, ob die Nennspannung mit der Netzspannung übereinstimmt und schließen das Gerät an die Steckdose an. Das LED-Display blinkt einmal auf und ein Warnton ist zu hören. Das Gerät ist im Standby-Modus.
4. Zum Einschalten des Geräts die Taste "ON/OFF" auf dem Bedienfeld drücken. Das Gerät startet standardmäßig mit Vernebelungsstufe "2". Die Anzeigeleuchte unten am Gerät leuchtet blau. Im LED-Display werden abwechselnd die aktuelle Luftfeuchtigkeit und die Vernebelungsstufe angezeigt.
5. Die Taste "MAX/MIN" drücken, um die Vernebelungsstufe einzustellen: 1 = niedrige Vernebelungsstufe; 2 = mittlere Vernebelungsstufe; 3 = hohe Vernebelungsstufe.

6. Die Taste "TIMER" drücken, um die gewünschte Betriebsdauer auf 01 bis 12 Stunden einzustellen. (Die Taste drücken, bis das LED-Display folgendes anzeigt "— —". Das bedeutet, die Timereinstellung wird abgebrochen.)

Im LED-Display blinkt der eingestellte Timer drei Mal. Danach wird die aktuelle Luftfeuchtigkeit angezeigt. Der Timer ist nun eingestellt.

Sobald der Timer eingestellt ist, werden im LED-Display die aktuelle Luftfeuchtigkeit, die Vernebelungsstufe und die Timer-Zeit rotierend angezeigt.

Hinweis: Während des Betriebs die Taste "TIMER" 2 Sekunden lang gedrückt halten, um die Timer-Funktion auszuschalten.

7. Die Taste "HUMIDITY" drücken, um eine Sollfeuchte zwischen 30 und 90 % einzustellen. Mit jedem Tastendruck erhöht sich der Sollwert um 5 % relative Luftfeuchte. (Taste gedrückt halten, bis im LED-Display Folgendes steht: „Co“. Das bedeutet Luftfeuchtigkeitseinstellung abbrechen.)

Im LED-Display blinkt die Soll-Luftfeuchtigkeit drei Mal. Danach wird die aktuelle Luftfeuchtigkeit angezeigt. Das Gerät startet den Luftbefeuchtungs-Dauerbetrieb.

Im Dauerbetrieb lässt sich die Vernebelungsstufe nicht einstellen. Das Gerät regelt sie automatisch.

- Ist die Soll-Luftfeuchtigkeit 16 % höher als die Ist-Luftfeuchtigkeit, schaltet das Gerät auf Vernebelungsstufe 3 um.
- Ist die Soll-Luftfeuchtigkeit 10 - 15 % höher als die Ist-Luftfeuchtigkeit, schaltet das Gerät auf Vernebelungsstufe 2 um.
- Ist die Soll-Luftfeuchtigkeit 1 - 9 % höher als die Ist-Luftfeuchtigkeit, schaltet das Gerät auf Vernebelungsstufe 1 um.
- Ist die Soll-Luftfeuchtigkeit niedriger als die Ist-Luftfeuchtigkeit, schaltet das Gerät auf Ruhemodus um.

Sobald die Soll-Luftfeuchtigkeit eingestellt ist, zeigt das LED-Display die Ist-Luftfeuchtigkeit, die Soll-Luftfeuchtigkeit (langsam blinkend) und den Timer an (sofern eingestellt) an. Die Angaben wiederholen sich in dieser Reihenfolge.

Hinweis: Während des Betriebs die Taste "HUMIDITY" 2 Sekunden gedrückt halten, um das Gerät auf Nachtmodus umzuschalten. Die Anzeigeleuchte unten am Gerät und das LED-Display sind dann aus. Zum Beenden des Nachtmodus die Taste erneut gedrückt halten.

Automatische Abschaltfunktion

Wenn das Wasser im Becken für den Betrieb des Geräts nicht mehr ausreicht, schaltet sich der Luftbefeuchter automatisch aus. Die Anzeigeleuchte unten am Gerät leuchtet dann rot. Wassertank nachfüllen und wieder die Ein-/Aus-Taste drücken, um das Gerät zu starten. Die rote Leuchte wechselt zu Blau.

WARTUNG

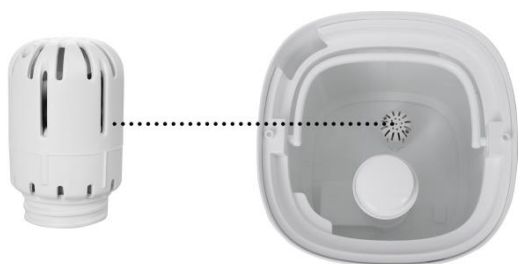
Wenn das Wasser hart ist, also wenn es viel Kalzium und Magnesium enthält, kann sich weißes Pulver auf der Oberfläche des Wasserbeckens, dem Wassertankanschluss und in dem Wassertank absetzen. Belag auf dem Wassertankanschluss kann die korrekte Funktion beeinflussen.

Wir empfehlen:

- 1) Benutzen Sie kaltes abgekochtes oder destilliertes Wasser.
- 2) Reinigen Sie den Wassertankanschluss, Wassertank und Becken jede Woche.
- 3) Wechseln Sie das Wasser in dem Wassertank regelmäßig, um "weißes Pulver" / Kalk zu vermeiden.
- 4) Stellen Sie sicher, dass das Wasser aus dem Wassertank entleert ist und trocknen Sie das Wasserbecken, bevor Sie das Gerät für längere Zeit nicht benutzen oder lagern.
- 5) Reinigen Sie das ganze Gerät und stellen sicher, dass alle Teile trocken sind, bevor Sie es benutzen.

Wenn unten, wo sich die Feder befindet, Wasser aus dem Tank austritt, drücken Sie die Feder bitte mehrmals hintereinander, um Kalkablagerungen zu entfernen; diese können das Leck verursachen.

Reinigung des Filtersystems:



- 1) Nach dem Verbrauch von 1000 l Wasser muss der Keramikfilter regelmäßig gereinigt werden. Je nach Wasserqualität muss der Filter auch häufiger gereinigt werden, wenn die Keramikugeln verschmutzt sind.
- 2) Sie können etwa 5 Minuten lang in Essig eingelegt werden. Anschließend mit reinem Wasser abspülen.
- 3) Den Filter 4 bis 6 Stunden in die Sonne legen.
- 4) Sie können Ersatzfilter auf www.buyspareparts.eu kaufen.

Reinigung des Wassertankanschlusses:

- 1) Geben Sie 5-10 Tropfen Entkalker oder Zitronensäure auf den Wassertankanschluss und warten Sie für 2-5 Minuten.
- 2) Bürsten Sie die Oberfläche ab und spülen den Wassertankanschluss mit Wasser.

Reinigung des Wasserbehälters:

- 1) Reinigen Sie den Wasserbehälter mit einem weichen Lappen und benutzen Sie einen Entkalker oder Zitronensäure.
- 2) Wenn die Kalkablagerungen an einer Stelle im Wasserbecken nicht zugänglich sind, geben Sie Entkalker oder Zitronensäure auf die Kalkablagerungen und reinigen Sie das Becken mit einer Bürste.
- 3) Spülen Sie die Wasserbehälter mit Wasser.

FEHLERBEHEBUNG

Beachten Sie bei Fehlern im normalen Betrieb bitte folgende Punkte:

Fehler	Möglicher Grund	Mögliche Lösungen
Feuchtigkeit auf dem Boden rund um das Gerät	Gerät zu hoch eingestellt, die Luft kann die ausgestoßene Feuchtigkeit nicht mehr aufnehmen, es kommt zum abregnen.	Feuchtigkeitsaustoß reduzieren.
Nebel riecht ungewöhnlich	Kunststoffe können bei der ersten Benutzung riechen	Nehmen Sie den Wassertank heraus, bewahren ihn für 12 Stunden an einem kühlen Ort auf.
	Schmutziges oder altes Wasser	Reinigen Sie den Wassertank und füllen sauberes Wasser ein.
	Restgeruch vom Träufeln des Aromaöls auf den Aromastoff.	Den Aromastoff herausnehmen, unter klarem Wasser abspülen und trocknen lassen.
Unzureichende Verdunstung	Zu viele Ablagerungen in dem Wasserbecken.	Reinigen Sie den Wassertankanschluss und den Wasserbehälter
	Wasser zu schmutzig oder zu lange im Tank.	Reinigen Sie den Wassertank und füllen sauberes Wasser ein.
	Die Düse ist eventuell blockiert.	Blockierendes Material aus der Düse entfernen.
	Ein natürlicher oder künstlicher Luftaustausch findet im Raum statt,	Prüfen, ob Türen und Fenster geschlossen sind.

	der einen Anstieg der relativen Luftfeuchtigkeit verhindert.	Kontrollieren, ob in dem Raum eine Klimatisierung aktiv ist.
Ungewöhnliches Geräusch	Resonanzton im Wassertank, wenn der Wasserstand zu niedrig ist.	Wassertank mit Wasser auffüllen.
	Gerät steht auf unsicherem Untergrund.	Stellen Sie das Gerät auf einen stabilen ebenen Untergrund.
In dem Raum befindet sich Kondensfeuchtigkeit.	Die Raumtemperatur ist zu niedrig.	Raum aufheizen.
Es tritt plötzlich kein Sprühnebel mehr aus.	Die Anzeigeleuchte ist rot.	Wassertank nachfüllen.
	Das programmierte Timer-Intervall ist abgelaufen.	Luftbefeuchter einschalten.
	Die Soll-Luftfeuchtigkeit ist erreicht.	---
Bedienfeld funktioniert nicht	Beim Betätigen der Bedienfeldtasten sind die Hände zu feucht.	Zum Bedienen der Tasten müssen die Hände trocken sein.
Um den Luftbefeuchter herum ist weißer Staub zu sehen.	Das verwendete Wasser hat einen hohen Mineralgehalt.	Im Luftbefeuchter destilliertes Wasser verwenden. Falls kein destilliertes Wasser zur Verfügung steht, gereinigtes oder gefiltertes Wasser verwenden. Daran denken, den Wassertank mindestens einmal pro Woche zu reinigen.
	Nach dem letzten Gebrauch wurde der Luftbefeuchter nicht ordnungsgemäß gereinigt.	Luftbefeuchter reinigen.
Anzeigeleuchte leuchtet beim Einschalten blau, aber es tritt kein Sprühnebel aus.	Die Soll-Luftfeuchtigkeit ist erreicht.	Soll-Luftfeuchtigkeit erhöhen.
Die Anzeigeleuchte ist rot.	Kein Wasser im Tank.	Wassertank auffüllen und mindestens 1 Minute warten.
	Wasserstand ist niedrig.	
	Der Wasserpegel hat die Höhe des Wasserbeckens noch nicht erreicht.	Mindestens 1 Minute warten.
	Der Wassertank ist nicht richtig angeordnet.	Die Tankposition auf der Basis überprüfen.
	Der Luftbefeuchter steht nicht auf einem flachen Untergrund.	Position des Luftbefeuchters überprüfen.

TECHNISCHE DATEN

Stromversorgung: 220V-240V ~ 50Hz/60Hz

Leistung: 30W

GARANTIE UND KUNDENSERVICE

Vor der Lieferung werden unsere Geräte einer strengen Qualitätskontrolle unterzogen. Wenn, trotz aller Sorgfalt, während der Produktion oder dem Transport Beschädigungen aufgetreten sind, senden Sie das Gerät zurück an den Händler. Zusätzlich zu den gesetzlichen Rechten hat der Käufer die Option, gemäß den folgenden Bedingungen Garantie zu fordern:

Wir bieten eine 2-Jahres-Garantie für das erworbene Gerät, beginnend am Tag des Verkaufs. Defekte, die aufgrund von unangemessenem Umgang mit dem Gerät entstehen und Störungen aufgrund von Eingriffen und Reparaturen Dritter oder das Montieren von nicht-Originalteilen werden nicht von dieser Garantie abgedeckt.

Die Quittung immer aufbewahren, ohne Quittung wird jegliche Garantie ausgeschlossen. Bei Schäden durch Nichteinhalten der Bedienungsanleitung erlischt die Garantie, Wir sind für daraus resultierende Folgeschäden nicht haftbar. Für Materialschäden oder Verletzungen aufgrund falscher Anwendung oder Nichtbefolgen der Sicherheitshinweise sind wir nicht haftbar. Schäden an den Zubehörteilen bedeutet nicht, dass das gesamte Gerät kostenlos ausgetauscht wird. In diesem Fall kontaktieren Sie unseren Kundendienst. Zerbrochenes Glas oder Kunststoffteile sind immer kostenpflichtig. Schäden an Verbrauchsmaterialien oder Verschleißteilen, sowie Reinigung, Wartung oder Austausch der besagten Teile werden durch die Garantie nicht abgedeckt und sind deshalb kostenpflichtig.

UMWELTGERECHTE ENTSORGUNG



Wiederverwertung – Europäischen Richtlinie 2012/19/EG

Dieses Symbol zeigt an, dass das Produkt nicht zusammen mit Haushaltsabfällen entsorgt werden darf. Um Umwelt- und Gesundheitsschäden durch unkontrollierte Abfallentsorgung zu verhindern,

■ bitte verantwortungsbewusst entsorgen, um die nachhaltige Wiederverwertung von Ressourcen zu fördern. Nutzen Sie zur Rückgabe Ihres Altgeräts bitte die Rückgabe- und Sammelsysteme oder wenden Sie sich an den Händler bei dem Sie dieses Gerät erworben haben. Dieser kann das Gerät umweltschonend entsorgen.

Emerio Deutschland GmbH (no service address)

Lerchenweg 3

40789 Monheim am Rhein

Deutschland

Kundeninformation:

T: +49 (0) 3222 1097 600

E: info.de@emerio.eu

CONSIGNES DE SÉCURITÉ

Avant d'utiliser l'appareil, lisez toutes les consignes suivantes pour éviter des blessures et des dommages, et pour optimiser les performances de votre appareil. Conservez cette notice d'utilisation dans un endroit sûr. Si vous donnez ou transférez cet appareil à un tiers, veillez à lui remettre également cette notice d'utilisation.

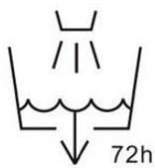
En cas de détérioration due au non-respect par l'utilisateur des instructions de cette notice d'utilisation, la garantie est annulée. Le fabricant/importateur rejette toute responsabilité en cas de dommages dus au non-respect des instructions de la notice d'utilisation, à un usage négligent ou à l'usage non conforme aux exigences de cette notice d'utilisation.

1. Lisez et conservez ces instructions. Attention: les images incluses dans le manuel d'instructions servent de référence seulement.
2. Cet appareil peut être utilisé par des enfants à partir de 8 ans et par des personnes ayant des capacités physiques, sensorielles ou mentales réduites ou un manque d'expérience et de connaissances à condition qu'elles aient été placées sous surveillance ou qu'elles aient reçu des instructions concernant l'utilisation de l'appareil en toute sécurité et qu'elles comprennent les dangers encourus.
3. Les enfants ne doivent pas jouer avec l'appareil.
4. Le nettoyage et l'entretien par l'utilisateur ne doivent pas être effectués par des enfants, sans surveillance.
5. Cet appareil est destiné à être utilisé pour des applications domestiques ou similaires.
6. Débrancher l'appareil lors du remplissage et du nettoyage.
7. Concernant l'entretien, le remplissage, le nettoyage et le détartrage de l'appareil, veuillez vous reporter aux paragraphes concernés du manuel.

8. Si le câble d'alimentation est endommagé, il doit être remplacé par le fabricant, son service après-vente ou des personnes de qualification similaire afin d'éviter un danger.
9. Avant d'insérer la fiche de l'appareil dans une prise secteur, vérifiez que la tension et la fréquence du secteur correspondent aux spécifications indiquées sur la plaque signalétique.
10. Débranchez la fiche électrique de la prise électrique quand l'appareil n'est pas utilisé et avant de le nettoyer.
11. Veillez à ce que le cordon d'alimentation ne pende pas sur des arêtes coupantes et maintenez-le éloigné des objets chauds et des flammes nues.
12. Ne branchez pas et ne débranchez pas l'appareil de la prise électrique avec les mains mouillées.
13. N'essayez pas d'ouvrir le boîtier de l'appareil ni de réparer l'appareil vous-même. Cela peut provoquer un choc électrique.
14. N'ajoutez ni détergent, ni produit chimique dans l'appareil.
15. Gardez les détergents et les produits chimiques éloignés des enfants.
16. En cas d'odeur anormale en cours de fonctionnement, veuillez arrêter et débrancher l'appareil, puis contactez un technicien qualifié pour le faire réparer.
17. Ne touchez pas l'eau présente dans le réservoir ou les éléments présents dans l'eau lorsque l'appareil est en fonctionnement.
18. Ne mettez pas l'appareil en marche s'il n'y a pas d'eau dans le réservoir.
19. N'éraflez pas le transducteur intentionnellement.
20. N'utilisez pas de détergents ou de produits chimiques pour nettoyer le transducteur.
21. Cet appareil est conçu pour un usage domestique en intérieur uniquement.

22. Lorsque vous déplacez l'appareil, soulevez-le par l'unité de base et non par le réservoir d'eau.
23. Ne placez pas d'articles comme des vêtements ou des serviettes sur l'appareil. Si l'embout est obstrué, cela peut causer un dysfonctionnement.
24. N'utilisez jamais cet appareil dans une pièce où des aérosols (vaporisateurs) sont utilisés ni dans un lieu où de l'oxygène est administré.
25. Éteignez l'appareil et débranchez-la avant d'enlever le réservoir d'eau et de déplacer l'unité.
26. Une humidité excessive dans la pièce peut entraîner une condensation d'eau sur les fenêtres et certains meubles. Si cela se produit, éteignez l'appareil.
27. Ne placez jamais le boîtier sous un jet d'eau ou ne le plongez jamais dans des liquides.
28. Placez toujours l'humidificateur sur une surface dure, plane et à niveau. Évitez l'exposition à la lumière directe du soleil et éloignez-le toujours des murs et des sources de chaleur telles des cuisinières, des radiateurs, etc. Avertissement : L'humidificateur peut ne pas fonctionner correctement s'il n'est pas placé sur une surface à niveau.
29. Remplissez le réservoir d'eau avec de l'eau fraîche, distillée ou déminéralisée. Ne versez aucun autre liquide dans le réservoir d'eau ou le bassin.
30. Ne secouez pas l'humidificateur, car cela pourrait provoquer des déversements d'eau dans la base de l'humidificateur.
31. Ne versez pas d'eau chaude dans le réservoir, c'est-à-dire à une température supérieure à 40 °C.
32. Le niveau d'humidité relative idéale pour le confort humain est en fait entre 45 % et 65 %. Un excès d'humidité se manifeste sous la forme de condensation sur des surfaces froides ou des murs froids dans une pièce. Pour mesurer correctement l'humidité d'une pièce, utilisez un hygromètre disponible dans la plupart des magasins spécialisés et des hypermarchés.

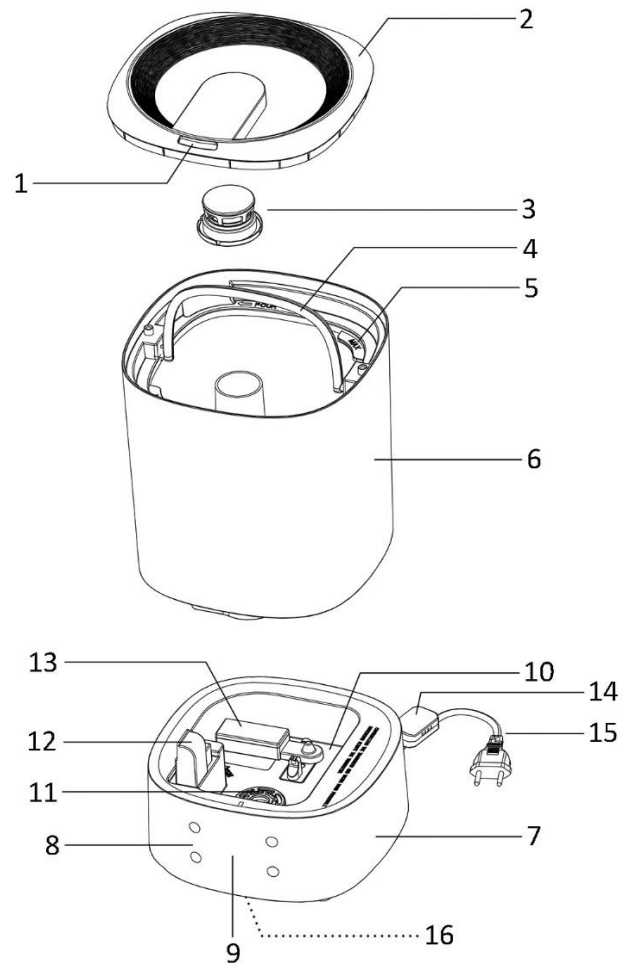
33. Des niveaux d'humidité élevés peuvent favoriser la croissance d'organismes biologiques dans l'environnement.
34. Ne pas laisser la zone autour de l'humidificateur devenir humide ou mouillée. En cas d'humidité, réduire la sortie d'émission de l'humidificateur. Si le volume d'émission de l'humidificateur ne peut pas être réduite, utiliser l'humidificateur par intermittence. Ne pas laisser les matériaux absorbants, tels que les tapis, les rideaux, les tentures ou les nappes, devenir humides.
35. Débrancher l'appareil lors du remplissage et le nettoyage
36. Ne jamais laisser de l'eau dans le réservoir lorsque l'appareil n'est pas utilisé.
37. Vider et nettoyer l'humidificateur avant de le ranger. Nettoyer l'humidificateur avant la prochaine utilisation.
38. Attention : Des micro-organismes pouvant être présents dans l'eau ou dans l'environnement où l'appareil est utilisé ou stocké, peuvent se développer dans le réservoir d'eau et être émises dans l'air provoquant de très graves risques pour la santé lorsque l'eau n'est pas renouvelée et que le réservoir n'est pas nettoyé correctement tous les 3 jours.



39. Nettoyez le réservoir d'eau tous les trois jours

ÉLÉMENTS

1. Buse
2. Couvercle supérieur
3. Couvercle du bloc brouillard
4. Poignée
5. Cadre du réservoir d'eau (marqué avec le bon sens pour verser d'eau : ← **POUR** ; le niveau d'eau max. : **MAX**)
6. Réservoir d'eau
7. Base
8. Panneau de commande
9. Affichage à LED
10. Bassin
11. Transducteur
12. Sortie d'air
13. Balise
14. Capteur
15. Câble et prise d'alimentation
16. Témoin lumineux



Panneau de commande



1. Bouton marche/arrêt
2. Bouton de sortie du brouillard
3. Bouton de la minuterie
4. Bouton de l'humidité

FONCTION

1. Réglage de l'Humidité Relative

Humidité relative convenant aux personnes dans différents environnements :

Chambre à coucher, salon : 45-65% RH

Chambre de malade : 40-55% RH

Pièce renfermant des équipements techniques : 45-60% RH

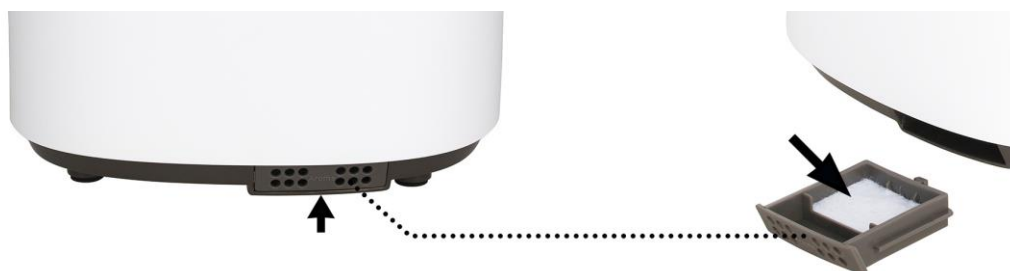
Pièce renfermant un piano : 40-60% RH

Musée, hall d'exposition, et bibliothèque : 40-50% RH

2. Filtre à eau

- 1) Une eau calcaire peut être adoucie avec des billes céramiques.
- 2) Une mauvaise odeur peut être neutralisée avec un filtre céramique dans l'eau.

3. Boîtier aromatique



- 1) Retirez le boîtier aromatique de la base.
- 2) Utilisez une huile aromatique soluble dans l'eau et déposez-la sur le coton.
- 3) Remplacez le boîtier aromatique dans l'humidificateur. La fonction aromatique reste activée lorsque l'humidificateur fonctionne.
- 4) Nettoyez le coton dans le boîtier aromatique pour arrêter la fonction aromatique ou lors du stockage de l'humidificateur.
- 5) Ne déposez l'huile aromatique que sur le coton aromatique. Ne versez aucun liquide sauf de l'eau propre dans le réservoir d'eau ou le bassin.

INSTRUCTIONS D'UTILISATION

Mettez l'appareil à la température ambiante pendant une demi-heure avant de le mettre en marche.

Il est recommandé d'utiliser l'appareil sous une température ambiante inférieure à 20°C et une hygrométrie inférieure à 80% RH.

Utilisez de l'eau d'une température inférieure à 40°C.

Nettoyez le bassin avant utilisation.

Consignes de remplissage



Consignes d'utilisation

1. Posez l'appareil sur une surface plate.
2. Enlevez le couvercle supérieur, remplissez le réservoir d'eau avec de l'eau, puis remplacez le couvercle supérieur. Vous pouvez également retirer le réservoir d'eau pour le remplir d'eau, puis le remettre sur la base principale.
3. Vérifiez que la tension du secteur correspond à la tension nominale de l'appareil, et branchez l'appareil dans une prise électrique. L'affichage à LED clignote une fois et un bip est émis. L'appareil est en mode de veille.
4. Appuyez sur le bouton « ON/OFF » du panneau de commande pour allumer l'appareil. L'appareil commence à fonctionner au niveau « 2 » de sortie du brouillard par défaut. Le témoin lumineux situé en bas de l'appareil passe au bleu. L'affichage à LED affiche l'humidité actuelle et alternativement le niveau de sortie du brouillard.

5. Appuyez sur le bouton « MAX/MIN » pour régler la sortie du brouillard : 1 = niveau faible de sortie du brouillard ; 2 = niveau moyen de sortie du brouillard ; 3 = niveau élevé de sortie du brouillard.
6. Appuyez sur le bouton du « TIMER » (« MINUTERIE ») pour régler la durée de fonctionnement souhaitée entre 1 et 12 heures. (Appuyez sur le bouton jusqu'à ce que l'affichage à LED affiche "— —". Cela signifie que le réglage de la minuterie est annulé.)

L'affichage à LED fait clignoter trois fois la minuterie réglée, puis revient à l'affichage de l'humidité actuelle. La minuterie a été réglée.

Une fois la minuterie réglée, l'affichage à LED affiche l'humidité actuelle, le niveau de sortie du brouillard et la minuterie, puis répète cet affichage en boucle.

Remarque : Vous pouvez également appuyer sur le bouton « TIMER » pendant 2 secondes pour annuler la fonction minuterie pendant le fonctionnement.

7. Appuyez sur le bouton « HUMIDITY » (« HUMIDITÉ ») pour régler l'humidité relative que vous attendez entre 30 % et 90 %. Appuyez une fois ; l'humidité relative augmente de 5 %. (Appuyez sur le bouton jusqu'à ce que l'affichage à LED affiche « Co ». Cela annule le réglage de l'humidité.)

L'affichage à LED fait clignoter trois fois le taux d'humidité attendu, puis retourne à l'affichage de l'humidité actuelle. L'appareil entre dans la fonction humidité constante.

Sous la fonction d'humidité constante, le niveau de sortie du brouillard n'est pas réglable. L'appareil se règle automatiquement.

- Lorsque l'humidité attendue est supérieure d'un taux de 16 % d'humidité relative à l'humidité actuelle, l'appareil fonctionne au niveau de sortie du brouillard 3.
- Lorsque l'humidité attendue est supérieure d'un taux compris entre 10 % et 15 % d'humidité relative à l'humidité actuelle, l'appareil fonctionne au niveau de sortie du brouillard 2.
- Lorsque l'humidité attendue est supérieure d'un taux compris entre 1 % et 9 % d'humidité relative à l'humidité actuelle, l'appareil fonctionne au niveau de sortie du brouillard 1.
- Lorsque l'humidité attendue est inférieure à l'humidité actuelle, l'appareil est en veille.

Une fois que l'humidité attendue est définie, l'affichage à LED affiche l'humidité actuelle, l'humidité attendue (clignotement lent) et la minuterie (si réglée), puis répète l'affichage en boucle.

Remarque : Pendant le fonctionnement, appuyez sur le bouton « HUMIDITY » pendant 2 secondes, l'appareil entre en mode nuit. Le témoin lumineux situé sur la partie inférieure de l'appareil s'éteint, ainsi que l'affichage à LED. Appuyez à nouveau longuement pour sortir du mode nuit.

Fonction d'arrêt automatique

Une fois qu'il y a trop peu d'eau dans le bassin pour faire fonctionner l'humidificateur, ce dernier s'arrête de fonctionner automatiquement. Le témoin lumineux situé en bas de l'appareil passe au rouge. Remplissez le réservoir d'eau, et appuyez à nouveau sur le bouton on/off pour redémarrer. Le témoin rouge passe au bleu.

ENTRETIEN

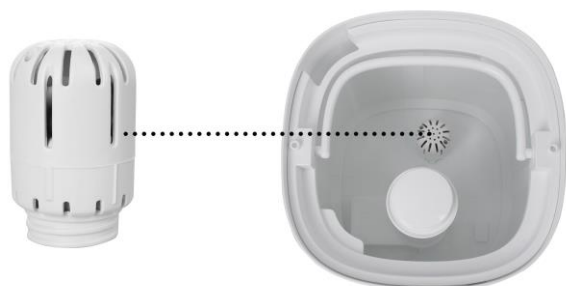
Au cas où l'eau serait calcaire, c'est à dire au cas où elle contiendrait trop de calcium et de magnésium, elle pourrait provoquer des problèmes de "poudre blanche (tartre)" et engendrer d'importants dépôts sur la surface du bassin, du transducteur, et sur la surface intérieure du réservoir d'eau. Les dépôts sur la surface du transducteur peuvent en altérer le bon fonctionnement.

Nos recommandations :

- 1) Utilisez de l'eau bouillie refroidie ou de l'eau distillée.
- 2) Nettoyez le transducteur, le réservoir d'eau et le bassin toutes les semaines.
- 3) Changez fréquemment l'eau du réservoir pour éviter tout phénomène de "poudre blanche" / tartre.
- 4) Assurez-vous de vider l'eau du réservoir et de sécher le bassin avant de stocker l'appareil pendant une longue période.
- 5) Nettoyez tout l'appareil, et assurez-vous que tous ses éléments sont secs avant utilisation.

S'il y a une fuite du fond du réservoir sur la partie où se trouve le ressort, appuyez et relâchez le ressort plusieurs fois pour éliminer les résidus calcaires qui peuvent causer la fuite.

Comment nettoyer le système de filtre :



- 1) Nettoyez le filtre en céramique après un usage régulier allant jusqu'à une consommation de 1000 L. Le filtre a besoin d'être nettoyé plus fréquemment en fonction de la qualité de l'eau, si les billes en céramique sont sales.
- 2) Vous pouvez le plonger dans du vinaigre pendant 5 minutes. Puis, rincez-le avec de l'eau propre.
- 3) Placez le filtre au soleil pendant 4 à 6 heures.
- 4) Vous pouvez acheter des filtres de rechange sur le site www.buyspareparts.eu

Comment nettoyer le transducteur :

- 1) Déposez 5-10 gouttes d'agent anticalcaire ou d'acide citrique sur la surface du transducteur ; attendez 2-5 minutes.
- 2) Brossez la surface du transducteur puis rincez-le à l'eau.

Comment nettoyer le bassin :

- 1) Essuyez le bassin à l'aide d'un chiffon doux puis utilisez un agent anticalcaire ou de l'acide citrique.
- 2) Si du tartre se dépose sur la surface de la cuvette, utilisez un agent détartrant ou de l'acide citrique et une brosse pour éliminer les dépôts.
- 3) Rincez le bassin à l'eau.

GUIDE DE DÉPANNAGE

En cas de problème en cours d'utilisation normale, veuillez vous reporter aux points suivants :

Problème	Causes possibles	Solutions possibles
Humidité sur le sol autour de l'appareil	L'appareil est réglé sur une position trop élevée, l'air ne peut pas absorber l'humidité produite qui retombe sous forme de pluie.	Réduisez la production d'humidité.
Le brouillard a une odeur anormale	Les plastiques sont susceptibles de sentir lors des premières utilisations	Retirez le réservoir d'eau, ouvrez le couvercle, laissez reposer au frais pendant 12 heures.
	Eau sale ou croupissante.	Nettoyez le réservoir, remplissez-le avec de l'eau claire.
	Odeur résiduelle provenant de la diffusion d'huile aromatique sur le coton aromatique.	Enlevez le coton aromatique, rincez-le sous l'eau propre et laissez-le sécher.
Production de brouillard insuffisante	Trop de dépôt dans le bassin.	Nettoyez le transducteur ainsi que le bassin

	L'eau est trop sale ou est restée trop longtemps dans le réservoir.	Nettoyez le réservoir, remplissez-le avec de l'eau claire.
	La buse peut être bloquée.	Enlevez tout élément bloquant de la buse.
	Il y a un renouvellement d'air naturel ou artificiel dans la pièce qui interfère avec l'augmentation du % d'humidité relative.	Vérifiez si les portes et les fenêtres sont fermées.
Vérifiez si n'y a pas de climatisation qui fonctionne dans la pièce.		
Bruit anormal	Son résonant dans le réservoir d'eau lorsque le niveau est trop bas.	Remplissez le réservoir d'eau
	L'appareil se trouve sur une surface instable	Déplacez l'appareil sur une surface plate et stable.
Il y a de la condensation dans la pièce.	La température ambiante est trop basse.	Chauffez la pièce.
Le brouillard s'arrête soudainement de sortir.	Le témoin lumineux est rouge.	Remplissez à nouveau de réservoir d'eau.
	Le délai programmé est écoulé.	Allumez l'humidificateur.
	Le niveau cible de l'humidité est atteint.	----
Le panneau de commande ne fonctionne pas.	Les mains sont trop mouillées pour faire fonctionner le panneau de commande.	Gardez les mains sèches lorsque vous faites fonctionner le panneau de commande.
De la poussière blanche apparaît autour de l'humidificateur.	L'eau utilisée présente une teneur en minéraux élevée.	Utilisez de l'eau distillée avec l'humidificateur. Si vous n'avez pas d'eau distillée à votre disposition, utilisez de l'eau purifiée ou de l'eau filtrée. Rappelez-vous de nettoyer le réservoir d'eau au moins une fois par semaine.
	L'humidificateur n'a pas été correctement nettoyé après la dernière utilisation.	Nettoyez l'humidificateur.
Le témoin lumineux est bleu lorsque l'appareil est allumé, mais aucun brouillard ne sort.	L'humidité cible est atteinte.	Augmentez l'humidité cible.
Le témoin lumineux est rouge.	Pas d'eau dans le réservoir.	Remplissez le réservoir et attendez au moins 1 minute.
	Le niveau d'eau est faible.	
	Le niveau d'eau requis n'a pas encore atteint le bassin.	Attendez au moins 1 minute.
	Le réservoir d'eau n'est pas bien positionné.	Vérifiez le positionnement du réservoir sur la base.
	L'humidificateur ne se trouve pas sur une surface plane.	Vérifiez le positionnement de l'humidificateur.

DONNÉES TECHNIQUES

Tension d'opération: 220V-240V ~ 50Hz/60Hz

Consommation énergétique: 30W

GARANTIE ET SERVICE APRÈS-VENTE


Nos appareils sont soumis à un contrôle de qualité strict avant d'être livrés. Si l'appareil a toutefois été endommagé lors de la production ou du transport en dépit des soins que nous lui donnons, retournez l'appareil au vendeur. En plus des droits juridiques, le client a la possibilité dans les limites de la garantie de déposer les réclamations suivantes:

Nous offrons une garantie de 2 ans pour l'appareil acheté à partir de la date de vente. Les défauts dus à une utilisation non conforme de l'appareil et les dommages dus à une intervention ou réparation faite par une tierce personne ou dus à l'installation de pièces qui ne sont pas d'origine ne sont pas couverts par cette garantie. Conservez toujours votre reçu, car sans celui-ci vous ne pourrez réclamer aucune sorte de garantie. Les dommages causés par le non respect des instructions de ce manuel rendront la garantie caduque, Nous décline toute responsabilité en cas de dommages indirects. Nous décline toute responsabilité en cas de dégâts matériels ou de dommages corporels causés par une utilisation inappropriée ou si les instructions de sécurité n'ont pas été convenablement observées. Si les accessoires sont endommagés, cela ne signifie pas que toute la machine sera remplacée gratuitement. Dans de tels cas, veuillez contacter notre assistance. Des pièces brisées en verre ou en plastique sont toujours sujettes à des frais. Les défauts des consommables ou des pièces susceptibles de s'user, ainsi que le nettoyage, l'entretien ou la réparation desdites pièces ne sont pas couverts par la garantie et doivent donc être payés.

APPAREIL RESPECTUEUX DE L'ENVIRONNEMENT



Recyclage – Directive européenne 2012/19/EU

Ce symbole indique que le produit ne doit pas être jeté avec les ordures ménagères. Pour limiter les risques pour l'environnement et la santé entraînés par le rejet non contrôlé des déchets, recyclez ce  dernier pour promouvoir une réutilisation responsable de ses matériaux. Pour recycler votre produit, utilisez les réseaux de collecte de votre région ou prenez contact avec le revendeur du produit. Ce dernier pourra vous aider à le recycler.

Emerio Deutschland GmbH (no service address)

Lerchenweg 3

40789 Monheim am Rhein

Deutschland

Service à la clientèle:

T: +49 (0) 3222 1097 600

E: info.de@emerio.eu

SÄKERHETSANVISNINGAR

Före användning och för att att erhålla bästa resultat från apparaten, var noga med att läsa igenom alla instruktioner nedan för att undvika skada på person eller egendom. Se till att förvara denna bruksanvisning på en säker plats. Om du ger bort eller överlåter denna apparat till någon, se till att även inkludera denna bruksanvisning.

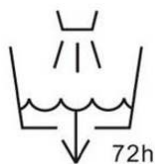
Vid skador som orsakats av att användaren inte följer instruktionerna i denna bruksanvisning ogiltighetsförklaras garantin. Tillverkaren/importören tar inget ansvar för skador som orsakats av underlåtenhet att följa bruksanvisningen, vid en vårdslös användning eller användning som inte är i enlighet med kraven i denna bruksanvisning.

1. Läs igenom och spara dessa instruktioner. Obs! Bilderna häri är endast för referens.
2. Denna apparat får användas av barn från 8 års ålder, personer med nedsatt fysisk, sensorisk eller mental förmåga eller personer med brist på erfarenhet och kunskap om de övervakas eller fått instruktioner angående användningen av apparaten på ett säkert sätt och förstår riskerna.
3. Barn får inte leka med apparaten.
4. Rengöring och underhåll av apparaten får inte göras av barn utan vuxens tillsyn.
5. Denna apparat är avsedd för användning i hemmet och liknande tillämpningar.
6. Koppla alltid ifrån apparaten under påfyllning och rengöring.
7. Beträffande underhåll, påfyllning, rengöring och avkalkning av apparaten, se relaterade avsnitt i manualen.
8. Om sladden är skadad måste den bytas ut av tillverkaren, en av tillverkarens godkända reparatörer eller liknande kvalificerad person för att undvika faror.
9. Innan du ansluter strömkontakten till eluttaget, kontrollera att spänningen och frekvensen överensstämmer med specifikationerna på märkplåten.

10. Dra ut strömkontakten från eluttaget när apparaten inte används och före rengöring.
11. Säkerställ att strömkabeln inte hänger över någon skarp kant och håll den borta från varma föremål och öppen eld.
12. Du får inte koppla in eller dra ut apparaten från eluttaget med blöta händer.
13. Försök aldrig att öppna apparatens hölje eller reparera den själv. Det kan orsaka elektriska stötar.
14. Tillsätt inga rengöringsmedel eller kemiska lösningar i apparaten.
15. Håll rengöringsmedel och kemiska lösningar utom räckhåll för barn.
16. Om det uppstår någon onormal lukt under normal användning, stäng av och koppla ifrån strömanslutningen och be en kvalificerad tekniker om hjälp med reparation.
17. Vidrör inte vattnet i vattenbehållaren eller komponenter i vattnet när enheten arbetar.
18. Slå inte på apparaten utan vatten i vattenbehållaren.
19. Skrapa inte transduktorn medvetet.
20. Rengör inte transduktorn med rengöringsmedel eller kemiska lösningar.
21. Endast för hushållsbruk.
22. När apparaten flyttas, lyft i bottenplattan, inte i vattenbehållaren.
23. Lägg inte föremål såsom kläder eller handdukar ovanpå apparaten. Om munstycket är tilltäppt kan det orsaka funktionsfel.
24. Använd aldrig apparaten i ett rum där aerosolprodukten (sprej) används eller i ett rum där syre hanteras.
25. Stäng av apparaten och koppla ifrån den innan vattenbehållaren tas bort och enheten flyttas.
26. Överdriven luftfuktighet i ett rum kan orsaka vattenkondensation på fönster och vissa möbler. Om detta händer, stäng av apparaten.
27. Placera aldrig stommen under rinnande vatten eller sänk ned den i vätska.
28. Placera alltid luftfuktaren på en hård, plan och jämn yta. Undvik att utsätta apparaten för direkt solljus och ställ

den aldrig nära väggen eller i närheten av värmekällor, till exempel ugnar och värmeelement. Varning: Luftfuktaren kanske inte fungerar korrekt om den inte placeras på en plan yta.

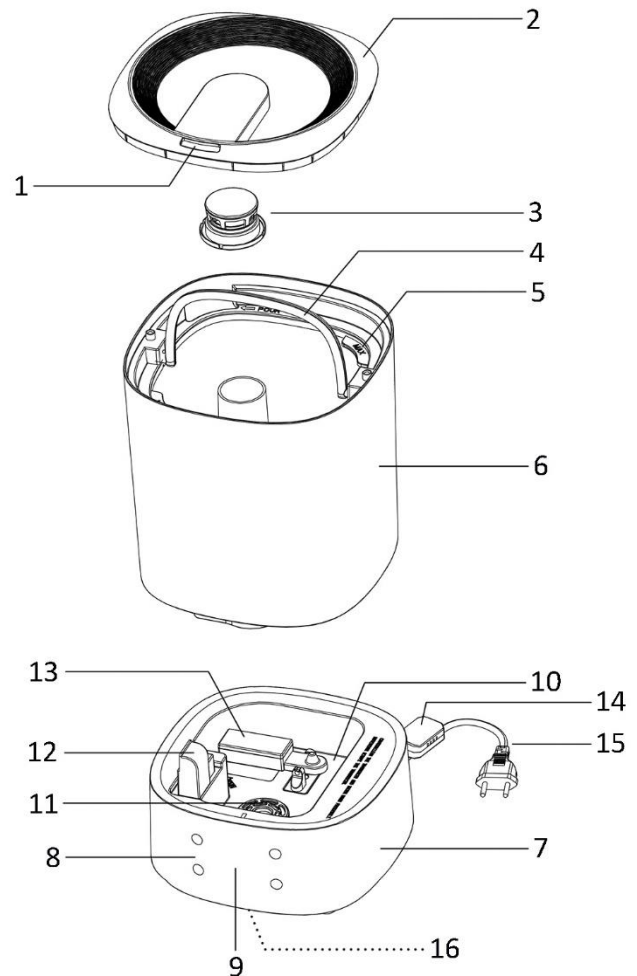
29. Fyll behållaren med färskt, destillerat eller avmineraliserat vatten. Häll aldrig någon annan vätska i vattenbehållaren och vattenskålen.
30. Skaka inte luftfuktaren eftersom det kan göra att vatten spills över in i bottenplattan på luftfuktaren.
31. Häll aldrig hett vatten i behållaren, d.v.s. med en temperatur som överstiger 40 °C.
32. Den optimala relativa luftfuktigheten för människor ligger mellan 45% och 65%. Om luftfuktigheten är för hög bildas kondens på kalla ytor eller kalla väggar i rummet. För att mäta rummets luftfuktighet korrekt ska du använda en hygrometer som kan köpas i de flesta specialistbutiker eller stora varuhus.
33. Var medveten om att höga luftfuktighetsnivåer stimulerar tillväxt av biologiska organismer i miljön.
34. Låt inte området runt luftfuktaren bli fuktig eller våt. Om fuktighet uppstår, stäng av utmatningen från luftfuktaren. Om luftfuktarens utmatade volym inte kan sänkas kommer gardiner, draperier eller bordsdukar att bli fuktiga. Låt inte sugande material såsom mattor, gardiner, draperier eller bordsdukar bli fuktiga.
35. Koppla ifrån apparaten under påfyllning och rengöring.
36. Lämna aldrig kvar vatten i behållaren när apparaten inte används.
37. Töm och rengör luftfuktaren innan förvaring. Rengör luftfuktaren innan nästa användning.
38. Varning: Mikroorganismer som kan finnas i vattnet eller i miljön där apparaten används eller förvaras, kan utvecklas i vattenbehållaren och blåsas ut i luften och orsaka allvarliga hälsorisker när vattnet inte byts ut och behållaren inte rengörs ordentligt var tredje dag.



39. Rengör vattenbehållaren var tredje dag

DELAR

1. Munstycke
2. Topphölje
3. Lock fuktdisblock
4. Handtag
5. Ram vattenbehållare (markerad med korrekt riktning för att hälla i vattnet: ← **POUR (HÄLL)**; maximal vattennivå: **MAX**)
6. Vattenbehållare
7. Bottenplatta
8. Kontrollpanel
9. LED-display
10. Vattenskål
11. Transduktor
12. Luftutlopp
13. Flottör
14. Sensor
15. Strömsladd och kontakt
16. Indikatorlampa

**Kontrollpanel**

1. Strömbrytare
2. Knapp fuktdisutmatning
3. Timer-knapp
4. Luftfuktighetsknapp

FUNKTION**1. Inställning relativ luftfuktighet**

Relativ luftfuktighet i olika miljöer som är lämplig för människor:

Badrum, vardagsrum: 45-65%RH

Patientrum: 40–55 % RH

Rum med tekniks utrustning: 45–60 % RH

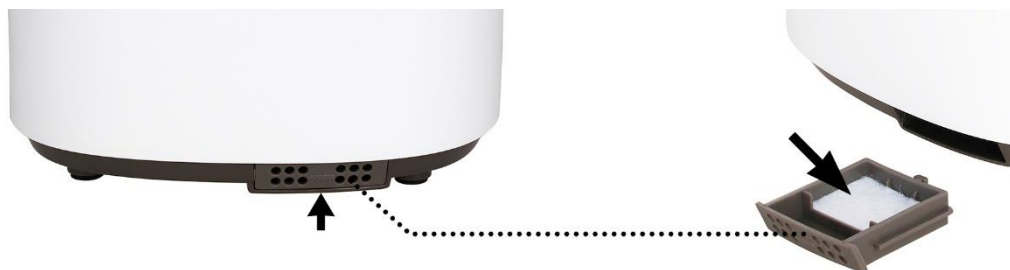
Rum med piano: 40–60 % RH

Museum, utställningshall och bibliotek: 40 - 50 % RH

2. Vattenfilter

- 1) Hårt vatten kan göras mjukt med keramiska bollar.
- 2) Keramiska filter i vattnet kan ta dålig lukt i vattnet.

3. Doftdosa



- 1) Tryck ut doftdosan från bottenplattan.
- 2) Använd vattenlöslig eterisk olja och droppa den på doftkudden.
- 3) Sätt tillbaka doftdosan i luftfuktaren. Den eteriska funktionen kommer att förbli på när luftfuktaren körs.
- 4) För att stoppa den eteriska funktionen eller vid förvaring av luftfuktaren, rengör doftkudden i doftdosan.
- 5) Droppa endast eterisk olja på doftkudden. Håll aldrig någon annan vätska än rent vatten i vattenbehållaren och vattenskålen.

ANVÄNDNING

Innan användning, låt enheten stå i rumstemperatur i en halvtimme innan start.

Det rekommenderas att använda enheten vid temperaturer under temperatur på ungefär 20 °C och med en relativ luftfuktighet under 80 %.

Använd vatten under 40 °C.

Rengör vattenskålen innan användning.

Påfyllningsinstruktion



Användarinstruktion

1. Placera apparaten på en plan yta.
2. Ta av locket, häll vatten i vattenbehållaren och sätt tillbaka locket igen. Alternativt, ta ut vattenbehållaren för att fylla på vatten, sätt därefter tillbaka vattenbehållaren i huvudbasplattan.
3. Kontrollera att den angivna nätspanningen för apparaten stämmer med vägguttagets nätspanning och sätt i kontakten. LED-displayen kommer att blinka en gång och ett pip ljud kommer att höras. Apparaten är i standbyläge.
4. Tryck på knappen "ON/OFF" på kontrollpanelen för att starta apparaten. Apparaten börjar arbeta med fuktdisutmatning nivå "2" som standard. Indikatorlampan längst ned på enheten lyser blå. LED-displayen visar nuvarande luftfuktighet och utmatningsnivån av fuktdiset alternerande.

5. Peka på knappen "MAX/MIN" för att justera fuktdisutmatningen: 1 = låg nivå på fuktdisutmatningen; 2 = medium nivå på fuktdisutmatningen; 3 = hög nivå på fuktdisutmatningen.
6. Tryck på knappen "TIMER" för att ställa in önskad drifttid från 01 till 12 timmar. (Peka på knappen tills LED-displayen visar "— —". Det betyder avbryt timerinställningen.)

LED-displayen kommer att blinka med den inställda timern tre gånger och sedan återgå till att visa nuvarande luftfuktighet. Timern har ställts in.

När timern är inställd kommer LED-displayen att visa nuvarande luftfuktighet, fuktdisutmatningen och timern och sedan upprepa cirkulerande.

Notera: Du kan också med en lång tryckning på knappen "TIMER" i två sekunder avbryta timerfunktionen under arbetet.

7. Peka på knappen "HUMIDITY" för att ställa in förväntad luftfuktighet från 30 % RH till 90 % RH. Peka en gång och den kommer att öka med 5 % RH. (Peka på knappen tills LED-displayen visar "Co". Det betyder avbryt luftfuktighetsinställningen.)

LED-displayen kommer att blinka med den förväntade luftfuktigheten tre gånger och sedan återgå till att visa nuvarande luftfuktighet. Apparaten går in i konstant luftfuktighetsfunktion.

Under konstant luftfuktighetsfunktion kommer utmatningsnivån för fuktdis inte att vara justerbar. Apparaten kommer att justera den automatiskt.

- När den förväntade fuktigheten är 16 % RH högre än nuvarande luftfuktighet kommer apparaten att arbeta med fuktdisutmatning i nivå 3.
- När den förväntade fuktigheten är 10 % - 15 % RH högre än nuvarande luftfuktighet kommer apparaten att arbeta med fuktdisutmatning i nivå 2.
- När den förväntade luftfuktigheten är 1 % - 9 % RH högre än nuvarande luftfuktighet kommer apparaten att arbeta med nivå 1.
- När den förväntade luftfuktigheten är mindre än nuvarande luftfuktighet kommer apparaten att vara i viloläge.

När den förväntade luftfuktigheten är inställd kommer LED-displayen att visa nuvarande luftfuktighet, den förväntade luftfuktigheten (långsam blinkande) och timern (om inställd) och sedan upprepa cirkulerande.

Notera: Under arbetet kommer en lång tryckning i 2 sekunder på knappen "HUMIDITY" försätta apparaten i nattläge. Indikatorlampan i underkant på enheten kommer att slockna samt LED-displayen. Lång tryckning igen för att lämna nattläget.

Automatisk avstängningsfunktion

När vattennivån i skålen är alltför låg för att luftfuktaren skall kunna arbeta kommer luftfuktaren automatiskt att sluta arbeta. Indikatorlampan längst ned på enheten kommer att lysa röd. Fyll vattenbehållaren och peka på on/off-knappen igen för att starta igen. Den röda lampan kommer att ändras till blå.

UNDERHÅLL

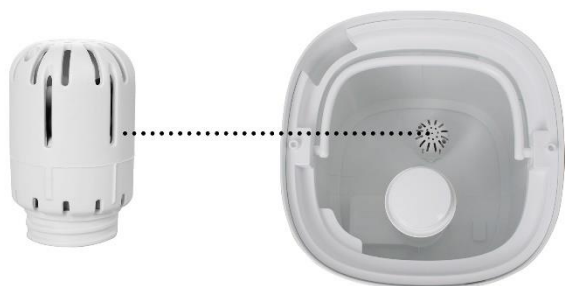
Om du använder hårt vatten med höga halter av kalcium och magnesium kan en vit beläggning – kalkavlagringar – bildas på vattenskålen, transduktorn och insidan av vattenbehållaren. Kalkavlagringar på transduktorn kan göra att luftfuktaren inte fungerar korrekt.

För att undvika problem rekommenderar vi att du:

- 1) Använder avsvanat, kokt vatten eller destillerat vatten.
- 2) Rengör transduktorn, vattenbehållaren och vattenskålen en gång i veckan.
- 3) Byter vatten i vattenbehållaren regelbundet för att undvika att beläggningar bildas.
- 4) Se till att tömma ut vattnet från vattenbehållaren och tömma vattenskålen innan enheten förvaras under en längre tid.
- 5) Rengör hela enheten och ser till att alla delar är helt torra innan användning.

När det finns läckage från undersidan av behållaren, från där fjädern finns, tryck och släpp fjädern några gånger för att ta bort kalkrester som kan orsaka läckaget.

Hur filtersystemet rengörs:



- 1) Rengör den keramiska filtret regelbundet efter att 1000 liter vatten använts. Beroende på vattenkvaliteten, och om det finns smuts och avlagringar på keramikkulorna, kan filtret behöva rengöras oftare.
- 2) Låt filtret ligga i ättika i cirka 5 minuter. Skölj av det med rent vatten.
- 3) Låt filtret torka i solen i 4–6 timmar.
- 4) Du kan köpa utbytesfilter på www.buyspareparts.eu

Så rengör du transduktorn:

- 1) Häll 5–10 droppar avkalkningsmedel eller citronsyra på transduktorns yta och låt det verka i 2–5 minuter.
- 2) Borsta ytan och skölj av transduktorn med rent vatten.

Så rengör du vattenskålen:

- 1) Torka ur vattenskålen med en mjuk trasa och använd ett avkalkningsmedel eller citronsyra för att ta bort kalkavlagringar.
- 2) Om kalkavlagringarna täcker någon plats på vattenskålen, droppa avkalkningsmedel eller citronsyra på kalkavlagringen och rengör med en borste.
- 3) Skölj vattenskålen med vatten.

FELSÖKNINGSGUIDE

Nedan beskrivs de problem som kan uppstå vid normal drift och möjliga orsaker och lösningar:

Problem	Möjlig orsak	Möjliga lösningar
Fukt på golvet runt enheten.	Enheter är alltför högt inställd, luften kan inte absorbera den utdrivna luftfuktigheten och den kommer att regna ned.	Minska fuktavdunstningen.
Fuktdisen luktar onormalt.	Plast kan lukta vid första användningen.	Ta loss vattenbehållaren. öppna locket och låt den stå kallt i 12 timmar.
	Smutsigt vatten eller stillastående vatten under lång tid.	Rengör vattenbehållaren och fyll på med rent vatten.
	Kvardröjande lukt från eteriska oljor eller doftkudden.	Ta bort doftkudden, skölj den i rent vatten och låt den torka.
Otillräckligt fuktdisavdunstning.	För mycket sediment i vattenskålen.	Rengör transduktorn och vattenskålen
	Vattnet är alltför smutsigt eller förvarats alltför länge i behållaren.	Rengör vattenbehållaren och fyll på med nytt, rent vatten.
	Munstycket kan vara blockerat.	Kontrollera munstycket och ta bort eventuella föremål som kan blockera.
	Det finns ett lufttillflöde i rummet, via en öppning eller	Kontrollera att dörrar och fönster är stängda.

	luftkonditionering, som påverkar den relativa luftfuktigheten.	Kontrollera om luftkonditioneringen i rummet är på.
Onormalt buller	Resonansljud i vattenbehållaren när vattennivån är alltför låg.	Fyll på vatten i vattenbehållaren
	Enheten står ostadigt.	Flytta enheten till en plan och stadig yta.
Det är kondens i rummet.	Det är för kallt i rummet.	Öka värmen i rummet.
Det kommer ingen fuktdis.	Indikatorlampan lyser röd.	Fyll på vattenbehållaren.
	Den programmerade timerperioden är slut.	Slå på luftfuktaren.
	Målnivån för luftfuktigheten har uppnåtts.	— —
Kontrollpanelen fungerar inte.	Händerna är alltför våta när kontrollpanelen hanteras.	Håll händerna torra när kontrollpanelen hanteras.
Det finns vitt damm runt luftfuktaren.	Det vatten som används har en för hög mineralhalt.	Använd destillerat vatten till vattenbehållaren. Om du inte har tillgång till destillerat vatten kan du använd renat eller filtrerat vatten. Kom ihåg att rengöra vattenbehållaren minst en gång i veckan.
	Luftfuktaren har inte rengjorts ordentligt efter senaste användningen.	Rengör luftfuktaren.
Indikatorlampan lyser blå när enheten slås på men ingen fuktdimma kommer ut.	Inställd luftfuktighet har uppnåtts.	Öka målet för luftfuktigheten.
Indikatorlampan lyser röd.	Vattenbehållaren är tom.	Fyll på vatten och vänta i minst en minut.
	Det är för lite vatten i behållaren.	
	Den mängd vatten som krävs har inte hunnit rinna ned i vattenskålen.	Vänta i minst en minut.
	Vattenbehållaren är inte korrekt placerad.	Kontrollera om vattenbehållaren är korrekt placerad på bottenplattan.
	Luftfuktaren står inte på en plan yta.	Se till att luftfuktaren står på en plan och stadig yta.

TEKNISKA DATA

Driftsspänning: 220V-240V ~ 50Hz/60Hz

Strömförbrukning: 30W

GARANTI OCH KUNDTJÄNST

Innan leverans genomgår våra apparater en sträng kvalitetskontroll. Om trots detta någon skada skulle uppstått vid produktionen eller vid transporten, ber vi dig att ta med apparaten tillbaka till inköpsstället. Förutom de i lag fastställda garantianspråken har köparen möjlighet att göra gällande följande anspråk på garanti:

För den köpta apparaten ges 2 års garanti, med början på inköpsdagen.

Brister som uppstår genom felaktig hantering av apparaten och fel som uppstår genom ingrepp och reparationer av tredje man eller montering av främmande delar, omfattas ej av vår garanti. Behåll alltid ditt kvitto då det är din garanti vid eventuell reklamation. Skador som uppstår p.g.a. att instruktionsmanualen inte följs ogiltigförklarar garantin och om detta leder till påföljande skador så kan inte vi hållas ansvariga. Vi kan inte hållas ansvariga för materiella skador eller personskador som orsakas av felaktig användning eller om inte säkerhetsföreskrifterna följs. Skador på tillbehören innebär inte per automatik ersättning av hela apparaten. I sådana fall ska du kontakta vår kundservice. Trasigt glas och trasiga plastdelar innebär alltid en kostnad. Defekter på förbrukningsartiklar eller slitdelar och även skador orsakade av rengöring, underhåll eller byte av tidigare nämnda delar täcks inte av garantin och ska således betalas av ägaren.

MILJÖVÄNLIG KASSERING



Återvinning - EU-direktiv 2012/19/EU

Denna markering indikerar att produkten inte får kastas tillsammans med övrigt hushållsavfall. För att förhindra eventuell skada på miljön eller människors hälsa på grund av okontrollerad avfallshantering, återvinns de på ett ansvarsfullt sätt som främjar en hållbar återanvändning av materiella resurser. För att återlämna den använda enheten, använd retur- och insamlingsystem eller kontakta återförsäljaren där produkten var köpt. De kan ta denna produkt för miljösäker återvinning.

Emerio Deutschland GmbH (no service address)

Lerchenweg 3

40789 Monheim am Rhein

Deutschland

Kundservice:

T: +49 (0) 3222 1097 600

E: info.de@emerio.eu

VEILIGHEIDSVOORSCHRIFTEN

Voor gebruik dient u alle onderstaande instructies te lezen om letsel en schade te voorkomen en om de beste resultaten met het apparaat te bereiken. Bewaar deze handleiding op een veilige plek. Mocht u dit apparaat aan iemand anders overhandigen, dient u ook de gebruiksaanwijzing te overhandigen.

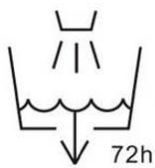
In geval van schade die wordt veroorzaakt doordat de gebruiker de instructies in deze gebruiksaanwijzing niet in acht heeft genomen, komt de garantie te vervallen. De fabrikant/importeur is niet aansprakelijk voor schade die wordt veroorzaakt door het niet in acht nemen van de gebruiksaanwijzing, door nalatig gebruik of gebruik dat niet in overeenstemming is met de bepalingen van deze gebruiksaanwijzing.

1. Lees en bewaar deze gebruiksaanwijzing. Opgelet: de afbeeldingen in de gebruiksaanwijzing zijn louter indicatief.
2. Dit toestel mag gebruikt worden door kinderen vanaf de leeftijd van 8 jaar en door personen met verminderde fysieke, zintuiglijke of mentale capaciteiten of met gebrek aan ervaring of kennis, indien zij onder het toezicht staan of gebruiksinstructies voor het veilig gebruik van dit toestel gekregen hebben en de mogelijke gevaren begrijpen.
3. Kinderen mogen niet met dit toestel spelen.
4. Kinderen die niet onder toezicht staan, mogen dit apparaat niet reinigen of onderhouden.
5. Dit apparaat is bestemd voor huishoudelijk gebruik en gelijksoortige toepassingen.
6. Haal de stekker uit het stopcontact voordat u het apparaat vult of reinigt.

7. Zie de desbetreffende paragrafen van de gebruiksaanwijzing voor meer informatie over het onderhoud, het vullen, reinigen en ontkalken van het apparaat.
8. Als het stroomsnoer beschadigd is, dan moet het vervangen worden door de fabrikant, diens dealer of een gekwalificeerde technicus om risico's te voorkomen.
9. Voordat u de stekker in het stopcontact steekt, controleer of de spanning en frequentie overeenstemmen met de gegevens vermeld op het typeplaatje.
10. Haal de stekker uit het stopcontact wanneer het apparaat niet wordt gebruikt en voor reiniging.
11. Zorg dat het snoer niet over scherpe randen hangt en houd het uit de buurt van hete voorwerpen en open vlammen.
12. Steek/haal de stekker niet met natte handen in/uit het stopcontact.
13. Probeer nooit om de behuizing van het apparaat te openen en repareer het apparaat niet zelf. Dit kan een elektrische schok veroorzaken.
14. Geen detergents of chemische oplossingen aan het apparaat toevoegen.
15. Detergents en chemische oplossingen buiten het bereik van kinderen houden.
16. Als er een abnormale geur tijdens de normale werking ontstaat, apparaat uitschakelen, uit het stopcontact trekken en een gekwalificeerd technicus raadplegen.
17. Water in de watertank & onderdelen in het water niet aanraken terwijl het apparaat in werking is.
18. Gebruik het apparaat nooit zonder water in het waterreservoir.
19. Omzetter niet willekeurig schrappen.
20. Omzetter niet met detergents of chemische oplossingen reinigen.
21. Alleen voor huishoudelijk gebruik binnenshuis.

22. Als u het apparaat verplaatst, houd het vast bij het voetstuk en niet bij het waterreservoir.
23. Leg geen items, zoals kleding of handdoeken op het apparaat. Een verstopt mondstuk kan tot een defect leiden.
24. Gebruik dit apparaat nooit in een ruimte waar spuitbussen (sprays) worden gebruikt of zuurstof wordt toegediend.
25. Schakel het apparaat uit en trek de stekker uit het stopcontact voordat u het water uit het waterreservoir haalt en het apparaat beweegt.
26. Te veel vocht in een kamer kan condenswater aan het raam of zelfs meubelen veroorzaken. Als dat het geval is, dient u het apparaat uit te schakelen.
27. Houd de behuizing nooit onder stromend water en dompel het niet onder in vloeistoffen.
28. Plaats de luchtbevochtiger altijd op een harde, effen en vlakke ondergrond. Vermijd blootstelling aan zonlicht en houd het apparaat altijd uit de buurt van muren en warmtebronnen, zoals fornuizen, verwarmingstoestellen, etc. Waarschuwing: De luchtbevochtiger kan niet juist werken wanneer het niet op een effen ondergrond is geplaatst.
29. Vul het waterreservoir met vers, gedistilleerd of gedemineraliseerd water. Doe geen andere vloeistof in het waterreservoir of de waterbak.
30. Schud de luchtbevochtiger niet, dit kan het morsen van water in de basis van de luchtbevochtiger veroorzaken.
31. Giet geen heet water in het reservoir, d.w.z. een temperatuur van meer dan 40°C.
32. De ideale relatieve vochtigheidsgraad voor menselijk comfort is tussen 45% en 65%. Een hoge vochtigheidsgraad verschijnt in de vorm van condensatie op koude oppervlakken of wanden in de kamer. Om de vochtigheidsgraad van een kamer juist te meten, koop een hygrometer te vinden bij de meeste speciaalzaken of hypermarkten.

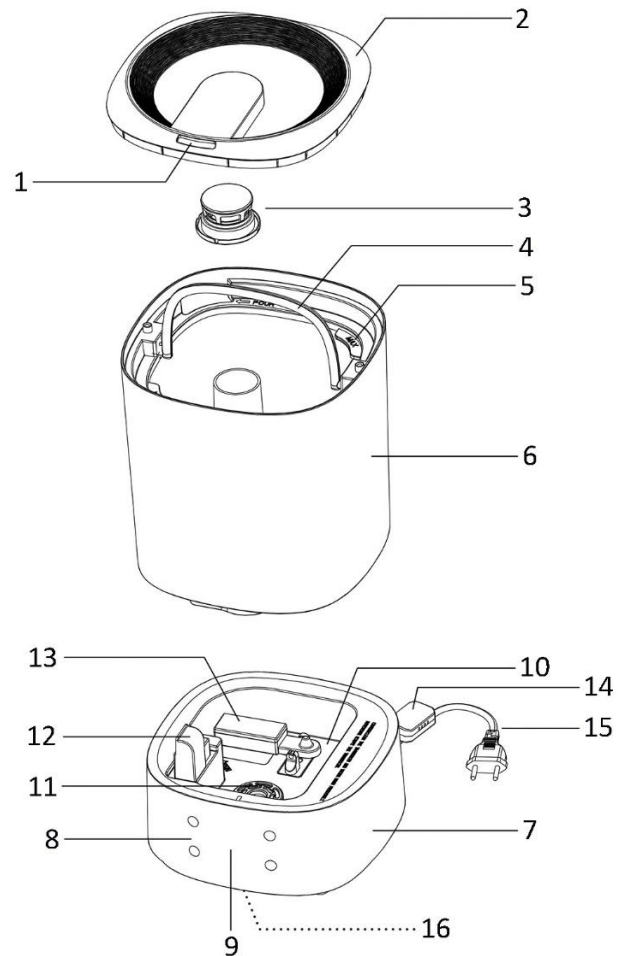
33. Opgelet, een hoge vochtigheidsgraad kan leiden tot de aangroei van biologische organismen in de omgeving.
34. Voorkom dat het gebied rond de luchtbevochtiger vochtig of nat wordt. Als vochtigheid optreedt, verlaag de uitvoer van de luchtbevochtiger. Als het uitvoervolume van de luchtbevochtiger niet verlaagd kan worden, gebruik de luchtbevochtiger met tussenpozen. Zorg dat er geen absorberende materialen, zoals tapijten, gordijnen of tafelkleden, vochtig worden.
35. Trek de stekker uit het stopcontact tijdens het vullen en reinigen van het apparaat.
36. Laat nooit water in het reservoir achter wanneer het apparaat niet wordt gebruikt.
37. Leeg en reinig de luchtbevochtiger voordat het wordt opgeborgen. Reinig de luchtbevochtiger voor het volgend gebruik.
38. Waarschuwing: Micro-organismen, die in het water of de omgeving aanwezig zijn wanneer het apparaat wordt gebruikt of opgeborgen, kunnen in het waterreservoir aangroeien en in de lucht worden geblazen. Dit kan ernstig gevaar voor de gezondheid opleveren wanneer het water niet om de 3 dagen wordt verversed en het reservoir niet juist wordt schoongemaakt.



39. Reinig het waterreservoir elke drie dagen

ONDERDELEN

1. Sproeikop
2. Deksel
3. Nevelblokkeringskap
4. Handvat
5. Waterreservoirframe (gemarkeerd met de juiste richting om het water te gieten: ← **POUR**; het max. waterpeil: **MAX**)
6. Waterreservoir
7. Basis
8. Bedieningspaneel
9. LED-scherm
10. Waterbak
11. Omzetter
12. Luchtuitlaat
13. Boei
14. Sensor
15. Snoer en stekker
16. Controlelampje



Bedieningspaneel



1. Aan/uit-knop
2. Neveluitvoer knop
3. Timer knop
4. Vochtigheid knop

WERKING

1. Relatieve vochtigheid instellen

Geschikte relatieve vochtigheid voor mensen in verschillende omgevingen:

Slaap-, woonkamer: 45-65%RH

Patiëntenkamer: 40-55RH

Kamer met technische apparaten: 45-60%RH

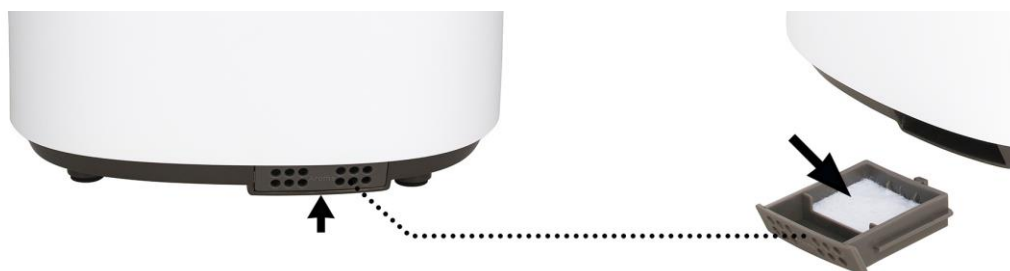
Kamer met piano: 40-60%RH

Museum, tentoonstellingsruimte en bibliotheek: 40-50%RH

2. Waterfilter

- 1) Hard water kan worden verzacht met behulp van keramische ballen.
- 2) Vreemde geuren kunnen worden geëlimineerd met behulp van een keramische filter.

3. Geurvak



- 1) Duw het geurvak uit de basis.
- 2) Gebruik in water oplosbare geuroolie en breng het aan op het watje.
- 3) Doe het geurvak opnieuw in de luchtbevochtiger. De geurfunctie blijft actief wanneer de luchtbevochtiger in werking is.
- 4) Om de geurfunctie te stoppen of voor het opbergen van de luchtbevochtiger, reinig het watje in het geurvak.
- 5) Breng alleen geuroolie op het watje aan. Giet alleen schoon water in het waterreservoir of -bak.

BEDRIJFSHANDLEIDING

Apparaat voor gebruik gedurende een half uur in kamertemperatuur plaatsen.

Het is aangewezen om het apparaat te gebruiken op een temperatuur beneden de 20°C en met een relatieve vochtigheid van minder dan 80%RH.

Water beneden de 40°C gebruiken.

Waterreservoir reinigen voor gebruik.

Vulinstructies



Gebruiksaanwijzingen

1. Machine op een vlak oppervlak plaatsen.
2. Verwijder het deksel, vul het waterreservoir met water en breng het deksel vervolgens opnieuw aan. U kunt het waterreservoir tevens uithalen om het met water te vullen. Breng het reservoir vervolgens opnieuw op de basis aan.
3. Controleren of de toegekende spanning met de inputspanning overeenkomt en steek de stekker in het stopcontact. Het LED-scherm knippert eenmaal en u hoort een geluidssignaal. Het apparaat staat in stand-by.
4. Tik op de knop „ON/OFF“ (aan/uit) op het bedieningspaneel om het apparaat in te schakelen. Het apparaat wordt standaard ingeschakeld op het neveluitvoerniveau „2“. De verlichting aan de onderkant van het apparaat brandt blauw. Het LED-scherm toont de huidige vochtigheidsgraad en het neveluitvoerniveau afwisselend weer.
5. Tik op de knop „MAX/MIN“ om de neveluitvoer aan te passen: 1 = laag neveluitvoerniveau; 2 = medium neveluitvoerniveau; 3 = hoog neveluitvoerniveau.

6. Tik op de knop "TIMER" om uw gewenste werkingstijd tussen 01-12 uur in te stellen. (Tik op de knop totdat het LED-scherf "— —" weergeeft. Dit geeft aan dat de timerinstelling geannuleerd is.)
De ingestelde timer knippert drie keer op het LED-scherf waarna de huidige vochtigheidsgraad opnieuw wordt weergegeven. De timer is nu ingesteld.

Wanneer de timer is ingesteld, geeft het LED-scherf de huidige vochtigheidsgraad, de neveluitvoerniveau en de timer afwisselend weer.

Opmerking: U kunt de knop „TIMER“ tevens 2 seconden ingedrukt houden om de timerfunctie tijdens de werking te annuleren.

7. Tik op de knop "HUMIDITY" (vochtigheid) om uw gewenste vochtigheidsgraad tussen 30%RH en 90%RH in te stellen. Tik eenmaal en het neemt met 5%RH toe. (Tik op de knop totdat het LED-scherf "Co" weergeeft. Dit geeft aan dat de vochtigheidsinstelling geannuleerd is.)

De gewenste vochtigheidsgraad knippert drie keer op het LED-scherf waarna de huidige vochtigheidsgraad opnieuw wordt weergegeven. Het apparaat opent de constante vochtigheidsfunctie.

In de constante vochtigheidsfunctie kan het neveluitvoerniveau niet worden aangepast. Het apparaat past het automatisch aan.

- Wanneer de gewenste vochtigheidsgraad 16%RH hoger is dan de huidige vochtigheidsgraad, dan werkt het apparaat in neveluitvoerniveau 3.
- Wanneer de gewenste vochtigheidsgraad 10%RH - 15%RH hoger is dan de huidige vochtigheidsgraad, dan werkt het apparaat in neveluitvoerniveau 2.
- Wanneer de gewenste vochtigheidsgraad 1%RH - 9%RH hoger is dan de huidige vochtigheidsgraad, dan werkt het apparaat in neveluitvoerniveau 1.
- Wanneer de gewenste vochtigheidsgraad lager is dan de huidige vochtigheidsgraad, dan staat het apparaat in stand-by.

Na het instellen van de gewenste vochtigheidsgraad, geeft het LED-scherf de huidige vochtigheidsgraad, de gewenste vochtigheidsgraad (knippert langzaam) en de timer (indien ingesteld) afwisselend weer.

Opmerking: Druk tijdens de werking 2 seconden op de knop „HUMIDITY“ (vochtigheid) en het apparaat opent de nachtmodus. De verlichting aan de onderkant van het toestel en het LED-scherf worden uitgeschakeld. Druk opnieuw lang om de nachtmodus af te sluiten.

Automatische uitschakelingsfunctie

Wanneer het water in de waterbak onvoldoende is om de luchtbevochtiger in werking te houden, dan stopt de luchtbevochtiger. De verlichting aan de onderkant van het apparaat brandt nu rood. Vul het waterreservoir en tik op de knop „on/off“ (aan/uit) om het apparaat opnieuw te starten. De verlichting brandt nu opnieuw blauw.

ONDERHOUD

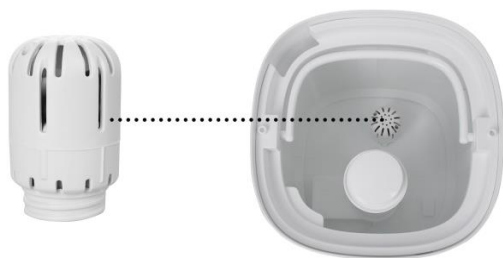
Als het water hard is, i.e. het water bevat teveel calcium en magnesium, kan dit "wit poeder (kalksteen)" veroorzaken en kan zorgen voor ernstige afzetting op de bodem van het waterreservoir, de omzetter en aan de binnenzijde van de watertank. Afzetting op het oppervlak van de omzetter kan de goede werking van het apparaat beïnvloeden.

Wij raden aan om:

- 1) koud gekookt water of gedistilleerd water te gebruiken.
- 2) de omzetter, de watertank en machine elke week schoon te maken.
- 3) het water in de watertank vaak te verversen om "wit poeder" / kalksteen te vermijden.
- 4) ervoor te zorgen om het water uit de watertank te draineren en dat het waterreservoir droog is voor u het apparaat voor een langere tijd wordt opgeborgen.
- 5) de hele machine te reinigen en ervoor te zorgen dat alle onderdelen van de machine volledig droog zijn voor gebruik.

Als er sprake is van een lek onderaan het reservoir, uit het deel waar de veer zit, dient u de veer een aantal keer in te drukken en los te laten om kalkresten te verwijderen die lekkage kunnen veroorzaken.

Filtersysteem reinigen:



- 1) Reinig de keramische filter na ongeveer 1000 L water. Afhankelijk van de waterkwaliteit; als de keramische balletjes vuil zijn, maak de filter vaker schoon.
- 2) Dompel het ongeveer 5 minuten in azijn. Spoel het vervolgens met schoon water.
- 3) Laat de filter 4~6 uur onder de zon drogen.
- 4) U kunt reservefilters kopen op www.buyspareparts.eu

Omzetter reinigen:

- 1) 5-10 druppels antikalkmiddel of citroenzuur op het oppervlak van de omzetter aanbrengen, 2 – 5 minuten wachten
- 2) Oppervlak afborstelen en dan met schoon water spoelen.

Waterreservoir reinigen:

- 1) Waterreservoir met een zachte doek en antikalkmiddel of citroenzuur reinigen.
- 2) Als kalkaanslag in de waterbak wordt waargenomen, giet enkele druppels ontkalkingsmiddel of citroenzuur op de kalkaanslag en verwijder het vervolgens met een borstel.
- 3) Waterreservoir met water spoelen.

PROBLEEMEN OPLOSSEN

Voor problemen tijdens de normale werking, verwijzen we naar de volgende punten:

Probleem	Mogelijke oorzaak	Mogelijke oplossingen
Vocht op de vloer rondom het apparaat.	Wanneer het apparaat teveel in de hoogte geplaatst wordt, kan de lucht de afgegeven vocht niet absorberen en komt het in druppels naar beneden.	Vermindert verdamping van vocht.
Nevel heeft abnormale geur	De kunststof kan gedurende het eerste gebruik een geur hebben.	Watertank verwijderen, deksel open en gedurende 12 op een koele plaats laten staan.
	Vuil water of water dat zich al lange tijd in de tank bevindt.	Watertank reinigen, reservoir met schoon water vullen.
	Restgeur door het verspreiden van geurolie op het geurvatje.	Verwijder het geurvatje, spoel het onder schoon water en laat het drogen.
Onvoldoende nevelverstuiving	Teveel afzetting in het waterreservoir.	Omzetter en waterreservoir reinigen.
	Water is te vuil of bevindt zich te lang in het reservoir.	Watertank reinigen, water door schoon water verversen.
	De spuitmond kan verstopt zijn.	Verwijder eventuele verstoppingen uit de spuitmond.
	Er is een natuurlijke of kunstmatige luchtverversing in de kamer die	Controleer of de deuren en ramen dicht zijn.

	een impact heeft op de toename van de %RH.	Controleer of er geen airconditioner in de kamer ingeschakeld is.
Abnormaal geluid	Geluid in watertank als waterpeil te laag is.	Water in de watertank bijvullen.
	Machine bevindt zich op een onstabiel oppervlak	Machine op een stabiel, vlak oppervlak plaatsen.
Er is condensatie in de kamer.	De kamertemperatuur is te laag.	Verwarm de kamer.
De neveluitvoer stopt plotseling.	De verlichting brandt rood.	Vul het waterreservoir.
	De ingestelde timerperiode is verstreken.	Schakel de luchtbevochtiger in.
	De gewenste vochtigheidsgraad is bereikt.	----
Het bedieningspaneel werkt niet.	Uw handen zijn te nat om het bedieningspaneel te bedienen.	Houd uw handen droog tijdens het bedienen van het bedieningspaneel.
Wit stof verschijnt rond de luchtbevochtiger.	Het gebruikte water heeft een hoog mineraalgehalte.	Gebruik gedistilleerd water met de luchtbevochtiger. Als er geen gedistilleerd water voorhanden is, gebruik gezuiverd of gefilterd water. Maak het waterreservoir minstens eenmaal per week schoon.
	De luchtbevochtiger werd na het laatste gebruik niet schoongemaakt.	Maak de luchtbevochtiger schoon.
De verlichting brandt blauw bij inschakeling, maar er komt geen nevel uit.	De gewenste vochtigheidsgraad is bereikt.	Verhoog de gewenste vochtigheidsgraad.
De verlichting brandt rood.	Geen water in het waterreservoir.	Vul het waterreservoir en wacht minstens 1 minuut.
	Waterpeil is laag.	
	Het vereiste waterpeil heeft de waterbak nog niet bereikt.	Wacht minstens 1 minuut.
	Het waterreservoir is niet goed aangebracht	Controleer de positie van het reservoir op de basis.
	De luchtbevochtiger is niet op een vlakke ondergrond geplaatst.	Controleer de positie van de luchtbevochtiger.

TECHNISCHE GEGEVENS

Voedingsspanning: 220V-240V ~ 50Hz/60Hz

Vermogen: 30W

GARANTIE EN KLANTENSERVICE

Vóór de levering worden onze apparaten streng gecontroleerd. Indien het toestel ondanks alle zorg bij de productie of tijdens het transport beschadigd werd, moet u het naar de handelaar terugbrengen. Naast het wettelijke recht op waarborg heeft de klant recht op de volgende garantieclaim:

Wij geven een garantie van 2 jaar op het toestel, te beginnen met de koopdatum. Indien u een defect product heeft, kunt u rechtstreeks terug gaan naar het aankooppunt.

Gebreken die het gevolg zijn van ondeskundig gebruik van het toestel, fouten tijdens ingrepen en reparaties

door derden of door de inbouw van vreemde onderdelen, vallen niet onder deze garantie. Bewaar altijd uw aankoopnota, zonder aankoopnota kunt u geen aanspraak maken op enige vorm van garantie. Bij schade veroorzaakt door het niet opvolgen van de gebruiksaanwijzing vervalt het recht op garantie. Voor vervolgschade die hieruit ontstaat kunnen wij niet verantwoordelijk gehouden worden. Voor materiële schade of persoonlijk letsel veroorzaakt door ondeskundig gebruik of het niet opvolgen van de veiligheidsvoorschriften zijn wij niet aansprakelijk. In dergelijke gevallen vervalt iedere aanspraak op garantie. Schade aan accessoires of onderdelen betekend niet dat het gehele apparaat zal worden vervangen. Afgebroken glazen of kunststof onderdelen of accessoires vallen niet onder de garantie en zullen tegen vergoeding vervangen kunnen worden. Defecten aan hulpstukken of aan slijtage onderhevige onderdelen, alsmede reiniging, onderhoud of de vervanging van slijtende delen vallen niet onder de garantie en zullen dus in rekening gebracht worden.

MILIEUVRIENDELIJKE AFVALVERWERKING



Recycling – Europese Richtlijn 2012/19/EU

Deze markering betekent dat dit product niet samen met ander houshoudelijk afval mag worden afgedankt. Om het milieu en de volksgezondheid niet in gevaar te brengen en het hergebruik van grondstoffen te bevorderen, moet dit product op verantwoordelijke wijze worden afgevoerd. Lever verbruikte apparatuur a.u.b. in bij de hiervoor bestemde inzamelpunten of bij de winkel waar het product was aangeschaft. Zij zullen dit product accepteren voor milieuvriendelijke afvalverwerking.

Emerio Deutschland GmbH (no service address)
Lerchenweg 3
40789 Monheim am Rhein
Deutschland

Klantendienst:

T: +49 (0) 3222 1097 600
E: info.de@emerio.eu

INSTRUKCJE DOTYCZĄCE BEZPIECZEŃSTWA

Aby nie dopuścić do urazów lub uszkodzeń oraz aby maksymalnie wykorzystać możliwości urządzenia, przed rozpoczęciem jego użytkowania należy przeczytać wszystkie poniższe zalecenia. Niniejszą instrukcję należy przechowywać w bezpiecznym miejscu. W przypadku przekazania lub odstąpienia komuś tego urządzenia, do urządzenia należy dołączyć również tę instrukcję.

W przypadku uszkodzenia spowodowanego nieprzestrzeganiem przez użytkownika zaleceń podanych w niniejszej instrukcji gwarancja nie ma zastosowania. Producent/importer nie ponosi odpowiedzialności za szkody spowodowane nieprzestrzeganiem podanych w instrukcji zaleceń, zaniedbaniami oraz użytkowaniem w sposób niezgodny z wymaganiami opisanymi w instrukcji.

1. Prosimy przeczytać i zachować tę instrukcję. Uwaga: Ilustracje prezentowane w instrukcji mają charakter wyłącznie orientacyjny.
2. To urządzenie może być obsługiwane przez dzieci w wieku 8 lat i starsze, osoby z pewnym upośledzeniem fizycznym, czuciowym lub umysłowym, a także osoby niemające doświadczenia, jeśli udzielono im instrukcji w zakresie bezpiecznego używania urządzenia, obsługa urządzenia odbywa się pod nadzorem i osoby te znają zagrożenia z tym związane.
3. Urządzenie nie służy do zabawy przez dzieci.
4. Czyszczenie oraz obsługa tego urządzenia nie powinny być dokonywane przez dzieci bez nadzoru.
5. To urządzenie jest przeznaczone do używania w domu i do podobnych zastosowań.
6. Przed czyszczeniem i napełnianiem należy wyjąć wtyczkę z kontaktu.
7. Zalecenia dotyczące konserwacji, napełniania, czyszczenia i odkamieniania urządzenia podano w odpowiednich paragrafach instrukcji.

8. Jeżeli przewód zasilający jest uszkodzony, musi być wymieniony przed producenta lub autoryzowany serwis lub wykwalifikowaną osobę celem uniknięcia niebezpieczeństwa.
9. Przed włożeniem wtyczki do kontaktu, należy sprawdzić, czy napięcie i częstotliwość są zgodne ze specyfikacją podaną na tabliczce znamionowej.
10. Przed czyszczeniem i na czas, gdy urządzenie nie jest używane, należy wyjąć wtyczkę z kontaktu.
11. Należy dopilnować, aby kabel zasilający nie zwisał z ostrych krawędzi. Należy go trzymać z dala od gorących przedmiotów i otwartych płomieni.
12. Nie należy mokrą ręką wkładać wtyczki urządzenia do kontaktu lub wyjmować jej z niego.
13. Nigdy nie należy próbować otwierać obudowy urządzenia lub samodzielnie urządzenie naprawić. Mogłoby to doprowadzić do porażeniem prądem.
14. Do urządzenia nie należy dodawać detergentów lub roztworów substancji chemicznych.
15. Detergenty i roztwory substancji chemicznych należy chronić przed dziećmi.
16. Jeśli w czasie zwykłego użytkowania w urządzeniu pojawi się jakikolwiek nietypowy zapach, należy wyłączyć urządzenie i odłączyć je od zasilania, a potem poprosić wykwalifikowanego technika o dokonanie naprawy.
17. Gdy urządzenie pracuje, nie należy dotykać wody w zbiorniku na wodę, ani podzespołów znajdujących się w wodzie.
18. Urządzenia nie należy nigdy włączać bez wody w zbiorniku na wodę.
19. Nie należy skrobać przetwornika.
20. Nie należy czyścić przetwornika detergentami i roztworami substancji chemicznych.
21. Tylko do użytku domowego w pomieszczeniach.
22. Podczas przestawiania urządzenia należy je podnosić za podstawę, a nie za zbiornik na wodę.

23. Na urządzeniu nie wolno kłaść przedmiotów takich jak odzież lub ręczniki. Zatkanie się dyszy może prowadzić do nieprawidłowego działania.
24. Urządzenia nie należy nigdy używać w pomieszczeniu, w którym używane są produkty w aerozolu (spraye) lub w którym podawany jest tlen.
25. Przed wyjęciem zbiornika na wodę i przestawieniem urządzenia z miejsca na miejsce, należy wyłączyć urządzenie i wyjąć wtyczkę z kontaktu.
26. Nadmierna wilgoć w pomieszczeniu może doprowadzić do skraplania się wody na oknach i niektórych meblach. W takim przypadku urządzenie należy wyłączyć.
27. Obudowy nigdy nie należy wkładać pod strumień wody ani zanurzać w jakichkolwiek płynach.
28. Nawilżacz należy zawsze ustawiać na twardej, płaskiej i równej powierzchni. Należy unikać ekspozycji na bezpośrednie światło słoneczne i zawsze trzymać produkt z dala od ścian i źródeł ciepła takich jak kuchenki, piecyki, grzejniki itp. Ostrzeżenie: Nawilżacz może nie działać właściwie jeśli nie zostanie ustawiony na płaskiej powierzchni.
29. Do zbiornika na wodę należy nalać świeżej, destylowanej lub demineralizowanej wody słodkiej. Do zbiornika na wodę lub do misy z wodą nie należy dodawać jakichkolwiek innych płynów.
30. Nawilżaczem nie należy potrząsać, ponieważ może to doprowadzić do wylania się wody do podstawy nawilżacza.
31. Do zbiornika nie należy nalewać gorącej wody, tj. wody o temperaturze powyżej 40°C.
32. Poziom wilgotności względnej optymalny dla komfortu człowieka wynosi od 45% do 65%. Nadmierna wilgotność przejawia się w formie skroplina na zimnych powierzchniach lub ścianach pomieszczenia. Aby prawidłowo zmierzyć poziom wilgoci w pomieszczeniu, należy użyć higrometru dostępnego w większości specjalistycznych sklepów i hipermarketów.

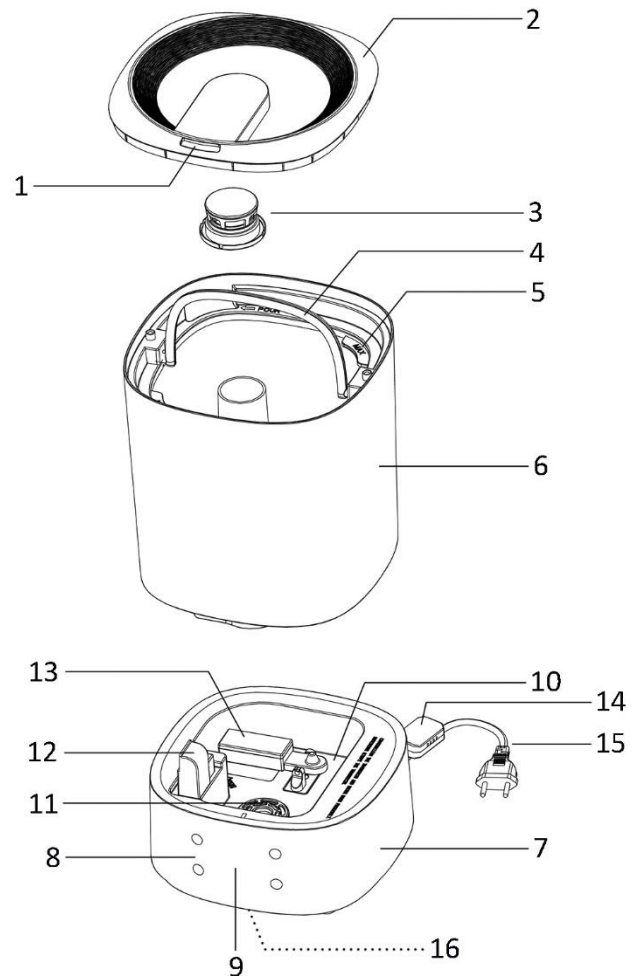
33. Należy mieć świadomość, że wysoki poziom wilgoci może sprzyjać rozwijaniu się w środowisku organizmów biologicznych.
34. Nie wolno dopuszczać do tego, aby otoczenie nawilżacza stało się wilgotne lub mokre. W przypadku pojawienia się wilgoci należy zredukować wydajność działania nawilżacza. Jeżeli wydajności nawilżacza nie da się zmniejszyć, należy włączać go i wyłączać na przemian. Nie należy pozwalać, aby materiały chłonne, takie jak wykładziny, zasłony, kotary lub obrusy nabrały wilgoci.
35. Przed czyszczeniem i napełnianiem należy wyjąć wtyczkę z kontaktu.
36. Gdy urządzenie nie jest używane, nigdy nie wolno zostawiać wody w zbiorniku.
37. Przed schowaniem nawilżacz należy opróżnić i wyczyścić. Przed następnym użyciem nawilżacz należy wyczyścić.
38. Ostrzeżenie: Jeśli woda w zbiorniku nie jest wymieniana, a zbiornik nie jest właściwie czyszczony co 3 dni, mikroorganizmy, które mogą znajdować się w wodzie lub środowisku, w którym urządzenie jest używane lub przechowywane, mogą rozwijać się w zbiorniku na wodę i mogą zostać rozniesione w powietrzu, powodując bardzo poważne zagrożenia dla zdrowia.



39. Zbiornik na wodę należy czyścić co trzy dni.

CZĘŚCI

1. Dysza
2. Pokrywa górna
3. Pokrywa bloku generowania mgiełki
4. Uchwyt
5. Rama zbiornika na wodę (z zaznaczonym właściwym kierunkiem nalewania wody: **POUR (NALEWANIE)**; maks. poziom wody: **MAX**)
6. Zbiornik na wodę
7. Podstawa
8. Panel sterowania
9. Wyświetlacz LED
10. Misa z wodą
11. Przetwornik
12. Wylot powietrza
13. Pływak
14. Czujnik
15. Przewód zasilający i wtyczka
16. Kontrolka



Panel sterowania



1. Przycisk ON/OFF (Włącznik)
2. Przycisk generowania mgiełki
3. Przycisk minutnika
4. Przycisk wilgotności

FUNKCJA

1. Ustawienie wilgotności względnej

Wilgotność względna odpowiednia dla człowieka w różnych miejscach:

Sypialnia, salon: 45-65%RH

Pokój pacjenta: 40-55%RH

Pomieszczenie z urządzeniami technicznymi: 45-60%RH

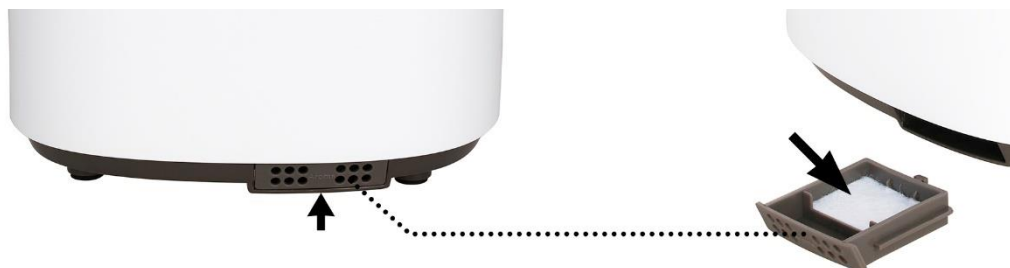
Pomieszczenie, w którym stoi pianino: 40-60%RH

Muzeum, sala wystawowa, biblioteka: 40-50%RH

2. Filtr wody

- 1) Twardą wodę można zmiękczać kulkami ceramicznymi.
- 2) Filtr ceramiczny umieszczony w wodze potrafi wyeliminować dziwne zapachy.

3. Pojemnik na aromat



- 1) Wysunąć pojemnik na aromat z podstawy.
- 2) Należy używać olejków aromatycznych rozpuszczalnych w wodzie. Zwilżyć takim olejkiem kawałek bawełny.
- 3) Włożyć pojemnik na aromat z powrotem do nawilzacza. Podczas działania nawilzacza funkcja aromatyzacji pozostaje włączona.
- 4) Aby wyłączyć funkcję aromatyzacji lub na czas przechowywania nawilzacza należy umyć bawełnę w pojemniku na aromat.
- 5) Olejkiem aromatycznym należy skraplać tylko bawełnę do aromatów z pojemnika na aromat. Do zbiornika na wodę lub do misy nie należy nalewać jakichkolwiek płynów z wyjątkiem czystej wody.

INSTRUKCJA OBSŁUGI

Przed rozpoczęciem użytkowania i przed włączeniem należy umieścić urządzenie w temperaturze pokojowej i odczekać od 30 do 80 minut.

Urządzenia zaleca się używać w temperaturze poniżej 20°C i przy wilgotności względnej poniżej 80%RH.

Należy używać wody o temperaturze poniżej 40°C.

Przed użyciem należy umyć misę z wodą.

Instrukcja napełniania



Instrukcja użytkowania

1. Ustawić urządzenie na płaskiej powierzchni.
2. Zdjąć pokrywę górną, nalać wody do zbiornika na wodę i założyć pokrywę z powrotem. Ewentualnie można wyjąć zbiornik na wodę w celu napełnienia go wodą, a następnie umieścić go z powrotem na podstawie głównej.

3. Sprawdzić, czy napięcie znamionowe jest takie jak napięcie wejściowe i włożyć wtyczkę do kontaktu. Wyświetlacz LED mignie jeden raz, rozlegnie się też sygnał dźwiękowy. Urządzenie znajduje się w stanie gotowości.
4. Aby wyłączyć urządzenie, wystarczy dotknąć przycisku „ON/OFF” na panelu sterowania. Urządzenie rozpoczyna pracę z domyślnym poziomem generowania mgiełki „2”. Kontrolka na spodzie urządzenia zaświeci się na niebiesko. Wyświetlacz LED pokazuje naprzemiennie aktualną wilgotność i poziom generowania mgiełki.
5. Dotknięcie przycisku „MAX/MIN” pozwala regulować poziom generowania mgiełki: 1 = niski poziom generowania mgiełki; 2 = średni poziom generowania mgiełki; 3 = wysoki poziom generowania mgiełki.
6. Aby ustawić żądany czas działania w przedziale od 1 do 12 godzin, wystarczy dotknąć przycisku „TIMER” („ZEGAR”). (Należy dotknąć przycisku i przytrzymać, aż na wyświetlaczu LED pojawi się „— —”. Oznacza to anulowanie ustawienia zegara.)

Na wyświetlaczu LED trzykrotnie mignie ustawienie zegara, a następnie z powrotem wyświetlana będzie aktualna wilgotność. Zegar został ustawiony.

Po ustawieniu zegara, wyświetlacz LED będzie cyklicznie pokazywał kolejno aktualną wilgotność, poziom generowania mgiełki i zegar.

Uwaga: Użytkownik może też dotknąć przycisku „TIMER” i przytrzymać go przez 2 sekundy, spowoduje to anulowanie funkcji zegara w czasie jego pracy.

7. Aby ustawić oczekiwaną wilgotność w przedziale od 30%RH do 90%RH, należy dotknąć przycisku „HUMIDITY” („WILGOTNOŚĆ”). Pojedyncze dotknięcie zwiększa ustawienie o 5%RH. (Przycisku można dotykać aż na wyświetlaczu LED pojawi się komunikat „Co”. Oznacza to anulowanie ustawienia wilgotności.)

Na wyświetlaczu LED trzykrotnie mignie ustawienie oczekiwanej wilgotności, a następnie z powrotem wyświetlana będzie aktualna wilgotność. Urządzenie przejdzie w tryb utrzymywania stałej wilgotności.

W trybie stałej wilgotności poziomu generowania mgiełki nie można regulować. Urządzenie dokonuje regulacji automatycznie.

- Gdy oczekiwana wilgotność jest o 16% RH wyższa od bieżącej, urządzenie pracuje z poziomem generowania mgiełki 3.
- Gdy oczekiwana wilgotność jest o 10-15% RH wyższa od bieżącej, urządzenie pracuje z poziomem generowania mgiełki 2.
- Gdy oczekiwana wilgotność jest o 1-9% RH wyższa od bieżącej, urządzenie pracuje z poziomem generowania mgiełki 1.
- Gdy oczekiwana wilgotność jest mniejsza niż wilgotność bieżąca, urządzenie przechodzi w tryb uśpienia.

Po ustawieniu oczekiwanej wilgotności, wyświetlacz LED będzie cyklicznie pokazywać aktualną wilgotność, oczekiwaną wilgotność (wolne miganie) i zegar (o ile został nastawiony).

Uwaga: W czasie pracy, wciśnięcie przycisku „HUMIDITY” i przytrzymanie go przez 2 sekundy spowoduje, że urządzenie przełączy się w tryb nocny. Kontrolka na spodzie urządzenia zgaśnie, a wyświetlacz LED wyłączy się. Ponowne wciśnięcie i przytrzymanie przycisku powoduje opuszczenie trybu nocnego.

Funkcja automatycznego wyłączenia

Gdy ilość wody w misie będzie zbyt mała, aby nawilżacz mógł działać, nawilżacz automatycznie przestanie pracować. Kontrolka na spodzie urządzenia zaświeci się na czerwono. Należy wtedy dolać wody do zbiornika na wodę i dotknąć przycisku ON/OFF, aby ponownie włączyć urządzenie. Czerwona kontrolka zmieni kolor na niebieski.

KONSERWACJA

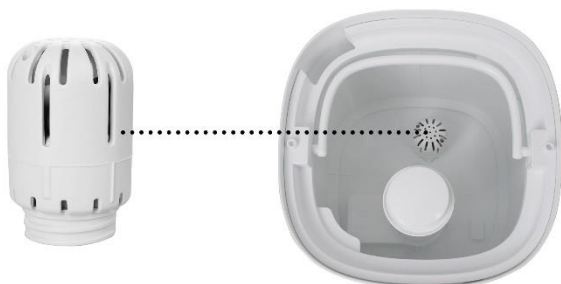
W przypadku, gdy używana woda jest twarda, co oznacza, że zawiera zbyt dużo wapnia i magnezu, składniki te mogą powodować problem „kamienia kotłowego/wapiennego” i powodować osadzanie się osadów na powierzchni miski z wodą, przetwornika i zbiornika na wodę (od środka). Osady na powierzchni przetwornika mogą wpływać na prawidłowe działanie.

Zalecamy:

- 1) Należy używać zimnej wody przegotowanej lub destylowanej.
- 2) Przetwornik, zbiornik na wodę i misę na wodę należy myć raz na tydzień.
- 3) Aby uniknąć osadzania się kamienia kotłowego/wapiennego, wodę w zbiorniku na wodę należy często zmieniać.
- 4) Przed schowaniem urządzenia na dłuższy czas należy koniecznie wylać wodę ze zbiornika na wodę i wysuszyć misę z wodą.
- 5) Wyczyścić całe urządzenie, a przed ponownym użyciem upewnić się, że wszystkie jego części całkowicie wyschły.

Jeśli spod zbiornika na wodę cieknie woda, z części, w której znajduje się sprężyna, należy kilkakrotnie nacisnąć i puścić sprężynę, aby usunąć z niej osady wapienne, które mogą powodować nieszczelność.

Jak czyścić układ filtrowania:



- 1) Filtr ceramiczny należy regularnie czyścić - każdorazowo po przefiltrowaniu 1000 l wody. W zależności od jakości wody, jeżeli kulki ceramiczne są brudne, filtr trzeba czyścić częściej.
- 2) Można go zanurzyć w occie na około 5 minut. Następnie przepłukać czystą wodą.
- 3) Zostawić filtr na słońcu na 4-6 godzin.
- 4) Filtry na wymianę można kupić na stronie www.buyspareparts.eu

Jak czyścić przetwornik:

- 1) Na powierzchnię przetwornika nałożyć 5-10 kropli odkamieniacza lub kwasu cytrynowego; odczekać 2-5 minut.
- 2) Umyć powierzchnię szczoteczką i spłukać przetwornik wodą.

Jak czyścić misę z wodą:

- 1) Misę z wodą należy myć miękką ściereczką. Jako środka czyszczącego należy używać odkamieniacza lub kwasu cytrynowego.
- 2) Jeśli w którymkolwiek miejscu miski z wodą pojawi się kamień kotłowy/osad, należy go skropić odkamieniaczem lub kwasem cytrynowym i wyczyścić szczoteczką.
- 3) Wypłukać wodą misę z wodą.

ROZWIĄZYWANIE PROBLEMÓW

W przypadku stwierdzenia jakichkolwiek problemów w czasie zwykłego użytkowania prosimy zapoznać się z następującymi punktami:

Problem	Możliwe przyczyny	Możliwe rozwiązania
Wilgoć na podłodze wokół urządzenia	Urządzenie jest ustawione na zbyt wysokie ustawienie, powietrze nie jest w stanie wchłonąć takiej ilości generowanej wilgoci, więc skrapla się ona i opada.	Zmniejszyć parowanie wilgoci.
Mgiełka ma dziwny zapach	Na początku użytkowania elementy plastikowe mogą wydzielać różne zapachy	wyjąć zbiornik na wodę, otworzyć pokrywę, pozostawić przez 12 godzin.
	Woda brudna lub długo nie wymieniana.	Wyczyścić zbiornik na wodę, nalać czystej wody.
	Pozostałości zapachu z olejku aromatycznego na bawełnie do aromatów.	Wyjąć bawełnę do aromatów, wypłukać ją pod bieżącą wodą i pozwolić, by wyschła.
Niewystarczające parowanie mgiełki	Zbyt dużo osadów w misie z wodą.	Umyć przetwornik i misę z wodą.
	Woda jest zbyt brudna lub zbyt długo stała w zbiorniku.	Wyczyścić zbiornik na wodę, wymienić wodę na świeżą.
	Być może zapchała się dysza.	Usunąć to, co zatyka dyszę.
	W pomieszczeniu w sposób naturalny lub sztuczny następuje wymiana powietrza, która zakłóca wzrost %RH.	Sprawdzić, czy drzwi i okna są zamknięte. Sprawdzić, czy w pomieszczeniu nie jest włączona klimatyzacja.
Nietypowe hałasy	Rezonowanie zbiornika na wodę, gdy poziom wody w zbiorniku jest za niski.	Nalać wody do zbiornika na wodę.
	Urządzenie stoi na niestabilnej powierzchni.	Przestawić urządzenie na stabilną i płaską powierzchnię.
W pomieszczeniu pojawiają się skropliny.	Zbyt niska temperatura w pomieszczeniu.	Ogrzać pomieszczenie.
Mgiełka nagle przestaje być wytwarzana.	Kontrolka świeci na czerwono.	Uzupełnić wodę w zbiorniku na wodę.
	Minął czas zaprogramowany w zegarze.	Włączyć nawilżacz.
	Osiągnięto docelowy poziom wilgotności.	---
Panel sterowania nie działa	Użytkownik ma zbyt mokre dłonie, aby móc obsługiwać panel sterowania.	Podczas obsługi panelu sterowania należy pilnować, aby mieć suche dłonie.
Wokół nawilżacza pojawia się biały pył.	Używana woda zawiera dużo składników mineralnych.	W nawilżaczu należy używać wody destylowanej. Jeśli woda destylowana nie jest dostępna, należy używać wody oczyszczonej lub filtrowanej. Należy pamiętać o czyszczeniu zbiornika na wodę raz w tygodniu.
	Nawilżacz nie został właściwie wyczyszczony po ostatnim użyciu.	Wyczyścić nawilżacz.

Po włączeniu kontrolka świeci na niebiesko, ale nie pojawia się mgiełka.	Osiągnięto docelową wilgotność.	Zwiększyć docelowy poziom wilgotności.
Kontrolka świeci na czerwono.	Brak wody w zbiorniku.	Dolać wody do zbiornika i odczekać co najmniej 1 minutę.
	Niski poziom wody.	Odczekać co najmniej 1 minutę.
	Wymagany poziom wody nie sięga jeszcze misy z wodą.	Odczekać co najmniej 1 minutę.
	Zbiornik na wodę nie jest dobrze ustawiony.	Sprawdzić pozycję zbiornika na podstawie.
	Nawilżacz nie stoi na płaskiej powierzchni.	Sprawdzić pozycję, w jakiej stoi nawilżacz.

DANE TECHNICZNE

Napięcie robocze: 220V-240V ~ 50Hz/60Hz

Moc: 30W

GWARANCJA I SERWIS KONSUMENCKI

Przed dostarczeniem do klienta nasze urządzenia poddawane są rygorystycznej kontroli jakości. Jeśli, pomimo wszelkich starań, podczas produkcji lub transportu pojawi się uszkodzenie, należy zwrócić urządzenie do sprzedawcy. Dodatkowo do stosowanych powszechnie przepisów, nabywca ma prawo do reklamacji na podstawie warunków niniejszej gwarancji:

Dla każdego zakupionego urządzenia zapewniamy 2 lata gwarancji, poczynając od dnia zakupu. Uszkodzony produkt można zwrócić bezpośrednio w punkcie zakupu.

Niniejsza gwarancja nie obejmuje uszkodzeń spowodowanych niewłaściwą obsługą urządzenia, usterek w wyniku modyfikacji i napraw wykonanych przez strony trzecie lub w wyniku użycia nieoryginalnych części. Należy zachować dowód zakupu, który jest jedyną podstawą złożenia roszczenia gwarancyjnego. Producent nie ponosi odpowiedzialności za uszkodzenia powstałe w wyniku nieprzestrzegania instrukcji obsługi. Powoduje to unieważnienie gwarancji. Producent nie ponosi odpowiedzialności za szkody materiałowe ani obrażenia ciała spowodowane niewłaściwą obsługą urządzenia i nieprzestrzeganiem instrukcji obsługi. Uszkodzenie akcesoriów nie oznacza bezpłatnej wymiany całego urządzenia. W takim wypadku prosimy o kontakt z naszym serwisem. Stłuczone elementy szklane lub pęknięte elementy plastikowe są wymieniane za opłatą. Uszkodzenia materiałów eksploatacyjnych lub części podlegających zużyciu, a także czyszczenie, konserwacja i wymiana wspomnianych części nie jest objęta gwarancją i podlega opłacie.

USUWANIE PRZYJAZNE ŚRODOWISKU



Recykling – Dyrektywa europejska nr 2012/19/UE

Ten znak oznacza, że urządzenia nie należy wyrzucać razem z innymi odpadami domowymi. Aby zapobiec możliwym szkodom dla środowiska i zdrowia ludzi spowodowanym niekontrolowaną utylizacją odpadów, poddaj produkt procesowi recyklingu w celu promowania zrównoważonego ponownego wykorzystywania zasobów materiałowych. Aby zwrócić zużyte urządzenie, skorzystaj z systemu oddawania zużytych produktów lub skontaktuj się ze sprzedawcą. Sprzedawca może przyjąć produkt w celu przeprowadzenia bezpiecznego dla środowiska recyklingu.

Emerio Deutschland GmbH (nie adres serwisowy)

Lerchenweg 3

40789 Monheim am Rhein

Niemcy

Dział obsługi klienta:

T: +49 (0) 3222 1097 600

E: info.de@emerio.eu

ИНСТРУКЦИЯ ПО БЕЗОПАСНОСТИ

Перед использованием прибора обязательно прочитайте все приведенные ниже инструкции, чтобы избежать травм или повреждений в следствие использования прибора. Обязательно сохраните это руководство в надежном месте. При передаче прибора другому лицу обязательно передайте ему и данное руководство по эксплуатации.

В случае повреждения, вызванного несоблюдением инструкций, данных в руководстве по эксплуатации, гарантия на прибор будет аннулирована. Изготовитель/импортер также не несет ответственности за ущерб, вызванный несоблюдением данного руководства, небрежным использованием прибора или использованием, не соответствующим требованиям настоящего руководства.

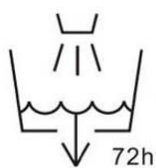
1. Прочитайте и сохраните данные инструкции. Внимание: рисунки в данном руководстве по эксплуатации приведены только в качестве примера.
2. Данный прибор может использоваться детьми в возрасте от 8 лет и старше и людьми с ограниченными физическими, сенсорными и психическими возможностями только в случае того, если им были даны инструкции по безопасному пользованию прибором и если они понимают исходящую от него опасность.
3. Детям запрещается играть с прибором.
4. Чистка и обслуживание прибора не могут производиться детьми без соответствующего надзора со стороны взрослых.
5. Данный прибор предназначен для использования в домашнем хозяйстве и аналогичных сферах использования.
6. Отключайте прибор от сети питания во время его наполнения и перед очисткой.

7. Для получения информации о наполнении, чистке и очистке прибора от известковых отложений, пожалуйста, обращайтесь к соответствующим разделам настоящего руководства.
8. При повреждении кабеля во избежание несчастного случая его необходимо заменить у производителя, в сервисном центре или у сертифицированного специалиста.
9. Прежде, чем вставить вилку в розетку, убедитесь, что напряжение и частота соответствуют указанным на этикетке прибора техническим характеристикам.
10. Всегда отключайте прибор от сети и охлаждайте его до комнатной температуры перед хранением или чисткой.
11. Убедитесь, что кабель питания не подвешен над острыми краями, а также не соприкасается с нагревающимися или горячими приборами и открытым огнем.
12. Не подключайте и не отключайте прибор от розетки влажными руками.
13. Не пытайтесь открывать корпус прибора или ремонтировать прибор самостоятельно. Это может привести к поражению электрическим током.
14. Не добавляйте в прибор моющие средства и химические растворы.
15. Храните моющие средства и химические растворы в недоступном для детей месте.
16. Если во время нормальной работы прибора появляется какой-либо необычный запах, выключите прибор, отключите его от электрической сети и обратитесь к квалифицированному специалисту для ремонта.
17. Во время работы прибора не касайтесь воды в резервуаре для воды и частей прибора, находящихся в воде.
18. Не включайте прибор без воды в резервуаре.
19. Не царапайте датчик.

20. Не очищайте датчик моющими средствами и химическими растворами.
21. Прибор предназначен только для домашнего использования в закрытых помещениях.
22. При перемещении прибора поднимайте его за базовый блок, а не за резервуар для воды.
23. Не кладите на прибор одежду или полотенца. Если сопло прибора заблокировано, это может привести к неисправности.
24. Никогда не используйте данный прибор в помещении, где используются аэрозольные продукты (спреи), или в помещении, или куда поступает кислород.
25. Перед тем, как снимать резервуар для воды и перемещать прибор, выключите его и отключите от сети.
26. Избыточная влажность в помещении может вызвать конденсацию влаги на окнах и мебели. В таком случае выключите прибор.
27. Никогда не помещайте корпус прибора под струю воды и не погружайте его в жидкости.
28. Всегда устанавливайте прибор на твердую, ровную и устойчивую поверхность. Избегайте воздействия на него прямых солнечных лучей и всегда держите его вдали от стен и источников тепла, таких как печи, радиаторы и т. д. Предупреждение: увлажнитель может работать неправильно, если он не установлен на ровной поверхности.
29. Наполните резервуар прибора свежей, дистиллированной или деминерализованной водой. Не наливайте в прибор другие жидкости.
30. Не встряхивайте прибор, поскольку это может привести к попаданию воды на его основание.
31. Не наливайте в резервуар прибора горячую воду (выше 40°C).
32. Идеальный уровень относительной влажности, комфортный для человека составляет от 45% до 65%.

Избыточная влажность проявляется в виде конденсата на холодных поверхностях или холодных стенах помещения. Для того, чтобы правильно измерить влажность в помещении, используйте гигрометр, доступный в большинстве специализированных магазинов.

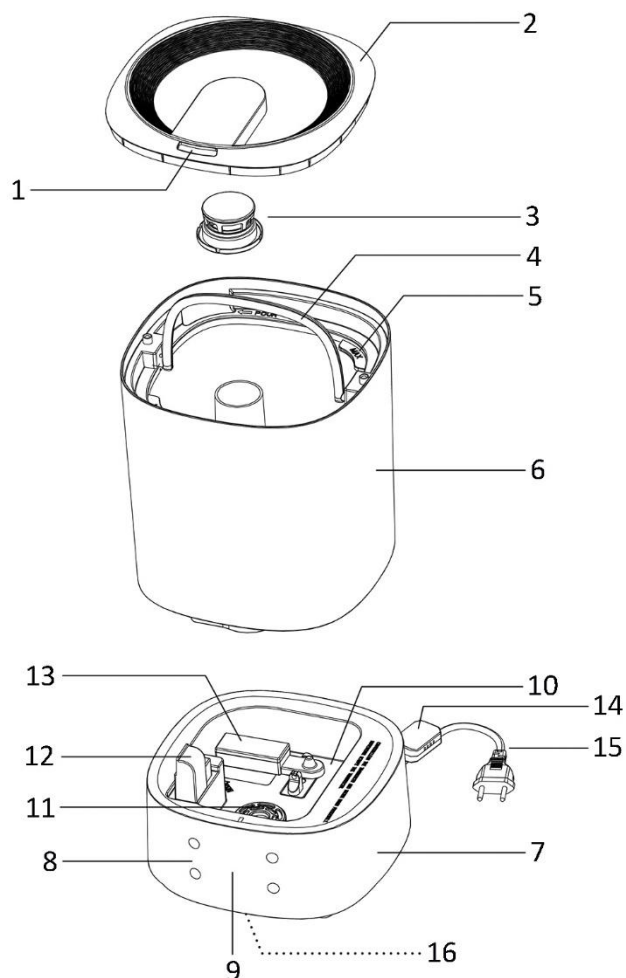
33. Помните, что высокий уровень влажности может способствовать росту биологических организмов в окружающей среде.
34. Не допускайте того, чтобы пространство вокруг прибора становилось влажным или мокрым. Если вокруг прибора появляется сырость, уменьшите его мощность. В случае, если мощность увлажнителя уменьшить нельзя, используйте увлажнитель с перерывами. Не позволяйте легко воспламеняющимся материалам, таким как ковровые покрытия, шторы, портьеры или скатерти, становиться влажными.
35. Отключайте прибор от сети питания во время наполнения и очистки.
36. Никогда не оставляйте воду в резервуаре, если прибор не используется.
37. Перед тем, как убрать прибор на хранения опустошайте прибор и производите его очистку. Обязательно произведите очистку прибора перед первым использованием после хранения.
38. Предупреждение: Микроорганизмы, присутствующие в воде и в окружающей среде, где используется или хранится прибор, могут расти в резервуаре, если в прибор не наливается свежая вода и резервуар не очищается должным образом каждые 3 дня, и разлетаться в воздух, вызывая серьезные опасности для здоровья.



39. Производите очистку резервуара для воды каждые 3 дня.

ОПИСАНИЕ ПРИБОРА

1. Сопло
2. Верхняя крышка
3. Крышка распылителя
4. Ручка
5. Рамка резервуара для воды (с отметкой о правильном наливе воды **← НАЛИВАТЬ (POUR)**, а также с отметкой о максимальном количестве воды **(MAX)**)
6. Резервуар для воды
7. Основание
8. Панель управления
9. Светодиодный дисплей
10. Нижний резервуар для воды
11. Преобразователь
12. Выходное отверстие для воздуха
13. Буй
14. Датчик
15. Кабель питания и вилка
16. Световой индикатор



Панель управления



1. Кнопка ВКЛ/ВЫКЛ (On/off)
2. Кнопка выхода пара
3. Кнопка Таймер (Timer)
4. Кнопка Влажность (Humidity)

ФУНКЦИИ

1. Установки относительной влажности

Рекомендуемая относительная влажность в различных помещениях:

Спальня, гостиная: 45-65%RH

Больничная палата: 40-55%RH

Помещения, в которых расположена техника: 45-60%RH

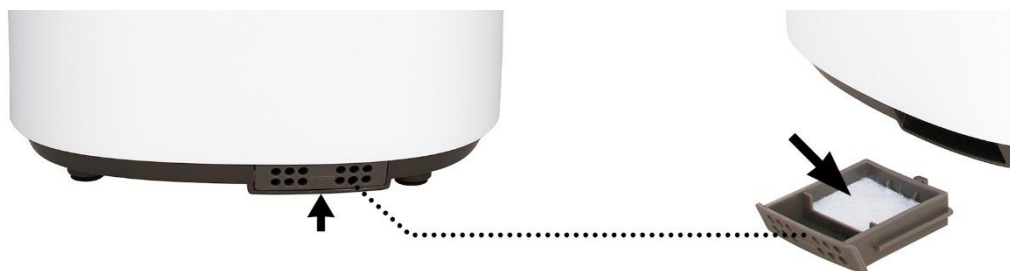
Помещения, в которых установлено фортепиано: 40-60%RH

Музеи, выставочные залы, библиотеки: 40-50%RH

2. Водяной фильтр

- 1) Жесткую воду можно смягчить керамическими шариками.
- 2) Странный запах можно устранить с помощью керамического фильтра в воде.

3. Бокс для ароматических масел



- 1) Достаньте бокс для ароматических масел.
- 2) Используйте водорастворимое ароматическое масло и капните его на хлопковую поверхность.
- 3) Поместите бокс для ароматических масел обратно в прибор. Функция ароматизации будет оставаться активной все время, пока прибор работает.
- 4) Для того, чтобы отключить функцию ароматизации, а также при хранении увлажнителя, очистите хлопковую поверхность в боксе.
- 5) Капайте ароматическое масло только на хлопковую поверхность. В емкости для воды следует наливать только воду.

ИНСТРУКЦИЯ ПО ЭКСПЛУАТАЦИИ

Перед началом работы дайте прибору полчаса прогреться до комнатной температуры.

Рекомендуется использовать прибор при температуре ниже 20°C и относительной влажности менее 80%.

Используйте воду с температурой ниже 40°C.

Перед использованием очистите резервуар для воды.

Наполнение прибора



Использование прибора

1. Поместите прибор на ровную и устойчивую поверхность.
2. Снимите верхнюю крышку, залейте воду в резервуар для воды и затем установите крышку на место. В качестве альтернативы выньте резервуар для воды, наполните его водой, а затем поставьте обратно на основание.
3. Убедитесь, что номинальное напряжение соответствует входному напряжению, и подключите вилку в розетку. Светодиодный дисплей мигнет один раз, после чего раздастся звуковой сигнал. Прибор перейдет в режиме ожидания.

4. Для включения прибора нажмите кнопку ВКЛ/ВЫКЛ (On/off) на панели управления. По умолчанию прибор начинает работать с уровнем выхода пара 2. Индикатор в нижней части прибора горит синим. Светодиодный дисплей попеременно отображает текущую влажность и уровень выходящего пара.
 5. Для регулировки степени выхода пара используйте кнопку МАКС/МИН (MAX/MIN): 1 = низкий уровень выхода пара; 2 = средний уровень выхода пара; 3 = высокий уровень выхода пара.
 6. Нажмите кнопку Таймер (Timer) для того, чтобы установить нужное время работы в диапазоне от 1 до 12 часов. (Нажимайте кнопку до тех пор, пока на светодиодном дисплее не отобразится значок - . Это означает отмену установки таймера.)
После установки таймера светодиодный дисплей мигнет три раза, а затем снова отобразит текущий уровень влажности. Таймер установлен.
После того, как таймер установлен, светодиодный дисплей отобразит текущий уровень влажности, уровень выхода пара и значение таймер, а затем будет циклически повторять данные значения.
- Примечание:** Вы можете удерживать кнопку Таймер (Timer) в течение 2 секунд для того, чтобы отменить функцию таймера во время работы.
7. Для того, чтобы установить нужное значение влажности от 30% до 90% нажмите кнопку Влажность (Humidity). При однократном нажатии на кнопку значение ожидаемой влажности увеличится на 5%. (Нажимайте на кнопку до тех пор, пока на светодиодном дисплее не отобразится значок Co. Это означает отмену настройки влажности.)
На светодиодном дисплее трижды мигнет значение ожидаемой влажности, а затем на нем снова отобразится текущий уровень влажности. Прибор переходит в режим постоянной влажности.

В режиме постоянной влажности уровень выхода пара не регулируется. Прибор настроит его автоматически.

- в случае, если ожидаемая влажность на 16% выше, чем текущая влажность в помещении, где установлен прибор, прибор будет работать с уровнем выхода пара 3.
- в случае, если ожидаемая влажность составляет 10% - 15% относительной влажности выше, чем текущая влажность в помещении, прибор будет работать с уровнем выхода пара 2.
- в случае, если ожидаемая влажность на 1% - 9% выше, чем текущая влажность в помещении, прибор будет работать на уровне выхода пара 1.
- в случае, если ожидаемая влажность ниже текущей влажности в помещении, прибор автоматически перейдет в спящий режим.

После того, как установлено значение ожидаемой влажности, на светодиодном дисплее отобразится текущая влажность, ожидаемая влажность (медленно мигает) и таймер (если установлен), а затем эти значения будут отображаться по кругу.

Примечание: Если в процессе работы прибора нажимать на кнопку Влажность (Humidity) в течение 2 секунд, прибор перейдет в ночной режим. Индикатор в нижней части прибора и дисплей погаснут. Для выхода из ночного режима снова нажмите и удерживайте кнопку.

Автоотключение

Как только воды в нижнем резервуаре станет слишком мало для поддержания работы прибора, он автоматически перестанет работать. Индикатор в нижней части прибора загорится красным. Наполните резервуар для воды и снова нажмите кнопку ВКЛ/ВЫКЛ (On/off) для перезапуска прибора. Красный цвет индикатора изменится на синий.

ТЕХНИЧЕСКОЕ ОБСЛУЖИВАНИЕ

Если используется жесткая вода, которая содержит слишком много кальция и магния, в приборе будут появляться известняковые отложения на поверхности резервуара для воды и преобразователя.

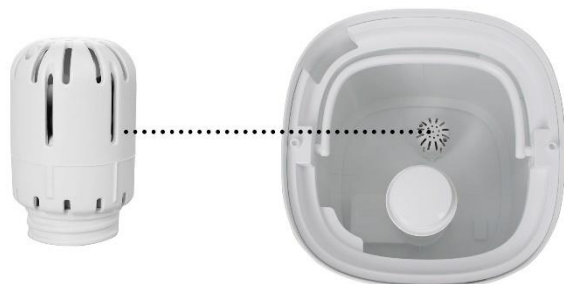
Их появление может повлиять на корректную работу прибора.

Рекомендуем:

- 1) Использовать кипяченую или дистиллированную воду.
- 2) Очищать датчик, резервуар для воды и нижний резервуар для воды каждую неделю.
- 3) Часто менять воду в резервуаре.
- 4) Обязательно сливать воду из резервуаров и просушивать прибор перед длительным хранением.
- 5) Перед использованием полностью очистить прибор и просушить все его детали.

Если есть утечка воды из нижней части резервуара, из той части, где находится пружина, нажмите и отпустите пружину пару раз, чтобы удалить остатки извести, которые могут вызвать утечку.

Очистка фильтра



- 1) Очищайте керамический фильтр после каждого использования 1000 л воды. В зависимости от качества воды, если керамические шарики загрязнились быстрее, фильтр необходимо очищать чаще.
- 2) Окуните фильтр в уксус примерно на 5 минут. Затем промойте чистой водой.
- 3) Поместите фильтр на солнце на 4-6 часов.
- 4) Сменные фильтры можно приобрести на сайте www.buyspareparts.eu

Очистка датчика

- 1) Нанесите 5-10 капель средства от накипи или лимонной кислоты на поверхность датчика; подождите 2-5 минут.
- 2) Очистите поверхность щеткой, а затем промойте датчик водой.

Очистка нижнего резервуара для воды

- 1) Очистите нижний резервуар для воды мягкой тканью и используйте средство для удаления накипи или лимонную кислоту.
- 2) В случае, если в нижнем резервуаре для воды появились известняковые отложения, капните на них средство для удаления накипи или лимонную кислоту и очистите щеткой.
- 3) Промойте резервуар водой.

УСТРАНЕНИЕ НЕИСПРАВНОСТЕЙ

Ниже представлены основные проблемы, которые могут появиться при нормальной эксплуатации прибора, и возможные способы их решения:

Проблема	Возможная причина	Возможное решение
Появление влаги на полу вокруг прибора	Прибор установлен слишком высоко, воздух не может впитать влагу, поэтому влага капает вниз	Уменьшите испарение
Странный запах пара	При первом включении прибора возможно появление запаха пластика	Вылейте воду из прибора, откройте крышку, дайте выключенному прибору постоять 12 часов
	Используется грязная вода или вода долгое время находилась в приборе	Очистите резервуар для воды, наполните его чистой водой

	Остаточный запах от ароматического масла	Вытащите хлопковое покрытие, промойте под чистой водой и просушите
Недостаточный выход пара	В нижнем резервуаре для воды появилось большое количество осадка	Очистите датчик и нижний резервуар для воды
	Используется грязная вода или вода долгое время находилась в приборе	Очистите резервуар для воды, наполните его чистой водой
	Заблокировано сопло	Проверьте, чем заблокировано сопло и разблокируйте его
	В помещении осуществляется естественная или искусственная замена воздуха, препятствующая повышению % относительной влажности	Закройте окна и двери Убедитесь, что в помещении не работает кондиционер
Появление ненормальных звуков	Резонирующий звук в резервуаре для воды при слишком низком уровне воды	Долейте воду в резервуар
	Прибор установлен на неустойчивой поверхности	Установите прибор на устойчивую поверхность
Появление конденсата в помещении	В помещении слишком низкая температура	Увеличьте температуру в помещении
Внезапно перестает выходить пар	Световой индикатор горит красным	Наполните резервуар водой
	Истек установленный период времени	Выключите прибор
	Достигнут нужный уровень относительной влажности в помещении	---
Не работает панель управления	Вы работаете с панелью слишком влажными руками	Работайте с панелью только полностью сухими руками
Вокруг прибора появляется белая пыль	Используемая вода имеет высокое содержание минералов	Используйте для прибора дистиллированную воду. Если дистиллированной воды нет в наличии, используйте очищенную или фильтрованную воду. Не забывайте производить очистку резервуара для воды не реже одного раза в неделю
	Прибор не был должным образом очищен после последнего использования	Произведите очистку прибора
При включенном приборе световой индикатор горит синим, но пар не выходит	Достигнут нужный уровень относительной влажности в помещении	Увеличьте желаемый уровень относительной влажности в помещении

Световой индикатор горит красным	Резервуар для воды пуст	Заполните резервуар водой и подождите не менее 1 минуты
	Слишком низкий уровень воды	
	В нижнем резервуаре еще не достигнут нужный уровень воды	Подождите не менее 1 минуты
	Неправильно установлен резервуар для воды	Правильно установите резервуар для воды на основание
	Прибор установлен на неустойчивой поверхности	Проверьте установку прибора

ТЕХНИЧЕСКИЕ ХАРАКТЕРИСТИКИ

Рабочий диапазон: 220V-240V ~ 50Hz/60Hz

Мощность: 30W

ГАРАНТИЯ И ОБСЛУЖИВАНИЕ КЛИЕНТОВ

Перед поставкой наши приборы подвергаются строгому контролю качества. Если, несмотря на все меры предосторожности, во время производства или транспортировки произошло повреждение, пожалуйста, верните устройство вашему дилеру. В дополнение к правам, установленным Законодательством, покупатель имеет возможность требовать следующей гарантии:

На приобретенное устройство мы предоставляем гарантию 2 год, начиная со дня продажи. Если у вас есть дефектный продукт, вы можете сразу вернуть его в пункт покупки.

Дефекты, возникающие в результате неправильного обращения с устройством, а также неисправности, вызванные вмешательством и ремонтом третьих лиц или установкой неоригинальных деталей, не покрываются настоящей гарантией. Всегда храните квитанцию, без квитанции вы не можете претендовать на какую-либо форму гарантии. В случае ущерба, вызванного несоблюдением инструкции по эксплуатации – гарантия аннулируется, если это приведет к косвенным повреждениям, в этом случае производитель не несет ответственность. Мы также не несем ответственности за материальный ущерб или телесные повреждения, вызванные неправильным использованием или неправильным выполнением инструкции по эксплуатации. Повреждение аксессуаров не означает бесплатную замену всего прибора. В таком случае, пожалуйста, свяжитесь с нашим отделом обслуживания. Разбитое стекло или поломка пластиковых деталей всегда подлежат оплате. Дефекты расходных материалов или деталей, подверженных износу, а также чистка, техническое обслуживание или замена указанных деталей не покрываются гарантией и подлежат оплате.

БЕЗОПАСНАЯ УТИЛИЗАЦИЯ В ОКРУЖАЮЩЕЙ СРЕДЕ



Переработка отходов - европейская директива 2012/19/EU

Эта маркировка указывает на то, что данный продукт не следует утилизировать вместе с другими бытовыми отходами. Чтобы предотвратить возможный вред окружающей среде или здоровью человека от неконтролируемого удаления отходов, утилизируйте их ответственно, чтобы способствовать устойчивому повторному использованию материальных ресурсов.

Emerio Deutschland GmbH (no service address)

Lerchenweg 3

40789 Monheim am Rhein

Deutschland

Служба поддержки клиентов:

Тел.: +49 (0) 3222 1097 600

Эл. почта: info.de@emerio.eu